

Silicon NPN Power Transistors

2SD1403

DESCRIPTION

www.datasheet4u.com

- With TO-3PN package
- High speed switching
- High voltage,high reliability
- Wide area of safe operation

APPLICATIONS

- For CRT horizontal output applications

PINNING

| PIN | DESCRIPTION |
|-----|--------------------------------------|
| 1 | Base |
| 2 | Collector;connected to mounting base |
| 3 | Emitter |

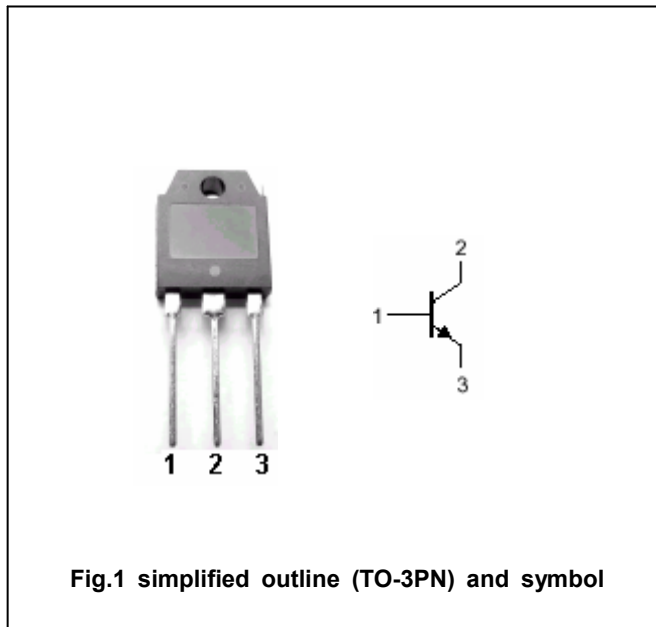


Fig.1 simplified outline (TO-3PN) and symbol

Absolute maximum ratings (Ta=25°C)

| SYMBOL | PARAMETER | CONDITIONS | VALUE | UNIT |
|------------------|-----------------------------|----------------------|---------|------|
| V _{CBO} | Collector-base voltage | Open emitter | 1500 | V |
| V _{CEO} | Collector-emitter voltage | Open base | 800 | V |
| V _{EBO} | Emitter-base voltage | Open collector | 6 | V |
| I _C | Collector current | | 6 | A |
| P _C | Collector power dissipation | T _C =25°C | 120 | W |
| T _j | Junction temperature | | 150 | °C |
| T _{stg} | Storage temperature | | -55~150 | °C |

Silicon NPN Power Transistors

2SD1403

CHARACTERISTICS

T_j=25°C unless otherwise specified

www.datasheet4u.com

| SYMBOL | PARAMETER | CONDITIONS | MIN | TYP. | MAX | UNIT |
|-----------------------|--------------------------------------|------------------------------------------|-----|------|-----|------|
| V _{CEO(SUS)} | Collector-emitter sustaining voltage | I _C =100mA; I _B =0 | 800 | | | V |
| V _{(BR)EBO} | Emitter-base breakdown voltage | I _E =1mA; I _C =0 | 6 | | | V |
| V _{CEsat} | Collector-emitter saturation voltage | I _C =5A; I _B =1A | | | 5.0 | V |
| V _{BEsat} | Base-emitter saturation voltage | I _C =5A; I _B =1A | | | 1.5 | V |
| I _{CBO} | Collector cut-off current | V _{CB} =800V; I _E =0 | | | 10 | μA |
| I _{EBO} | Emitter cut-off current | V _{EB} =4V; I _C =0 | | | 10 | μA |
| h _{FE} | DC current gain | I _C =1A; V _{CE} =5V | 8 | | | |
| f _T | Transition frequency | I _C =1A; V _{CE} =10V | | 3 | | MHz |

Silicon NPN Power Transistors

2SD1403

PACKAGE OUTLINE

www.datasheet4u.com

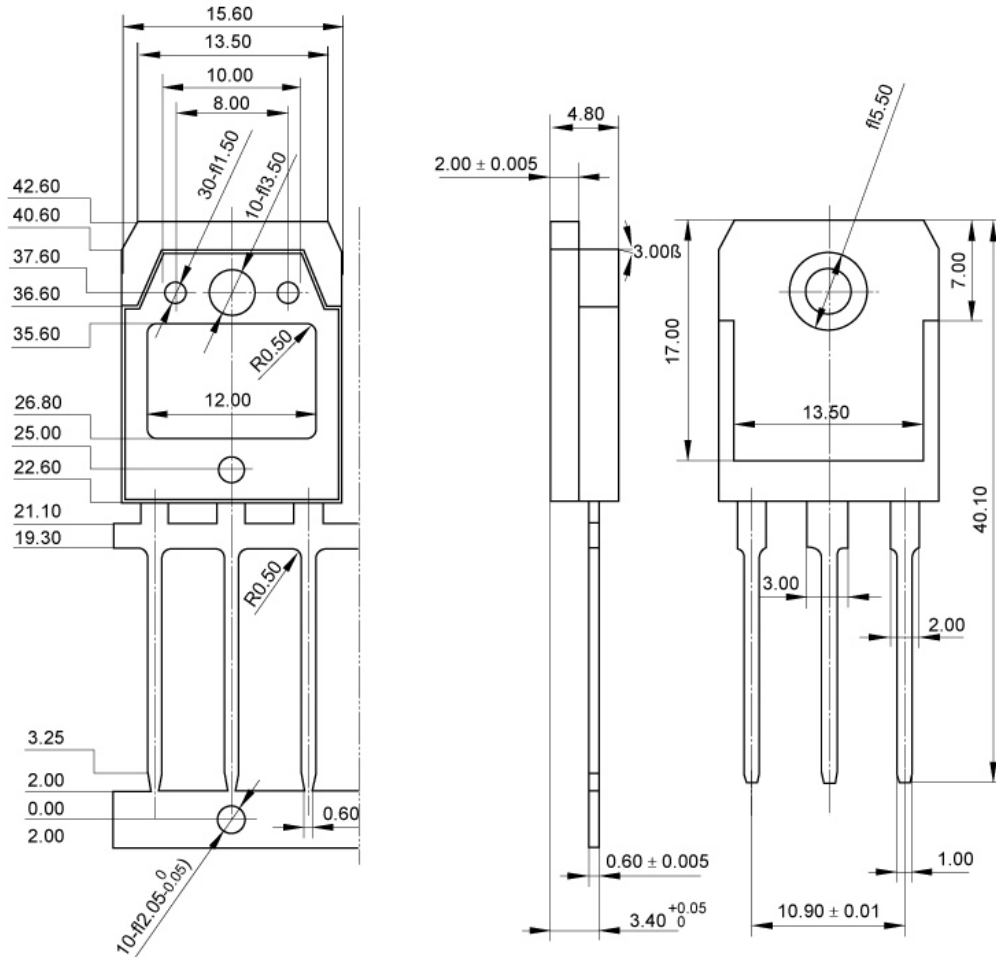


Fig.2 outline dimensions (unindicated tolerance:±0.10 mm)