

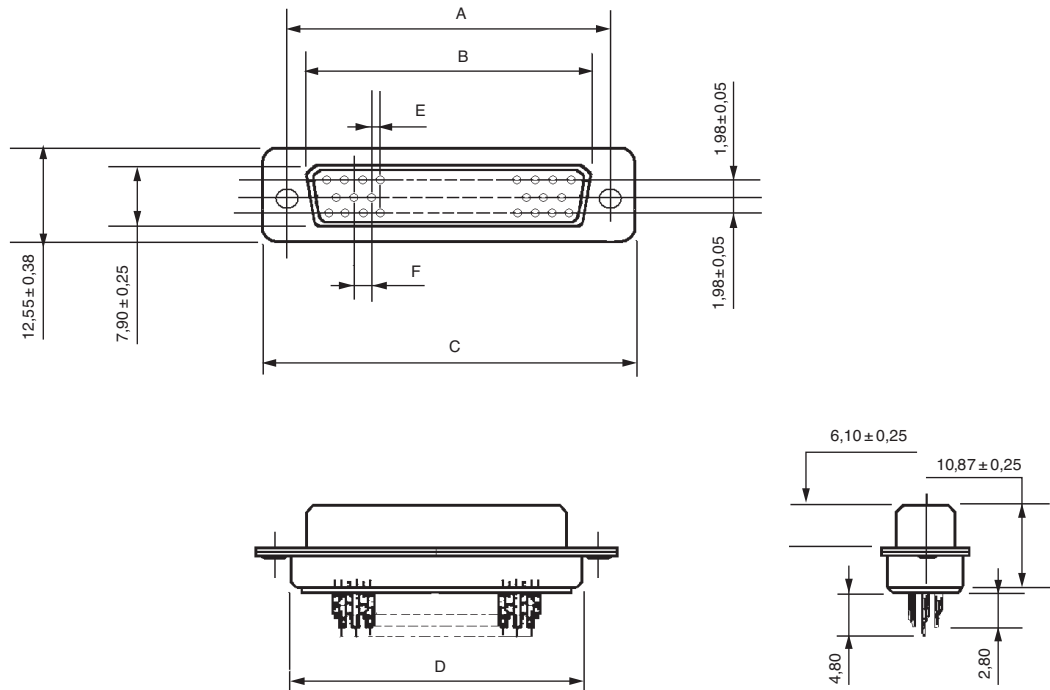
Receptacle 15 – 26 – 44 - 62 contacts



**Designation**

Shell size / Arrangement	Through hole	Captive nut thread 4-40	Screwlock thread 4-40
E / 15	ZDEA15S	ZDEAE15S	ZDEAE15S-AB
A / 26	ZDAA26S	ZDAAE26S	ZDAAE26S-AB
B / 44	ZDBA44S	ZDBAE44S	ZDBAE44S-AB
C / 62	ZDCA62S	ZDCAE62S	ZDCAE62S-AB

**Note:** Class 2 - Add suffix A191 Example: ZDEA15S-A191



Shell	A ± 0,13	B ± 0,25	C ± 0,38	D ± 0,25	E ± 0,05	F ± 0,05
E	24,99	16,33	30,89	19,28	1,145	2,29
A	33,32	24,66	39,10	27,51	1,145	2,29
B	47,04	38,38	53,09	41,30	1,145	2,29
C	63,50	54,84	69,40	57,71	1,145	2,29

- Mounting options, page 38
- Panel cutout, page 39
- Accessories, page 33

