

NOTES:-
 1. THE "LF" PRODUCTS MEET EUROPEAN UNION DIRECTIVES AND OTHER COUNTRY REGULATIONS AS DESCRIBED IN GS-22-008
 2. LEAD FREE OR RoHS DIRECTIVE LABELING TO BE PROVIDED AS PER GS-14-920 FOR RoHS COMPATIBLE VERSION.

PERFORMANCES CHARACTERISTICS

VOLTAGE RATING : 250 VAC (rms)
 CURRENT RATING : 1,5 A AT 25 °C, 1 A AT 70 °C.
 INSULATION RESISTANCE : 1000 MΩ INITIAL, 100 MΩ MIN. AFTER TEST
 DIELECTRIC WITH-
 STANDING VOLTAGE : 1000 VAC (rms).
 CONTACT RESISTANCE : 15 mΩ MAX. INITIAL, 5 mΩ MAX. RISE OF INITIAL VALUE AFTER TEST.
 OPERATING TEMPERATURE*: -40 °C TO +125 °C.
 INSERTION FORCE : 1 N MAX./CONTACT.
 WITHDRAWAL FORCE : 0,2 N MIN./CONTACT.
 *DEPENDING ON THE CABLE, THE MAX. TEMPERATURE CAN BE LOWER.
 FOR STANDARD PVC INSULATED CABLE : 105 °C MAX.

CONSTRUCTION

BODY MATERIAL : GLASS-REINFORCED THERMOPLASTIC (UL94V-0).
 COVER MATERIAL : POLYESTER (PBTP), COLOUR : BLACK.
 CONTACT MATERIAL : PHOSPHOR BRONZE.
 CONTACT FINISH : Au OVER Ni IN CONTACT AREA
 SnPb on I.D.C. TERMINAL FOR LEADED PRODUCTS.
 Sn (MATTE TIN) ON I.D.C TERMINAL FOR LEAD FREE PRODUCTS.
 Z0 : PERFORMANCE LEVEL PER DIN41612 CLASS 3
 Z1 : PERFORMANCE LEVEL PER DIN41612 CLASS 2
 E9 : PERFORMANCE LEVEL PER DIN41612 CLASS 1
 OTHERS : CONSULT FCI
 TIE-WRAP : OPTIONAL (PART N°. TF3)

PART NUMBERS

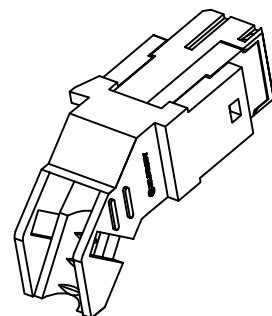
BPS8B09FLD0C0----- CONNECTOR FOR WIRE SIZE AWG28, AWG30.
 (CONTACT IDENTIFICATION : 0).
 BPS8B09FLD2C0----- CONNECTOR FOR WIRE SIZE AWG24, AWG26
 (CONTACT IDENTIFICATION : 2).

AWG WIRE SIZE MARKING

BPS8B09FLD0C0-- : 28/30
 BPS8B09FLD0C0--LF : 28/30
 BPS8B09FLD2C0-- : 24/26
 BPS8B09FLD2C0--LF : 24/26

DATECODE MARKING

A + YEAR & WEEKCODE, EXAMPLE : A9950.

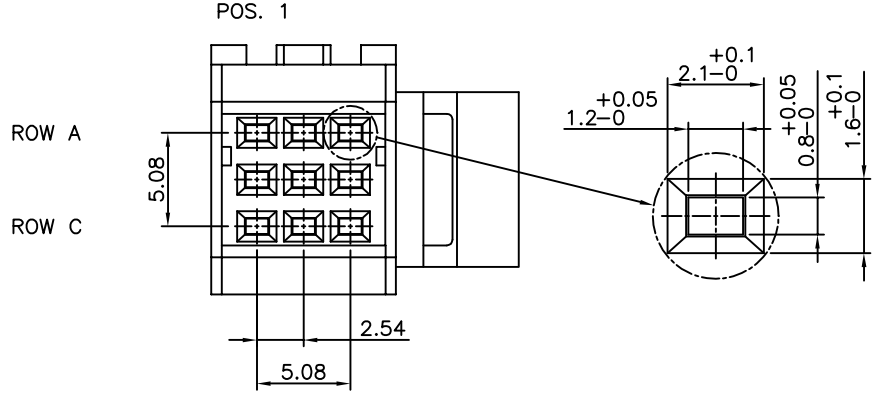
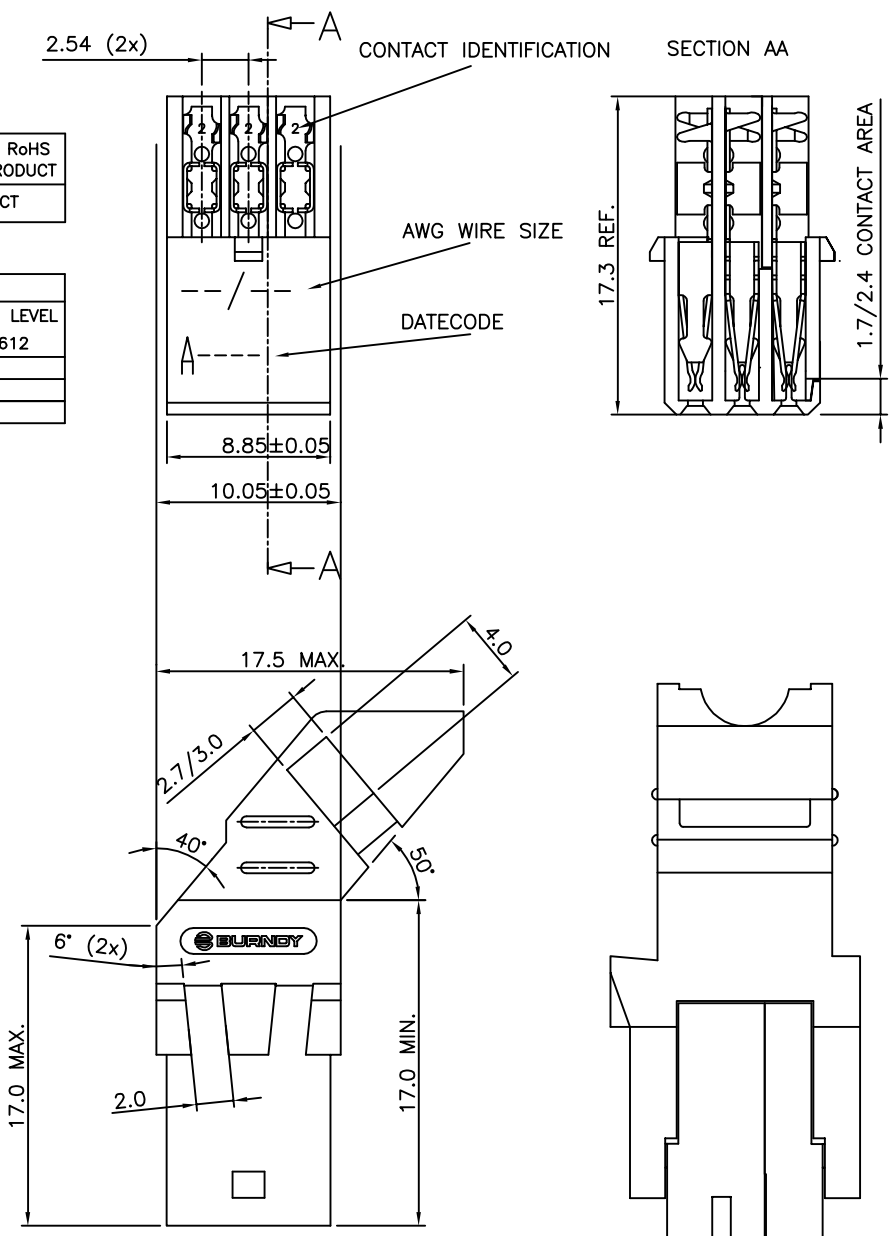
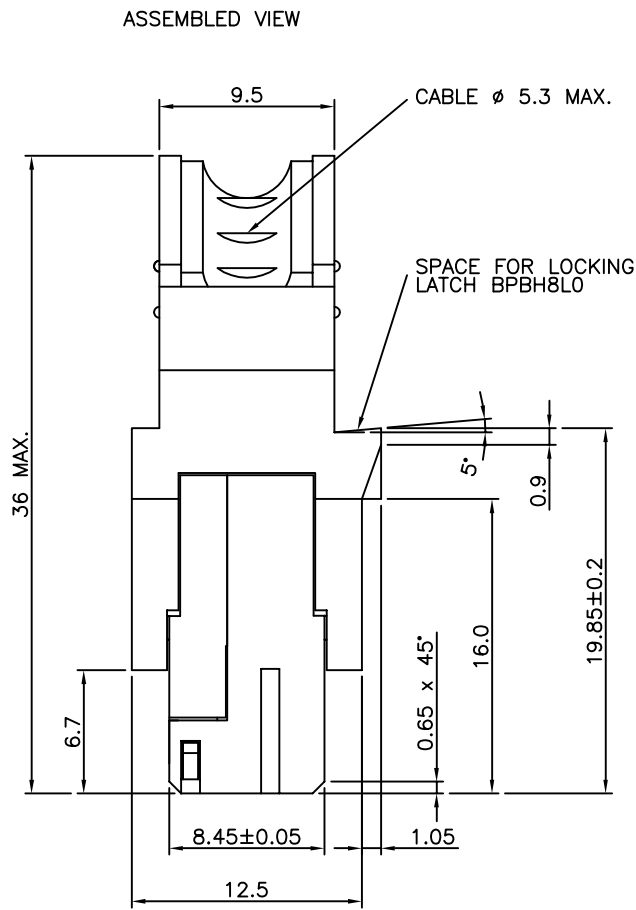


PRODUCT NUMBER BPS8B09FLD-C0

WITH "LF" SUFFIX	LEAD FREE OR RoHS COMPATIBLE PRODUCT
WITHOUT SUFFIX	LEADED PRODUCT

PRODUCT NUMBER	WIRE SIZE	CONTACT IDENTIFICATION
BPS8B09FLD0C0--	AWG28/30	0
BPS8B09FLD2C0--	AWG24/26	2

PLATING CODE	PERFORMANCE LEVEL PER DIN41612
Z0	CLASS 3
Z1	CLASS 2
E9	CLASS 1



mat'l. code		surface		tolerance		projection		product family	
SEE NOTE		ISO 1302		ISO 406 ISO 1101		mm		BPS8	
litr ecn no dr date		tolerances unless otherwise specified		angles linear		mm		title	
A	F00819	DLE	2000-10-23	±1°		mm		ASSY BPS8	
B	I05-0123	MINI	2005-07-27	±1°		mm		09 POS. A,B,C LOADED	
C	I06-0067	MINI	2006-06-01	±1°		mm		scale -	
sheet index		revision sheet		C C C C		dr D.LEGRAND 2000-10-23		dwg no sheet 1 of 4 size	
						enr J.F.NOTTEAU 2000-10-23		55350 A3	
						chr RAKHEE GEORGE 2006-06-01		type Product Customer Drawing	
						appd RAKHEE GEORGE 2006-06-01			



Copyright FCI

PRODUCT NUMBER BPS8B09FLD-00-----

WITH "LF" SUFFIX	LEAD FREE OR RoHS COMPATIBLE PRODUCT
WITHOUT SUFFIX	LEADED PRODUCT

WIRE ACCOMODATION		
PRODUCT NUMBER	WIRE SIZE	CONTACT IDENTIFICATION
BPS8B09FLD000--	AWG28/30	0
BPS8B09FLD200--	AWG24/26	2

CONTACT PLATING	
PLATING CODE	PERFORMANCE LEVEL PER DIN41612
Z0	CLASS 3
Z1	CLASS 2
E9	CLASS 1

NOTES:-
 1. THE "LF" PRODUCTS MEET EUROPEAN UNION DIRECTIVES AND OTHER COUNTRY REGULATIONS AS DESCRIBED IN GS-22-008
 2. LEAD FREE OR RoHS DIRECTIVE LABELING TO BE PROVIDED AS PER GS-14-920 FOR RoHS COMPATIBLE VERSION.

PERFORMANCES CHARACTERISTICS

VOLTAGE RATING : 250 VAC (rms)
 CURRENT RATING : 1,5 A AT 25 °C, 1 A AT 70 °C.
 INSULATION RESISTANCE : 1000 MΩ INITIAL, 100 MΩ MIN. AFTER TEST
 DIELECTRIC WITH-
 STANDING VOLTAGE : 1000 VAC (rms).
 CONTACT RESISTANCE : 15 mΩ MAX. INITIAL, 5 mΩ MAX. RISE OF INITIAL VALUE AFTER TEST.
 OPERATING TEMPERATURE*: -40 °C TO +125 °C.
 INSERTION FORCE : 1 N MAX./CONTACT.
 WITHDRAWAL FORCE : 0,2 N MIN./CONTACT.

*DEPENDING ON THE CABLE, THE MAX. TEMPERATURE CAN BE LOWER.
 FOR STANDARD PVC INSULATED CABLE : 105 °C MAX.

CONSTRUCTION

BODY MATERIAL : GLASS-REINFORCED THERMOPLASTIC (UL94V-0).
 CONTACT MATERIAL : PHOSPHOR BRONZE.
 CONTACT FINISH : Au OVER Ni IN CONTACT AREA
 SnPb ON I.D.C. TERMINAL FOR LEADED PRODUCTS.
 Sn (MATTE TIN) ON I.D.C. TERMINAL FOR LEAD FREE PRODUCTS.
 Z0 : PERFORMANCE LEVEL PER DIN41612 CLASS 3
 Z1 : PERFORMANCE LEVEL PER DIN41612 CLASS 2
 E9 : PERFORMANCE LEVEL PER DIN41612 CLASS 1
 OTHERS : CONSULT FCI

PART NUMBERS

BPS8B09FLD000----- CONNECTOR FOR WIRE SIZE AWG28, AWG30.
 (CONTACT IDENTIFICATION : 0).
 BPS8B09FLD200----- CONNECTOR FOR WIRE SIZE AWG24, AWG26
 (CONTACT IDENTIFICATION : 2).

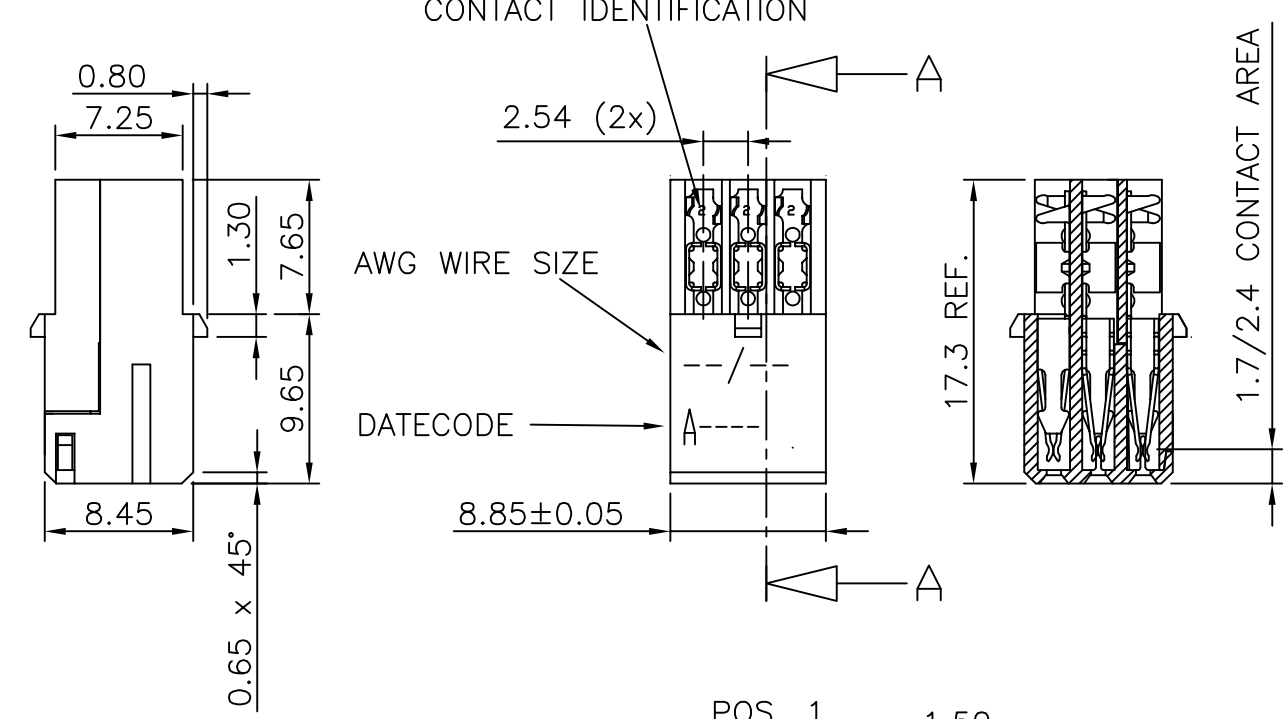
AWG WIRE SIZE MARKING

BPS8B09FLD000-- : 28/30
 BPS8B09FLD000--LF : 28/30
 BPS8B09FLD200-- : 24/26
 BPS8B09FLD200--LF : 24/26

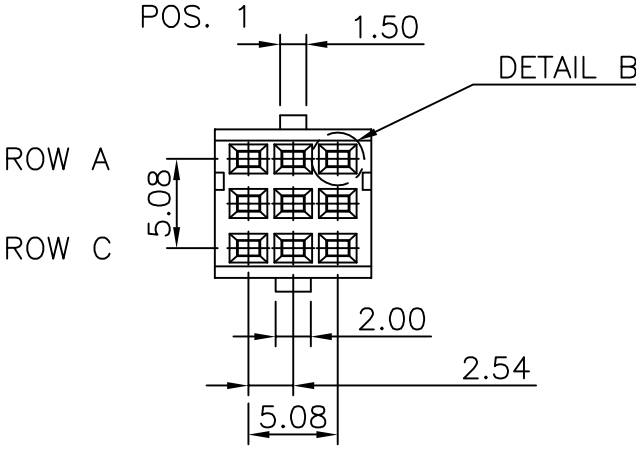
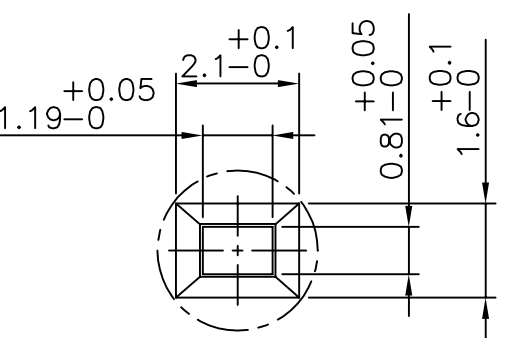
DATECODE MARKING

A + YEAR & WEEKCODE, EXAMPLE : A9950.

SECTION AA



DETAIL B



mat'l. code		surface		tolerance		projection		product family	
SEE NOTE		ISO 1302		ISO 406 ISO 1101		mm		BPS8	
ltr	ecn no	dr	date	tolerances unless otherwise specified		mm		title	
A	F00819	DLE	2000-10-19	angles	linear	mm		ASSY BPS8	
B	I05-0123	MINI	2005-07-27			mm		09 POS. A,B,C LOADED	
C	I06-0067	MINI	2006-06-01	±1'			scale -		
		dr	D.LEGRAND	2000-10-19		FCI		dwg no	
		enr	J.F.NOTTEAU	2000-10-19				sheet 2 of 4	
		chr	RAKHEE GEORGE	2006-06-01				55350	
		appd	RAKHEE GEORGE	2006-06-01				size	
								A3	
sheet index		revision sheet						type	
								Product Customer Drawing	



Copyright FCI

NOTES:-
 1. THE "LF" PRODUCTS MEET EUROPEAN UNION DIRECTIVES AND OTHER COUNTRY REGULATIONS AS DESCRIBED IN GS-22-008
 2. LEAD FREE OR RoHS DIRECTIVE LABELING TO BE PROVIDED AS PER GS-14-920 FOR RoHS COMPATIBLE VERSION.

PERFORMANCES CHARACTERISTICS

VOLTAGE RATING : 250 VAC (rms)
 CURRENT RATING : 1,5 A AT 25 °C, 1 A AT 70 °C.
 INSULATION RESISTANCE : 1000 MΩ INITIAL, 100 MΩ MIN. AFTER TEST
 DIELECTRIC WITH-
 STANDING VOLTAGE : 1000 VAC (rms).
 CONTACT RESISTANCE : 15 mΩ MAX. INITIAL, 5 mΩ MAX. RISE OF INITIAL VALUE AFTER TEST.
 OPERATING TEMPERATURE*: -40 °C TO +125 °C.
 INSERTION FORCE : 1 N MAX./CONTACT.
 WITHDRAWAL FORCE : 0,2 N MIN./CONTACT.
 *DEPENDING ON THE CABLE, THE MAX. TEMPERATURE CAN BE LOWER.
 FOR STANDARD PVC INSULATED CABLE : 105 °C MAX.

CONSTRUCTION

BODY MATERIAL : GLASS-REINFORCED THERMOPLASTIC (UL94V-0).
 COVER MATERIAL : Ni PLATED ABS MATERIAL.
 CONTACT MATERIAL : PHOSPHOR BRONZE.
 CONTACT FINISH : Au OVER Ni IN CONTACT AREA
 SnPb ON I.D.C. TERMINAL FOR LEADED PRODUCTS.
 Sn (MATTE TIN) ON I.D.C. TERMINAL FOR LEAD FREE PRODUCTS.
 Z0 : PERFORMANCE LEVEL PER DIN41612 CLASS 3
 Z1 : PERFORMANCE LEVEL PER DIN41612 CLASS 2
 E9 : PERFORMANCE LEVEL PER DIN41612 CLASS 1
 OTHERS : CONSULT FCI
 TIE-WRAP : OPTIONAL (PART N°. TF3)

PART NUMBERS

BPS8B09FLD0M0---- CONNECTOR FOR WIRE SIZE AWG28, AWG30.
 (CONTACT IDENTIFICATION : 0).
 BPS8B09FLD2M0---- CONNECTOR FOR WIRE SIZE AWG24, AWG26
 (CONTACT IDENTIFICATION : 2).

AWG WIRE SIZE MARKING

BPS8B09FLD0M0-- : 28/30.
 BPS8B09FLD0M0--LF : 28/30.
 BPS8B09FLD2M0-- : 24/26.
 BPS8B09FLD2M0--LF : 24/26.

DATECODE MARKING

A + YEAR & WEEKCODE, EXAMPLE : A9950.

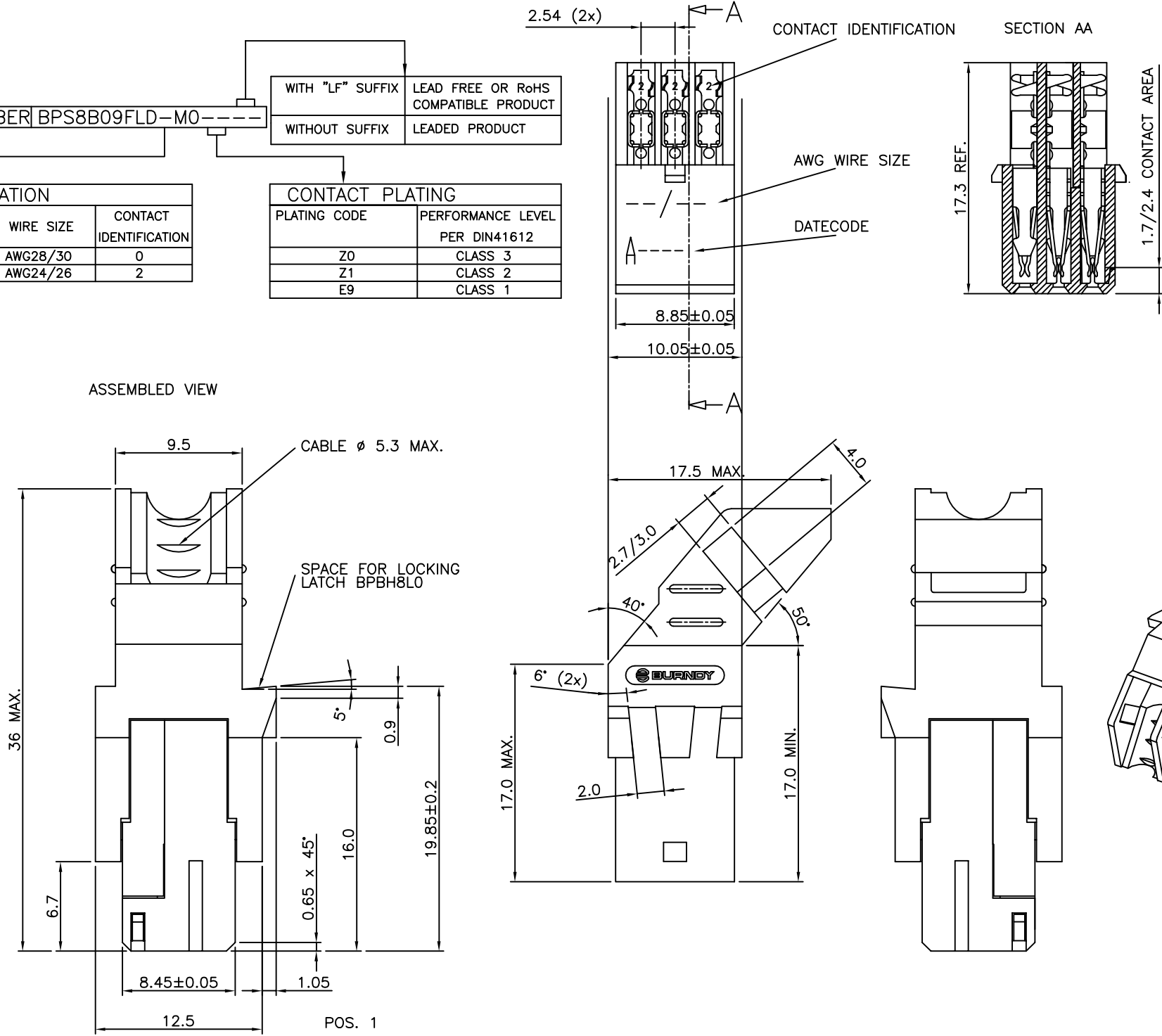
mat'l. code	surface	tolerance	projection	product family												
SEE NOTE	ISO 1302 ✓	ISO 406 ISO 1101		BPS8												
ltr	ecn no	dr	date	title												
A	F00819	DLE	2000-10-23	ASSY BPS8 09 POS. A,B,C LOADED												
B	I05-0123	MINI	2005-07-27													
C	I06-0067	MINI	2006-06-01													
<table border="1"> <tr> <td>tolerances unless otherwise specified</td> <td>angles</td> <td>linear</td> <td>mm</td> </tr> <tr> <td>0.1±0.2</td> <td>±1°</td> <td></td> <td></td> </tr> <tr> <td>0.01±0.1</td> <td></td> <td></td> <td></td> </tr> </table>				tolerances unless otherwise specified	angles	linear	mm	0.1±0.2	±1°			0.01±0.1				scale -
tolerances unless otherwise specified	angles	linear	mm													
0.1±0.2	±1°															
0.01±0.1																
<table border="1"> <tr> <td>dr</td> <td>D.LEGRAND</td> <td>2000-10-23</td> </tr> <tr> <td>enr</td> <td>J.F.NOTTEAU</td> <td>2000-10-23</td> </tr> <tr> <td>chr</td> <td>RAKHEE GEORGE</td> <td>2006-06-01</td> </tr> <tr> <td>appd</td> <td>RAKHEE GEORGE</td> <td>2006-06-01</td> </tr> </table>				dr	D.LEGRAND	2000-10-23	enr	J.F.NOTTEAU	2000-10-23	chr	RAKHEE GEORGE	2006-06-01	appd	RAKHEE GEORGE	2006-06-01	 dwg no 55350 sheet 3 of 4 size A3
dr	D.LEGRAND	2000-10-23														
enr	J.F.NOTTEAU	2000-10-23														
chr	RAKHEE GEORGE	2006-06-01														
appd	RAKHEE GEORGE	2006-06-01														
type Product Customer Drawing																

sheet index	revision sheet																			
-------------	----------------	--	--	--	--	--	--	--	--	--	--	--	--	--	--	--	--	--	--	--

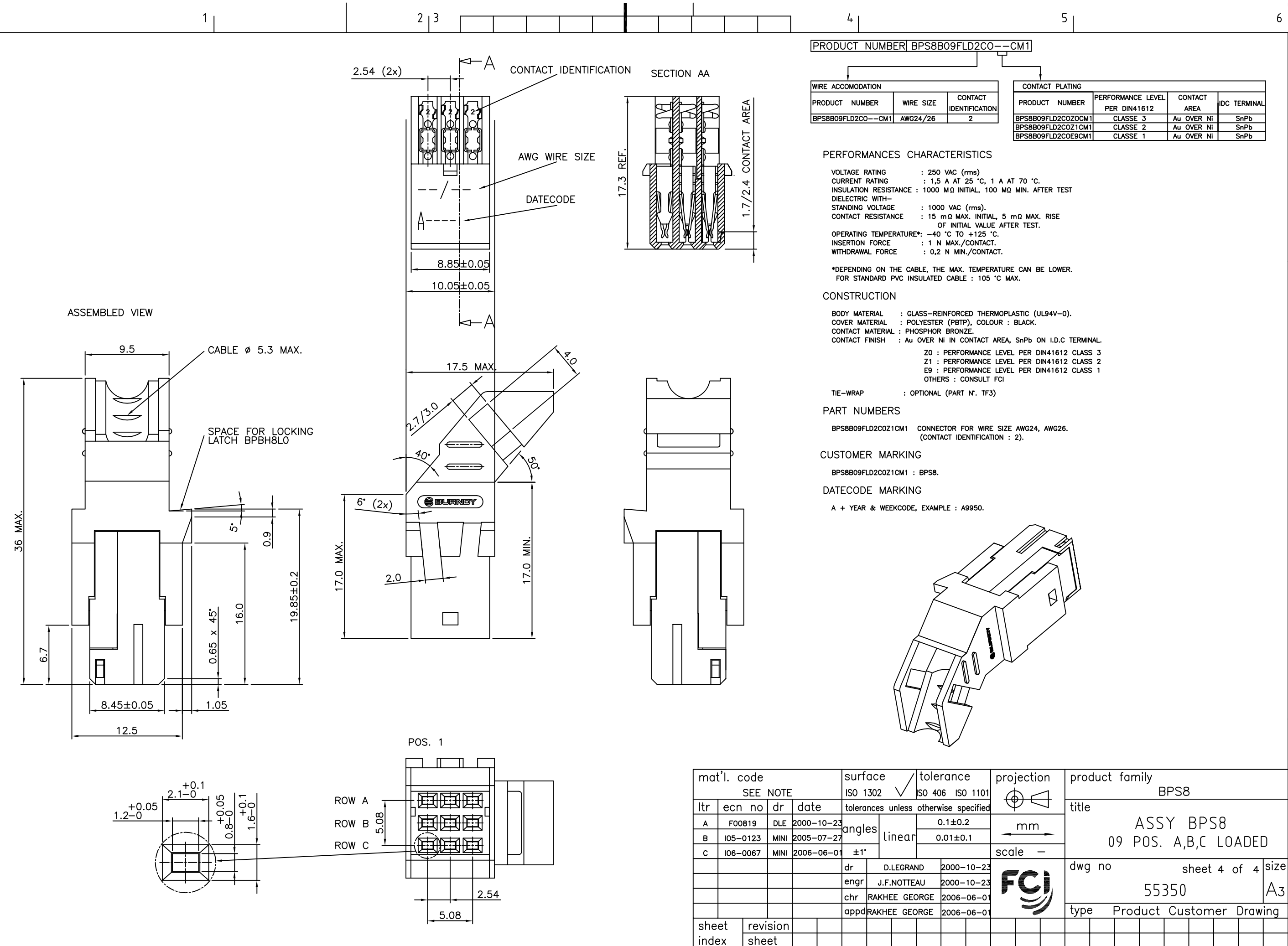
PRODUCT NUMBER BPS8B09FLD-M0		
WITH "LF" SUFFIX	LEAD FREE OR RoHS COMPATIBLE PRODUCT	
WITHOUT SUFFIX	LEADED PRODUCT	

WIRE ACCOMODATION		
PRODUCT NUMBER	WIRE SIZE	CONTACT IDENTIFICATION
BPS8B09FLD0M0--	AWG28/30	0
BPS8B09FLD2M0--	AWG24/26	2

CONTACT PLATING	
PLATING CODE	PERFORMANCE LEVEL PER DIN41612
Z0	CLASS 3
Z1	CLASS 2
E9	CLASS 1



Copyright FCI



PRODUCT NUMBER BPS8B09FLD2CO--CM1

WIRE ACCOMODATION		
PRODUCT NUMBER	WIRE SIZE	CONTACT IDENTIFICATION
BPS8B09FLD2CO--CM1	AWG24/26	2

CONTACT PLATING			
PRODUCT NUMBER	PERFORMANCE LEVEL PER DIN41612	CONTACT AREA	IDC TERMINAL
BPS8B09FLD2COZOCM1	CLASSE 3	Au OVER Ni	SnPb
BPS8B09FLD2COZ1CM1	CLASSE 2	Au OVER Ni	SnPb
BPS8B09FLD2COE9CM1	CLASSE 1	Au OVER Ni	SnPb

PERFORMANCES CHARACTERISTICS

VOLTAGE RATING : 250 VAC (rms)
 CURRENT RATING : 1,5 A AT 25 °C, 1 A AT 70 °C.
 INSULATION RESISTANCE : 1000 MΩ INITIAL, 100 MΩ MIN. AFTER TEST
 DIELECTRIC WITH-
 STANDING VOLTAGE : 1000 VAC (rms).
 CONTACT RESISTANCE : 15 mΩ MAX. INITIAL, 5 mΩ MAX. RISE OF INITIAL VALUE AFTER TEST.
 OPERATING TEMPERATURE*: -40 °C TO +125 °C.
 INSERTION FORCE : 1 N MAX./CONTACT.
 WITHDRAWAL FORCE : 0,2 N MIN./CONTACT.

*DEPENDING ON THE CABLE, THE MAX. TEMPERATURE CAN BE LOWER.
 FOR STANDARD PVC INSULATED CABLE : 105 °C MAX.

CONSTRUCTION

BODY MATERIAL : GLASS-REINFORCED THERMOPLASTIC (UL94V-0).
 COVER MATERIAL : POLYESTER (PBTP), COLOUR : BLACK.
 CONTACT MATERIAL : PHOSPHOR BRONZE.
 CONTACT FINISH : Au OVER Ni IN CONTACT AREA, SnPb ON I.D.C TERMINAL.
 Z0 : PERFORMANCE LEVEL PER DIN41612 CLASS 3
 Z1 : PERFORMANCE LEVEL PER DIN41612 CLASS 2
 E9 : PERFORMANCE LEVEL PER DIN41612 CLASS 1
 OTHERS : CONSULT FCI

TIE-WRAP : OPTIONAL (PART N°. TF3)

PART NUMBERS

BPS8B09FLD2COZ1CM1 CONNECTOR FOR WIRE SIZE AWG24, AWG26.
 (CONTACT IDENTIFICATION : 2).

CUSTOMER MARKING

BPS8B09FLD2COZ1CM1 : BPS8.

DATECODE MARKING

A + YEAR & WEEKCODE, EXAMPLE : A9950.

mat'l. code		surface		tolerance		projection		product family	
SEE NOTE		ISO 1302		ISO 406 ISO 1101		mm		BPS8	
ltr	ecn no	dr	date	tolerances unless otherwise specified		mm		title	
A	F00819	DLE	2000-10-23	angles	linear	mm		ASSY BPS8	
B	I05-0123	MINI	2005-07-27	±1°		mm		09 POS. A,B,C LOADED	
C	I06-0067	MINI	2006-06-01	±1°		scale -		dwg no	
		dr	D.LEGRAND	2000-10-23		FCI		sheet 4 of 4	
		engr	J.F.NOTTEAU	2000-10-23				55350	
		chr	RAKHEE GEORGE	2006-06-01				size	
		appd	RAKHEE GEORGE	2006-06-01				A3	
sheet index		revision sheet						type	
								Product Customer Drawing	