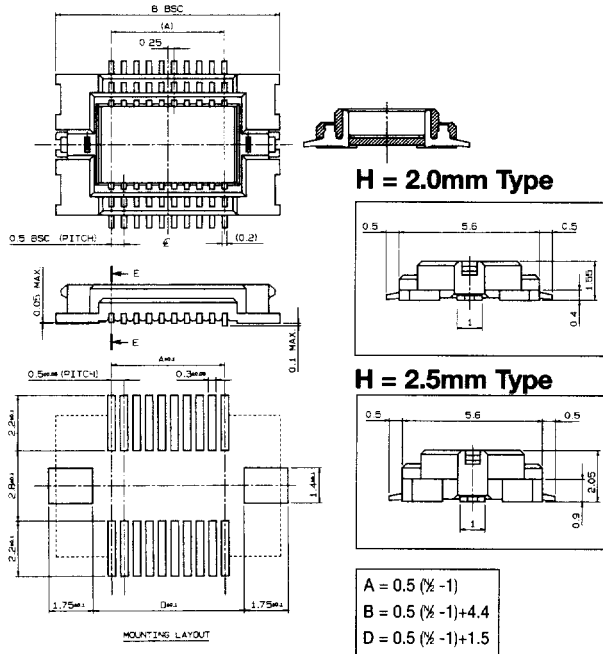


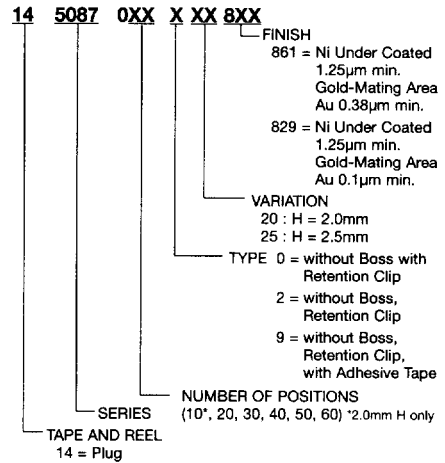
Super Micro Connectors 0.5mm Pitch



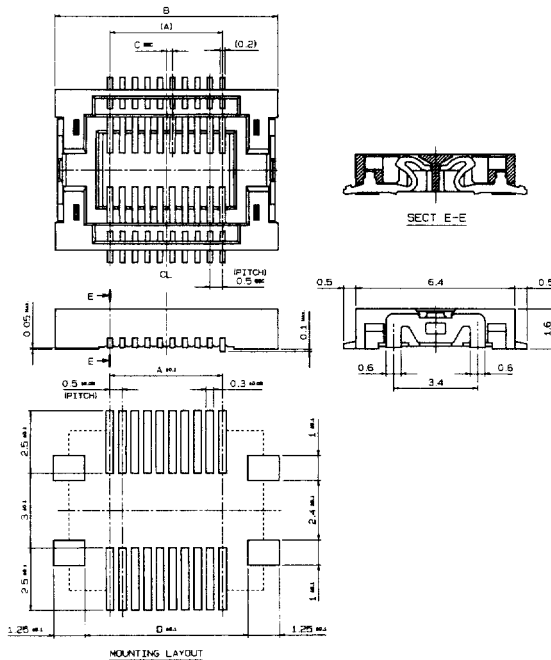
Series 5087 Plug



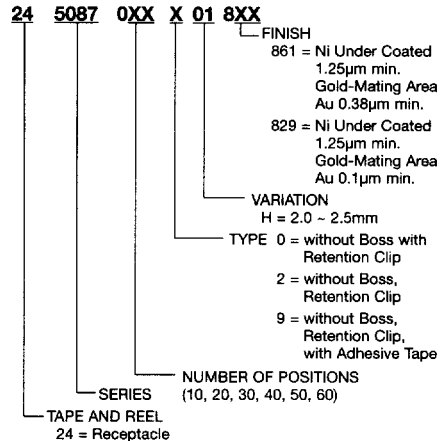
ORDERING CODE



Series 5087 Receptacle H = 2.0 ~ 2.5mm Type



ORDERING CODE



Additional information on this product is available from AVX's catalog or AVX's FAX Service. Call 1-800-879-1613 and request document #271. Visit our website <http://www.avxcorp.com>

