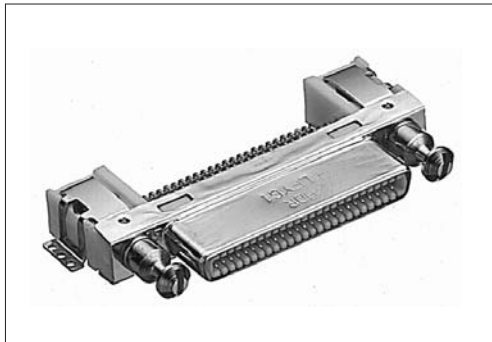


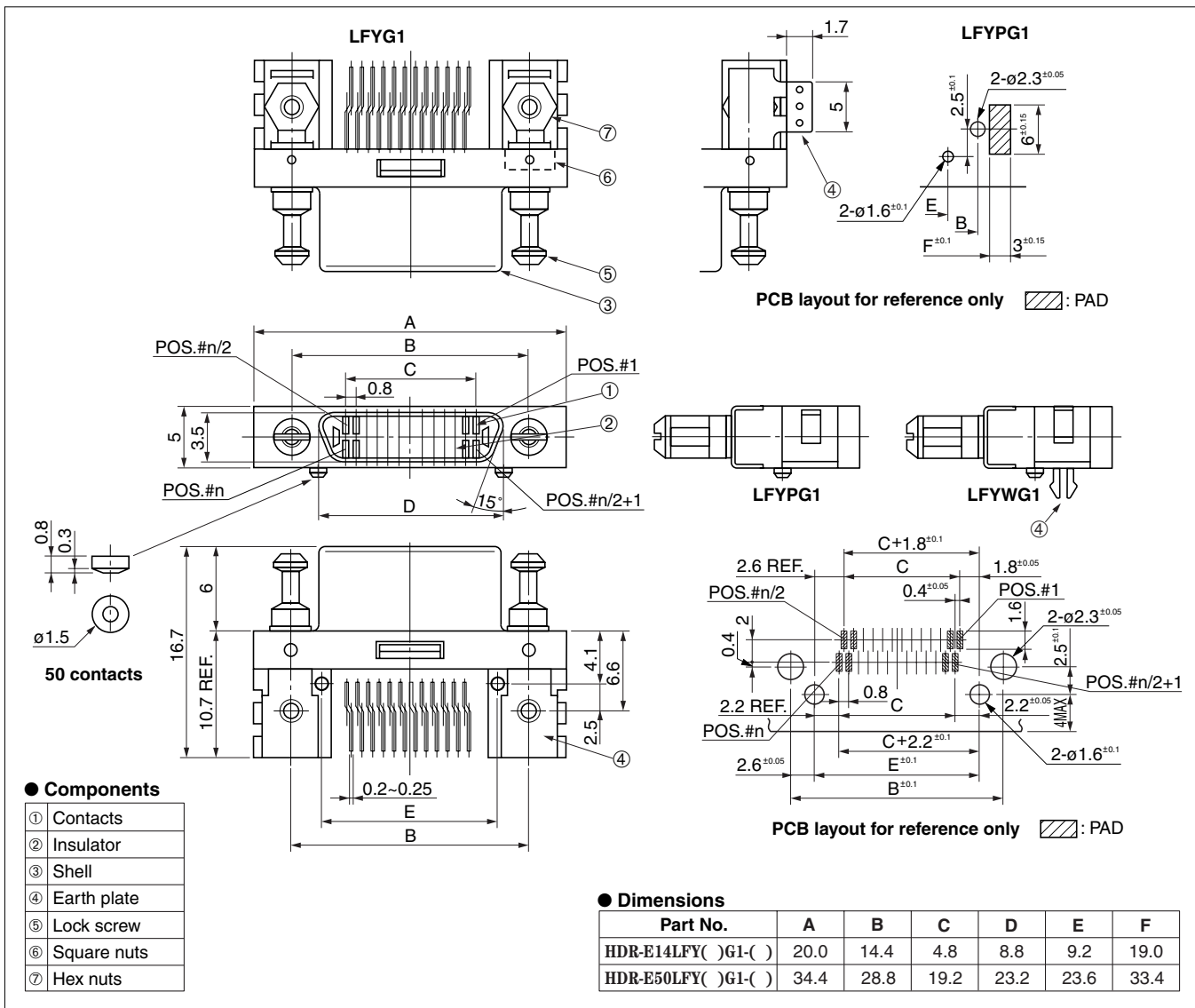
# Right-angle SMT type female connector for PCBs HDR-E( )LFY( )G1-( )



● Configuration of product Part No.

## HDR- E ( ) LFY ( ) G1- ( )

- |                                   |                                |
|-----------------------------------|--------------------------------|
| ① Series name                     | ⑥ Contact Plating              |
| ② Contact pitch: 0.8 mm           | G1: 0.76 μm or more Gold plate |
| ③ No. of contacts: 14 or 50       | ⑦ Lock screw                   |
| ④ Type of contact                 | Blank: None                    |
| LFY: Right-angle SMT type, female | SL : Provided                  |
| ⑤ Type of board lock              |                                |
| P : Hold down + screw             |                                |
| W : Earth lock pin                |                                |
| Blank: Screw                      |                                |



**Mating connector:** HDR series IDC or solder type male cable connector

**For use with housings:** HDR series vertical housing