

---

## General Informations

---

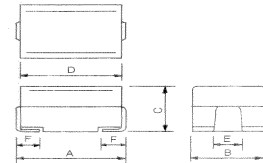
# WOUND CHIP INDUCTORS

---

## Typical Applications

---

Design for EMI/RFI noise suppression in electronic circuits.  
 Typical application include switch mode power supplies,  
 Audio equipments, consumer electronics, display monitors.



Type	Inductance Range ( $\mu\text{H}$ )	Dimensions (mm)					
		A	B	C	D	E	F
EVXSM322522	0.12 ~ 220	3.2 $\pm$ 0.3	2.5 $\pm$ 0.2	2.2 $\pm$ 0.2	2.9 $\pm$ 0.2	1.0 $\pm$ 0.2	0.6 $\pm$ 0.2
EVXSM453232	0.1 ~ 1000	4.5 $\pm$ 0.3	3.2 $\pm$ 0.2	3.2 $\pm$ 0.2	4.2 $\pm$ 0.2	1.2 $\pm$ 0.2	1.0 $\pm$ 0.2

## Performance and specifications

---

- Encapsulated designs provide excellent humidity, heat and cold resistance.
- High inductance stability.
- High Q-factor characteristics.
- Compact size and low profile.
- Surface mount design for auto pick & place production.
- Suitable for IR reflow process.
- Packaging tape & reel.

## Material Approvals

---

Core	TDK or equivalent	MnZn material
Wire	Hitachi Cable (S) Pte Ltd	2-UEW Class B

## Product Identification

---

EVX   SM   □□□□□□ -   □□□   □ -   □  
 (1)   (2)   (3)   (4)   (5)   (6)

- (1) Manufacturer identification
- (2) Type of core: drum core
- (3) Series number (example, 453232, etc..)
- (4) Inductance specification ( $\mu\text{H}$ )
- (5) Inductance tolerance: K =  $\pm$  10% , M =  $\pm$  20%
- (6) Packing method: T = Tape & Reel

For example, EVXSM453232-1R0M-T is 453232 series of  $1\mu\text{H} \pm 20\%$  in tape & reel packing.

## WOUND CHIP INDUCTORS

### EVXSM322522 Series

Product Code	L $\pm$ 20% ( $\mu$ H)	Test Freq (MHz)	Q-Factor (min)	SRF, typ (MHz)	DCR, max ( $\Omega$ )	Idc, max (mA)
EVXSM322522-R12M	0.12	25.2	30	500	0.22	450
EVXSM322522-R15M	0.15	25.2	30	450	0.25	450
EVXSM322522-R18M	0.18	25.2	30	400	0.28	450
EVXSM322522-R22M	0.22	25.2	30	350	0.32	450
EVXSM322522-R27M	0.27	25.2	30	320	0.36	450
EVXSM322522-R33M	0.33	25.2	30	300	0.40	450
EVXSM322522-R39M	0.39	25.2	30	250	0.45	450
EVXSM322522-R47M	0.47	25.2	30	220	0.50	450
EVXSM322522-R56M	0.56	25.2	30	180	0.55	450
EVXSM322522-R68M	0.68	25.2	30	160	0.60	450
EVXSM322522-R82M	0.82	25.2	30	140	0.65	450
EVXSM322522-1R0M	1.0	7.96	30	120	0.70	400
EVXSM322522-1R2M	1.2	7.96	30	100	0.75	390
EVXSM322522-1R5M	1.5	7.96	30	85	0.85	370
EVXSM322522-1R8M	1.8	7.96	30	80	0.90	350
EVXSM322522-2R2M	2.2	7.96	30	75	1.00	320
EVXSM322522-2R7M	2.7	7.96	30	70	1.10	290
EVXSM322522-3R3M	3.3	7.96	30	60	1.20	260
EVXSM322522-3R9M	3.9	7.96	30	55	1.30	250
EVXSM322522-4R7M	4.7	7.96	30	50	1.50	220
EVXSM322522-5R6M	5.6	7.96	30	47	1.60	200
EVXSM322522-6R8M	6.8	7.96	30	43	1.80	180
EVXSM322522-8R2M	8.2	7.96	30	40	2.00	170
EVXSM322522-100M	10	25.2	30	36	2.10	150
EVXSM322522-120M	12	25.2	30	33	2.50	140
EVXSM322522-150M	15	25.2	30	28	2.80	130
EVXSM322522-180M	18	25.2	30	25	3.30	120
EVXSM322522-220M	22	25.2	30	23	3.70	110
EVXSM322522-270M	27	25.2	30	18	5.00	80
EVXSM322522-330M	33	25.2	30	17	5.60	70
EVXSM322522-390M	39	25.2	30	16	6.40	65
EVXSM322522-470M	47	25.2	30	15	7.00	60
EVXSM322522-560M	56	25.2	30	13	8.00	55
EVXSM322522-680M	68	25.2	30	12	9.00	50
EVXSM322522-820M	82	25.2	30	11	10.0	45
EVXSM322522-101M	100	0.796	20	10	11.0	40
EVXSM322522-121M	120	0.796	20	10	12.0	70
EVXSM322522-151M	150	0.796	20	8	15.0	65
EVXSM322522-181M	180	0.796	20	7	17.0	60
EVXSM322522-221M	220	0.796	20	7	21.0	50

## WOUND CHIP INDUCTORS

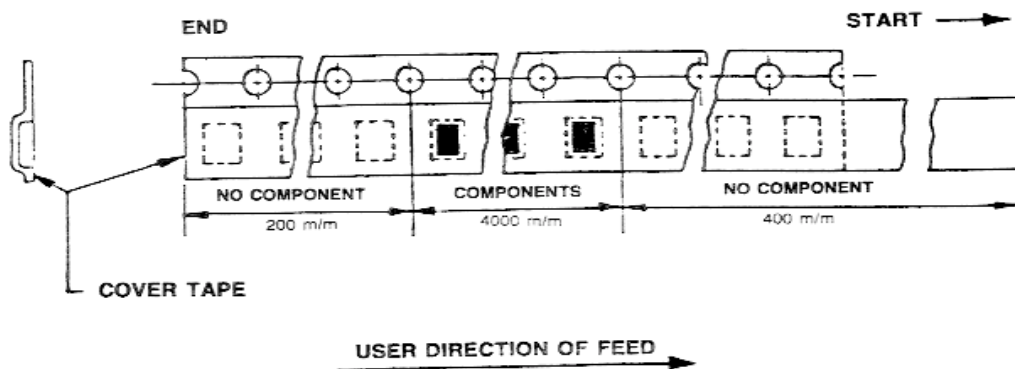
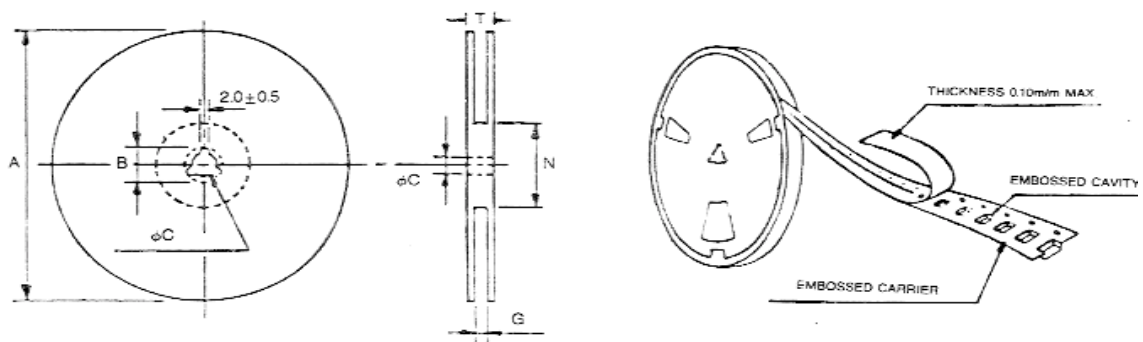
### EVXSM453232 Series

Product Code	L ± 20% (µH)	Test Freq (MHz)	Q-Factor (min)	SRF, typ (MHz)	DCR, max (Ω)	Idc, max (mA)
EVXSM453232-R10M	0.10	25.2	35	300	0.18	800
EVXSM453232-R12M	0.12	25.2	35	280	0.20	770
EVXSM453232-R15M	0.15	25.2	35	250	0.22	730
EVXSM453232-R18M	0.18	25.2	35	220	0.24	700
EVXSM453232-R22M	0.22	25.2	40	200	0.25	665
EVXSM453232-R27M	0.27	25.2	40	180	0.26	635
EVXSM453232-R33M	0.33	25.2	40	165	0.28	605
EVXSM453232-R39M	0.39	25.2	40	150	0.30	575
EVXSM453232-R47M	0.47	25.2	40	145	0.32	545
EVXSM453232-R56M	0.56	25.2	40	140	0.36	520
EVXSM453232-R68M	0.68	25.2	40	135	0.40	500
EVXSM453232-R82M	0.82	25.2	40	130	0.45	475
EVXSM453232-1R0M	1.0	7.96	50	100	0.50	450
EVXSM453232-1R2M	1.2	7.96	50	80	0.55	430
EVXSM453232-1R5M	1.5	7.96	50	70	0.60	410
EVXSM453232-1R8M	1.8	7.96	50	60	0.65	390
EVXSM453232-2R2M	2.2	7.96	50	55	0.70	380
EVXSM453232-2R7M	2.7	7.96	50	50	0.75	370
EVXSM453232-3R3M	3.3	7.96	50	45	0.80	355
EVXSM453232-3R9M	3.9	7.96	50	40	0.90	330
EVXSM453232-4R7M	4.7	7.96	50	35	1.00	315
EVXSM453232-5R6M	5.6	7.96	50	33	1.10	300
EVXSM453232-6R8M	6.8	7.96	50	27	1.20	285
EVXSM453232-8R2M	8.2	7.96	50	25	1.40	270
EVXSM453232-100M	10	25.2	50	20	1.60	250
EVXSM453232-120M	12	25.2	50	18	2.00	225
EVXSM453232-150M	15	25.2	50	17	2.50	200
EVXSM453232-180M	18	25.2	50	15	2.80	190
EVXSM453232-220M	22	25.2	50	13	3.20	180
EVXSM453232-270M	27	25.2	50	12	3.60	170
EVXSM453232-330M	33	25.2	50	11	4.00	160
EVXSM453232-390M	39	25.2	50	10	4.50	150
EVXSM453232-470M	47	25.2	50	10	5.00	140
EVXSM453232-560M	56	25.2	50	9.0	5.50	135
EVXSM453232-680M	68	25.2	50	9.0	6.00	130
EVXSM453232-820M	82	25.2	50	8.0	7.00	120
EVXSM453232-101M	100	7.96	40	8.0	8.00	110
EVXSM453232-121M	120	7.96	40	6.0	8.00	110
EVXSM453232-151M	150	7.96	40	5.0	9.00	105
EVXSM453232-181M	180	7.96	40	5.0	9.50	102
EVXSM453232-221M	220	7.96	40	4.0	10.0	100
EVXSM453232-271M	270	7.96	40	4.0	12.0	92
EVXSM453232-331M	330	7.96	40	3.5	14.0	85
EVXSM453232-391M	390	7.96	40	3.0	18.0	80
EVXSM453232-471M	470	7.96	40	3.0	26.0	62
EVXSM453232-561M	560	7.96	30	3.0	30.0	50
EVXSM453232-681M	680	7.96	30	3.0	30.0	50
EVXSM453232-821M	820	7.96	30	2.5	35.0	30
EVXSM453232-102M	1000	0.252	20	2.5	40.0	30

### Taping Specifications

All dimensions in mm

Reel Type	A	B	C	G	N	T
8mm	178±2	21 ± 1	13 ± 0.5	10 ± 0.5	50 ± 0.5	14.4 ± 0.5
12mm	178±2	21 ± 1	13 ± 0.5	14 ± 0.5	50 ± 0.5	18.4 ± 0.5



#### STRENGTH OF COVER TAPE



• THE FORCE FOR TEARING OFF COVER TAPE IS 10 TO 130 GRAMS IN THE ARROW DIRECTION.



---

## WOUND CHIP INDUCTORS

---

### Packing Quantities (Tape & Reel)

---

<b>Product Series</b>	<b>Reel Type</b>	<b>Quantity Per Reel</b>
EVXSM322522	8mm	2000 pcs
EVXSM453232	12mm	500 pcs