

PLEASE CHECK WWW.MOLEX.COM FOR LATEST PART INFORMATION

Part Number: **0749792504**
Status: **Active**
Overview: vhdm_hsd
Description: 2.00mm (.079") Pitch 6-Row VHDM-HSD™ Backplane Header, Open Module, 100 Circuits, Gold (Au) Selective 0.76µm (30µ"), Pin Length 5.15mm (.203")

Documents:

[Drawing \(PDF\)](#) [RoHS Certificate of Compliance \(PDF\)](#)
[Product Specification PS-74031-999 \(PDF\)](#)

General

| | |
|-------------------------------|---|
| Product Family | Backplane Connectors |
| Series | 74979 |
| Application | Backplane |
| Application Tooling Documents | Tooling Manual |
| Comments | Open Header |
| Component Type | PCB Header |
| Overview | vhdm_hsd |
| Product Name | VHDM-HSD™ |
| Style | N/A |

Physical

| | |
|--------------------------------|---|
| Circuits (Loaded) | 100 |
| Circuits (maximum) | 100 |
| Color - Resin | Black |
| Durability (mating cycles max) | 200 |
| First Mate / Last Break | No |
| Guide to Mating Part | No |
| Keying to Mating Part | None |
| Material - Metal | Copper-Nickel-Silicon, High Performance Alloy (HPA) |
| Material - Plating Mating | Gold |
| Material - Plating Termination | Tin-Lead |
| Material - Resin | High Temperature Thermoplastic |
| Number of Columns | 25 |
| Number of Pairs | Open Pin Field |
| Number of Rows | 6 |
| Orientation | Vertical |
| PCB Retention | None |
| PCB Thickness Recommended (in) | 0.070 In |
| PCB Thickness Recommended (mm) | 1.80 mm |
| Packaging Type | Tube |
| Pitch - Mating Interface (in) | 0.079 In |
| Pitch - Mating Interface (mm) | 2.00 mm |
| Plating min: Mating (µin) | 30 |
| Plating min: Mating (µm) | 0.75 |
| Plating min: Termination (µin) | 30 |
| Plating min: Termination (µm) | 0.75 |
| Polarized to PCB | Yes |
| Stackable | Yes |
| Surface Mount Compatible (SMC) | Yes |
| Temperature Range - Operating | -55°C to +105°C |
| Termination Interface: Style | Through Hole - Compliant Pin |

Electrical

Current - Maximum per Contact 1A

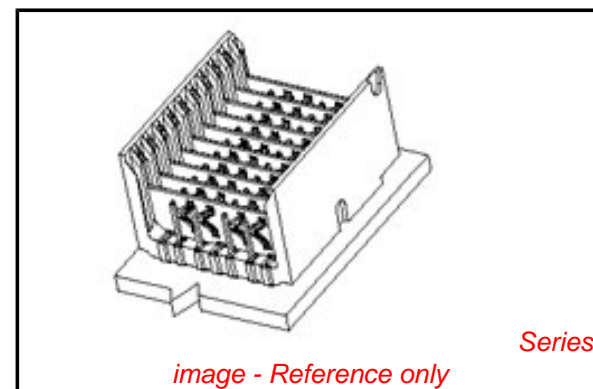


image - Reference only

EU RoHS

RoHS Compliant by Exemption

REACH SVHC

Contains SVHC: No

Halogen-Free

Status

Not Reviewed

China RoHS



Pb

Need more information on product environmental compliance?

Email productcompliance@molex.com
 For a multiple part number RoHS Certificate of Compliance, [click here](#)

Please visit the [Contact Us](#) section for any non-product compliance questions.

Search Parts in this Series

74979Series

Mates With

74880 VHDMHSD Daughtercard. [74886](#)
 VHDMHSD Hybrid Daughtercard

Application Tooling | FAQ

Tooling specifications and manuals are found by selecting the products below. Crimp Height Specifications are then contained in the Application Tooling Specification document.

Global

| Description | Product # |
|--|----------------------------|
| VHDM® Signal Pin | 0622015700 |
| Insert Repair Tool | |
| VHDM-HSD™ Signal Header, 6 Row by 25 Wide, 50.00mm (1.97") | 0622020217 |

| | |
|-------------------------|------------------|
| Data Rate | 5.0 Gbps |
| Real Signals (per 25mm) | 48 |
| Voltage - Maximum | 120V AC (RMS)/DC |

Material Info

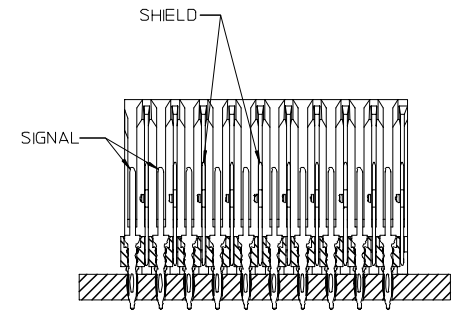
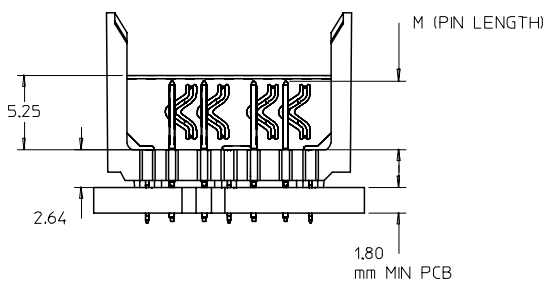
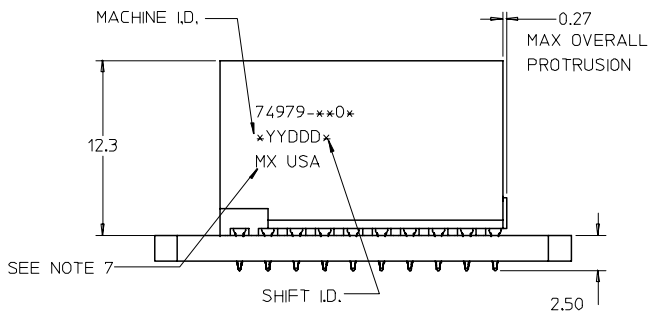
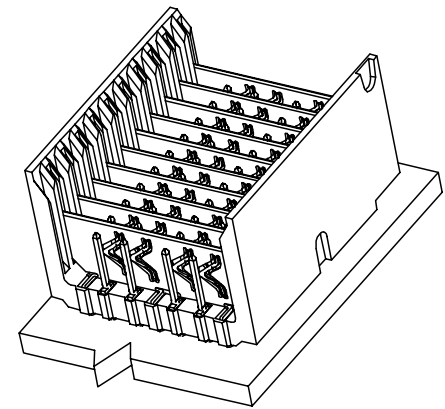
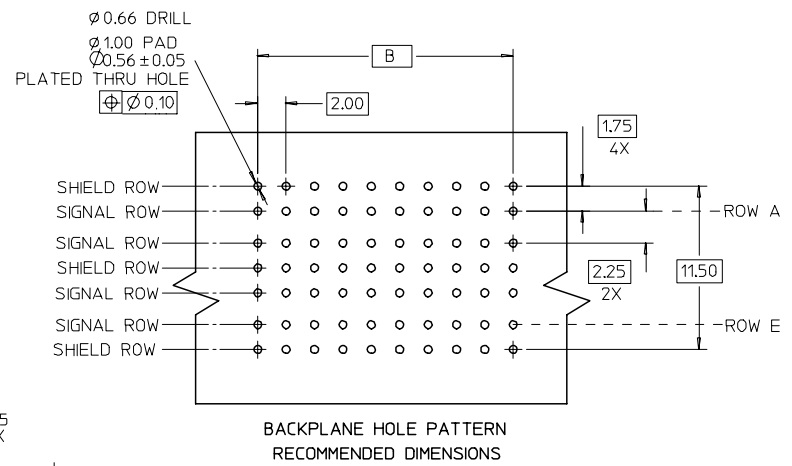
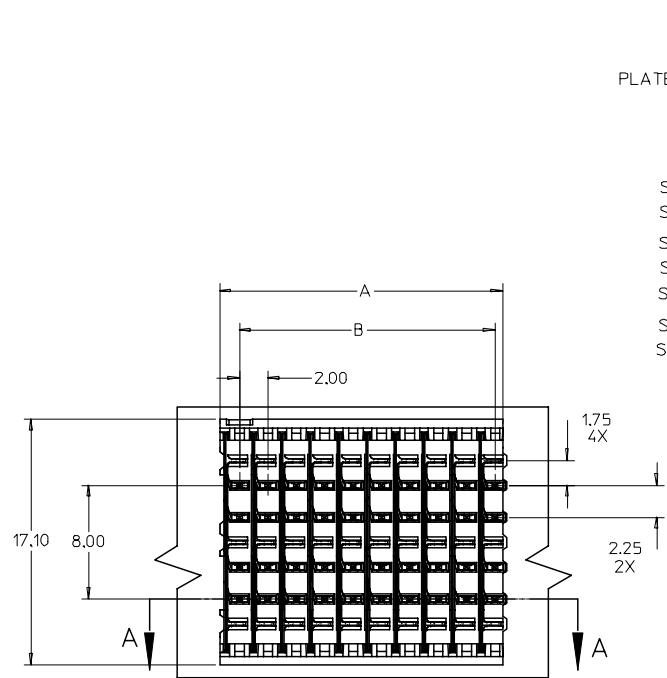
Reference - Drawing Numbers

| | |
|-------------------------|--------------|
| Packaging Specification | PK-74057-003 |
| Product Specification | PS-74031-999 |
| Sales Drawing | SD-74979-010 |

VHDM-HSD is a trademark of Amphenol Corporation

This document was generated on 05/28/2010

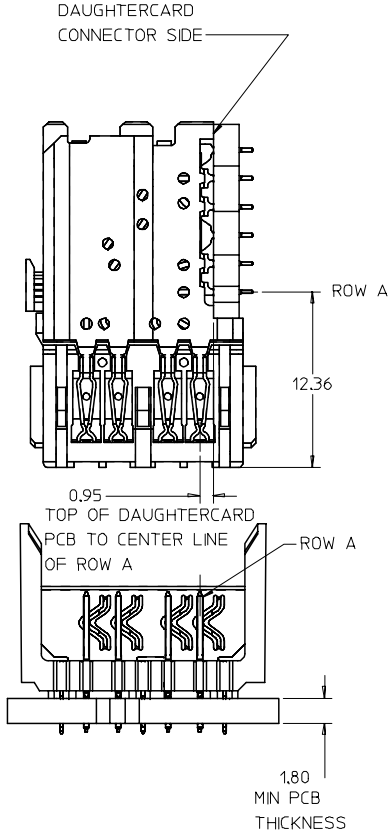
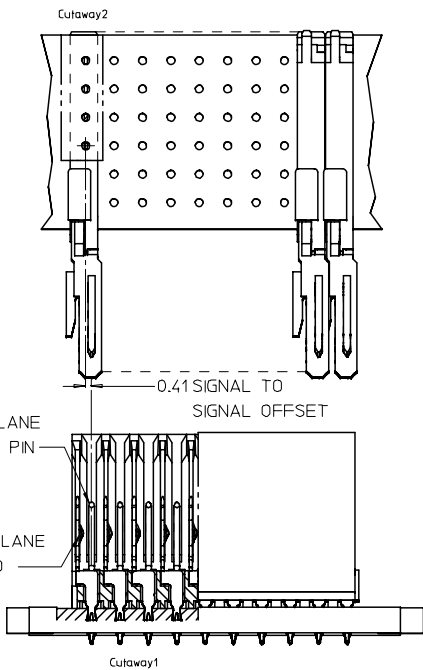
PLEASE CHECK WWW.MOLEX.COM FOR LATEST PART INFORMATION



- NOTES:
- MATERIAL: HOUSING - LIQUID CRYSTAL POLYMER (LCP) GLASS-FILLED. UL 94V-0. COLOR - BLACK. SIGNAL AND SHIELD - HIGH PERFORMANCE COPPER ALLOY.
 - FINISHES:
CONTACT AREA: SELECTIVE GOLD (Au)
PCB TAILS: SELECTIVE TIN/LEAD (Sn/Pb) OR SELECTIVE MATTE TIN (Sn) NICKEL (Ni) OVERALL.
 - THIS PART CONFORMS TO MOLEX PRODUCT SPECIFICATION PS-74031-999.
 - FOR MIXED CONTACT MATING LENGTHS CONSULT MOLEX FOR AVAILABILITY.
 - FOR SPECIFIC PART NUMBER AND MATING INFORMATION REFER TO SHEET 2.
 - PACKAGE PER PK-74057-003 FOR 10 & 25 COLUMN. PACKAGE PER PK-70873-0934 FOR THE 9 COLUMN CONNECTOR.
 - EITHER MARK PART NUMBER AND DATE CODE APPROXIMATELY WHERE SHOWN OR PLACE LABEL ON TUBE.

| | | | | | | |
|---|--|---|-----------------------------------|---|------------------------|---|
| ADD LEADFREE PINS EC NO: UCP2006-0067 DRW: KMULVEY 2005/07/15 CHKD: 2005/07/18 APPR: SREED 2005/08/11 | DESCRIPTION QUALITY SYMBOLS ▽=0 ▽=0 | GENERAL TOLERANCES (UNLESS SPECIFIED) | | SCALE 4:1 | DESIGN UNITS METRIC | THIRD ANGLE PROJECTION REVISIONS ON CAD ONLY |
| | | 4 PLACES ± --- ± --- 3 PLACES ± --- ± --- 2 PLACES ± --- ± --- 1 PLACE ± --- ± --- | DIMENSION STYLE MM ONLY | TITLE HSD SALES ASSEMBLY 6 ROW OPEN END BACKPLANE | | |
| | | DRAFT WHERE APPLICABLE MUST REMAIN WITHIN DIMENSIONS | APPROVED BY CBIXLER 2002/05/03 | DATE 2002/05/03 | | |
| | | THIS DRAWING CONTAINS INFORMATION THAT IS PROPRIETARY TO MOLEX INCORPORATED AND SHOULD NOT BE USED WITHOUT WRITTEN PERMISSION | MATERIAL NO. SEE SHEET 2 | DOCUMENT NO. SD-74979-010 | | |

J
I
H
G
F
E
D
C
B
A



| PART NUMBER | COLUMN | NUMBER OF SIGNAL PINS | NUMBER OF SHIELDS | A | B | M | Au (um) MIN THICKNESS | Sn (um) THICKNESS |
|-------------|--------|-----------------------|-------------------|-------|-------|------|-----------------------|-------------------|
| 74979-x901 | 9 | 36 | 9 | 18.00 | 16.00 | 4.75 | 0.76 | 0.76-152 |
| 74979-x906 | | | | | | | 1.27 | |
| 74979-x001 | 10 | 40 | 10 | 20.00 | 18.00 | | 0.76 | |
| 74979-x006 | | | | | | | 1.27 | |
| 74979-x501 | 25 | 100 | 25 | 50.00 | 48.00 | 0.76 | | |
| 74979-x506 | | | | | | 1.27 | | |
| 74979-x902 | 9 | 36 | 9 | 18.00 | 16.00 | 6.25 | 0.76 | |
| 74979-x907 | | | | | | | 1.27 | |
| 74979-x002 | 10 | 40 | 10 | 20.00 | 18.00 | | 0.76 | |
| 74979-x007 | | | | | | | 1.27 | |
| 74979-x502 | 25 | 100 | 25 | 50.00 | 48.00 | 0.76 | | |
| 74979-x507 | | | | | | 1.27 | | |
| 74979-x903 | 9 | 36 | 9 | 18.00 | 16.00 | 4.25 | 0.76 | |
| 74979-x908 | | | | | | | 1.27 | |
| 74979-x003 | 10 | 40 | 10 | 20.00 | 18.00 | | 0.76 | |
| 74979-x008 | | | | | | | 1.27 | |
| 74979-x503 | 25 | 100 | 25 | 50.00 | 48.00 | 0.76 | | |
| 74979-x508 | | | | | | 1.27 | | |
| 74979-x904 | 9 | 36 | 9 | 18.00 | 16.00 | 5.15 | 0.76 | |
| 74979-x909 | | | | | | | 1.27 | |
| 74979-x004 | 10 | 40 | 10 | 20.00 | 18.00 | | 0.76 | |
| 74979-x009 | | | | | | | 1.27 | |
| 74979-x504 | 25 | 100 | 25 | 50.00 | 48.00 | 0.76 | | |
| 74979-x509 | | | | | | 1.27 | | |

MATERIAL NUMBER ASSIGNMENT

74979-** **
 SEE TABLE
 NUMBER OF COLUMNS/PLATING
 10 = 10 COLUMN TIN/LEAD
 25 = 25 COLUMN TIN/LEAD
 09 = 9 COLUMN TIN/LEAD
 90 = 10 COLUMN MATTE TIN
 85 = 25 COLUMN MATTE TIN
 99 = 9 COLUMN MATTE TIN

| SEE SHEET 1 EC NO: UCP2006-0067 DRWN: KMULVEY 2005/07/15 CHKD: 2005/07/18 APPR: SREED 2005/08/11 | DESCRIPTION REV | QUALITY SYMBOLS | GENERAL TOLERANCES (UNLESS SPECIFIED) | SCALE 4:1 | DESIGN UNITS METRIC | THIRD ANGLE PROJECTION | REVISE ON CAD ONLY | | | | | | | | | | | | | | | |
|---|--------------------|-----------------|---|---------------------------------------|---|------------------------|--------------------|-------|-------|----------|-------|-------|----------|-------|-------|---------|-------|-------|----------------------------|-------|--|--|
| | | ▽ = 0 ∇ = 0 | <table border="1"> <tr> <th></th> <th>mm</th> <th>INCH</th> </tr> <tr> <td>4 PLACES</td> <td>± ---</td> <td>± ---</td> </tr> <tr> <td>3 PLACES</td> <td>± ---</td> <td>± ---</td> </tr> <tr> <td>2 PLACES</td> <td>± ---</td> <td>± ---</td> </tr> <tr> <td>1 PLACE</td> <td>± ---</td> <td>± ---</td> </tr> </table> | | mm | INCH | 4 PLACES | ± --- | ± --- | 3 PLACES | ± --- | ± --- | 2 PLACES | ± --- | ± --- | 1 PLACE | ± --- | ± --- | DIMENSION STYLE MM ONLY | TITLE | HSD SALES ASSEMBLY 6 ROW OPEN END BACKPLANE | |
| | | | mm | INCH | | | | | | | | | | | | | | | | | | |
| | | 4 PLACES | ± --- | ± --- | | | | | | | | | | | | | | | | | | |
| 3 PLACES | ± --- | ± --- | | | | | | | | | | | | | | | | | | | | |
| 2 PLACES | ± --- | ± --- | | | | | | | | | | | | | | | | | | | | |
| 1 PLACE | ± --- | ± --- | | | | | | | | | | | | | | | | | | | | |
| DRAFT WHERE APPLICABLE MUST REMAIN WITHIN DIMENSIONS | | | APPROVED BY: CBIXLER DATE: 2002/05/03 | CHECKED BY: SREED DATE: 2002/05/03 | MATERIAL NO. SEE TABLE DOCUMENT NO. SD-74979-010 | SHEET NO. 2 OF 2 | | | | | | | | | | | | | | | | |
| THIS DRAWING CONTAINS INFORMATION THAT IS PROPRIETARY TO MOLEX INCORPORATED AND SHOULD NOT BE USED WITHOUT WRITTEN PERMISSION | | | | | | | | | | | | | | | | | | | | | | |