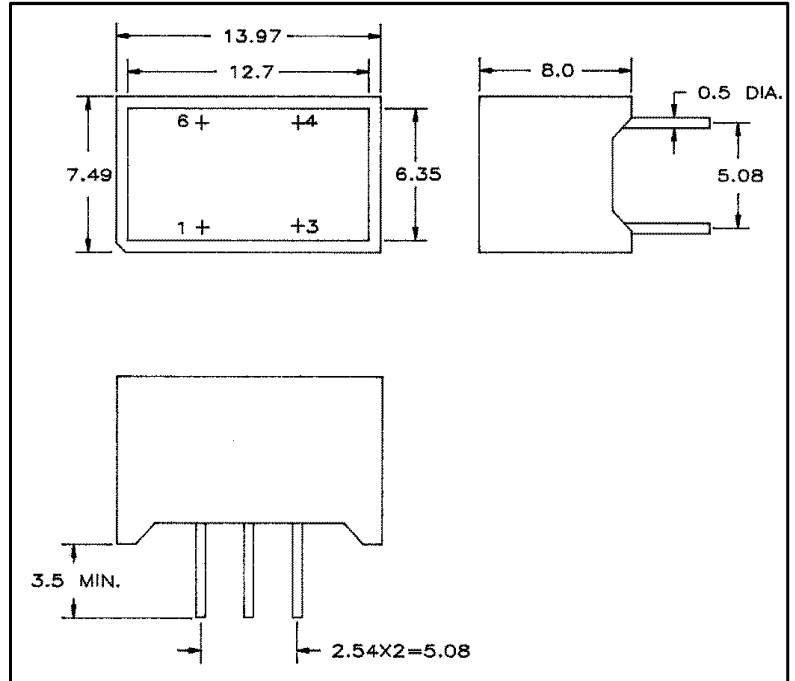


Features

Suitable for backlighting
Uniform light emission



Series Line-Up

Part Number	Color	Material
MTLB2150-G	Yellow Green	GaP
MTLB3150-Y	Pure Yellow	GaAsP
MTLB4150-0	High Efficiency Red	GaAsP
MTLB4150-HR	High Efficiency Red	GaAsP
MTLB7150-UR	Ultra Bright Red	GaAlAs

Maximum Ratings (Ta=25°C)

Part Number	Forward Current I _F	Reverse Voltage V _R	Power Dissipation P _D	Operating Temperature T _{opr}	Storage Temperature T _{stg}
MTLB2150-G	30	5	85.00	-25 ~ +85	-25 ~ +100
MTLB3150-Y	30	5	85.00	-25 ~ +85	-25 ~ +100
MTLB4150-0	30	5	85.00	-25 ~ +85	-25 ~ +100
MTLB4150-HR	30	5	85.00	-25 ~ +85	-25 ~ +100
MTLB7150-UR	30	4	70.00	-25 ~ +85	-25 ~ +100
Unit	mA	V	mW	°C	°C

Electrical and Optical Characteristics (Ta=25°C)

Part Number	PWL nm λ_P	Material	View Angle $2\theta_{1/2}$	Luminous Intensity I_v				Forward Voltage V_F				Rev Current I_R	
				min.	typ.	max.	IF@	min.	typ.	max.	IF@	max.	VR@
MTLB2150-G	567	GaP	-	-	4.70	-	10mA	-	2.10	3.00	20mA	100	5V
MTLB3150-Y	585	GaAsP	-	-	3.70	-	10mA	-	2.10	3.00	20mA	100	5V
MTLB4150-0	635	GaAsP	-	-	5.20	-	10mA	-	2.10	3.00	20mA	100	5V
MTLB4150-HR	635	GaAsP	-	-	5.20	-	10mA	-	2.10	3.00	20mA	100	5V
MTLB7150-UR	660	GaAlAs	-	-	20.30	-	20mA	-	1.90	2.50	20mA	100	4V
-	nm	-	deg	mcd				-	V		-	μA	-

NOTES:

- All Dimensions are in millimeters
- Tolerance is $\pm 0.25\text{mm}$ unless otherwise stated.
- The slope angle of any pin may be $\pm 5.0^\circ$ MAX.
- Specifications are subject to change without notice.