



Micro Commercial Components

Micro Commercial Components
20736 Marilla Street Chatsworth
CA 91311
Phone: (818) 701-4933
Fax: (818) 701-4939

MMST2222A

NPN Plastic-Encapsulate Transistors

Features

- Lead Free Finish/RoHS Compliant ("P" Suffix designates RoHS Compliant. See ordering information)
- Epoxy meets UL 94 V-0 flammability rating
- Moisture Sensitivity Level 1
- Power Dissipation: 0.2W
- Ultra-small surface mount package
- Marking: K3P

Maximum Ratings

Symbol	Rating	Rating	Unit
V_{CEO}	Collector-Emitter Voltage	40	V
V_{CBO}	Collector-Base Voltage	75	V
V_{EBO}	Emitter-Base Voltage	6.0	V
I_{CBO}	Collector Cut-off Current ($V_{CB}=70V, I_E=0$)	100	mA
I_{CEO}	Collector Cut-off Current ($V_{CE}=35V, I_B=0$)	100	mA
I_{EBO}	Emitter Cut-off Current ($V_{EB}=3V, I_C=0$)	100	mA
P_C	Power dissipation ⁽¹⁾	200	mW
T_J	Junction Temperature	-55 to +150	°C
T_{STG}	Storage Temperature	-55 to +150	°C

Electrical Characteristics @ 25°C Unless Otherwise Specified

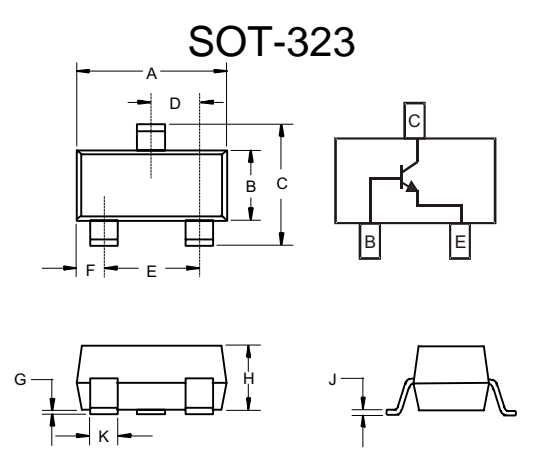
Symbol	Parameter	Min	Max	Units
--------	-----------	-----	-----	-------

OFF CHARACTERISTICS ⁽²⁾

$V_{(BR)CEO}$	Collector-Emitter Breakdown Voltage ($I_C=1.0mA, I_B=0$)	40	---	Vdc
$V_{(BR)CBO}$	Collector-Base Breakdown Voltage ($I_C=10mA, I_E=0$)	75	---	Vdc
$V_{(BR)EBO}$	Collector-Emitter Breakdown Voltage ($I_E=10uA, I_C=0$)	6.0	---	Vdc

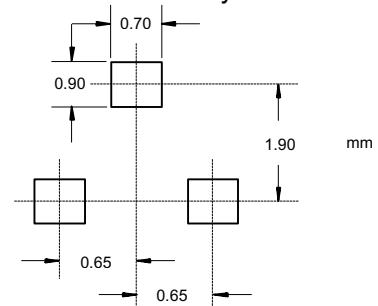
ON CHARACTERISTICS ⁽²⁾

h_{FE}	DC Current Gain ($I_C=150mA, V_{CE}=10Vdc$) ($I_C=1.0mA, V_{CE}=10Vdc$)	100 50	300 ---	---
$V_{CE(sat)}$	Collector-Emitter Saturation Voltage ($I_C=500mA, I_B=50mA$)	---	0.6	Vdc
$V_{BE(sat)}$	Base-Emitter Saturation Voltage ($I_C=500mA, I_B=50mA$)	---	1.2	Vdc
f_T	Transition Frequency ($V_{CE}=20V, I_C=20mA, f=100MHz$)	300	---	Hz
C_{ob}	Output Capacitance ($V_{CB}=10V, I_E=0mA, f=1MHz$)	---	8	pF
t_d	Delay Time ($V_{CC}=30V, I_{oc}=150mA, V_{BE(off)}=0.5V, I_{B1}=15mA$)	---	10	ns
t_r	Rise Time ($V_{CC}=30V, I_{oc}=150mA, V_{BE(off)}=0.5V, I_{B1}=15mA$)	---	25	ns
t_s	Storage Time ($V_{CC}=30V, I_{oc}=150mA, I_{B1}=I_{B2}=15mA$)	---	225	ns
t_f	Fall Time ($V_{CC}=30V, I_{oc}=150mA, I_{B1}=I_{B2}=15mA$)	---	60	ns



DIM	INCHES		MM		NOTE
	MIN	MAX	MIN	MAX	
A	.071	.087	1.80	2.20	
B	.045	.053	1.15	1.35	
C	.079	.087	2.00	2.20	
D	.026 Nominal		0.65Nominal		
E	.047	.055	1.20	1.40	
F	.012	.016	.30	.40	
G	.000	.004	.000	.100	
H	.035	.039	.90	1.00	
J	.004	.010	.100	.250	
K	.012	.016	.30	.40	

Suggested Solder Pad Layout





Micro Commercial Components

Ordering Information :

Device	Packing
Part Number-TP	Tape&Reel; 3Kpcs/Reel

*****IMPORTANT NOTICE*****

Micro Commercial Components Corp. reserves the right to make changes without further notice to any product herein to make corrections, modifications, enhancements, improvements, or other changes. **Micro Commercial Components Corp.** does not assume any liability arising out of the application or use of any product described herein; neither does it convey any license under its patent rights, nor the rights of others. The user of products in such applications shall assume all risks of such use and will agree to hold **Micro Commercial Components Corp.** and all the companies whose products are represented on our website, harmless against all damages.

*****LIFE SUPPORT*****

MCC's products are not authorized for use as critical components in life support devices or systems without the express written approval of Micro Commercial Components Corporation.

*****CUSTOMER AWARENESS*****

Counterfeiting of semiconductor parts is a growing problem in the industry. Micro Commercial Components (MCC) is taking strong measures to protect ourselves and our customers from the proliferation of counterfeit parts. MCC strongly encourages customers to purchase MCC parts either directly from MCC or from Authorized MCC Distributors who are listed by country on our web page cited below. Products customers buy either from MCC directly or from Authorized MCC Distributors are genuine parts, have full traceability, meet MCC's quality standards for handling and storage. **MCC will not provide any warranty coverage or other assistance for parts bought from Unauthorized Sources.** MCC is committed to combat this global problem and encourage our customers to do their part in stopping this practice by buying direct or from authorized distributors.