



SANYO Semiconductors

DATA SHEET

**LC878496PB, LC8784C8PB
LC8784G0PB, LC8784G1PB
LC8784J2PB, LC8784J3PB
LC8784M4PB, LC8784P6PB
LC8784P7PB**

CMOS IC

FROM 256K byte, RAM 12K byte on-chip

8-bit ETR Microcontroller

Overview

The LC8784XXPB series is an 8-bit ETR microcomputer that, centered around a CPU running at a minimum bus cycle time of 74.07 ns (CF = 13.5MHz), integrate on a single chip a number of hardware features such as direct control function of CD mechanism and CD-DSP for car audio, 256K-byte ROM (max), 12K-byte RAM (max), two sophisticated 16-bit timers/counters (may be divided into 8-bit timers), four 8-bit timers with a prescaler, a base timer serving as a time-of-day clock, two synchronous SIO ports (with automatic block transmission/reception capabilities), an asynchronous/synchronous SIO port, two UART ports (full duplex), four 12-bit PWM channels, an 8-bit 10-channel AD converter, a high-speed clock counter, a system clock frequency divider, and a 29-source 10-vector interrupt feature.

- Any and all SANYO Semiconductor Co.,Ltd. products described or contained herein are, with regard to "standard application", intended for the use as general electronics equipment (home appliances, AV equipment, communication device, office equipment, industrial equipment etc.). The products mentioned herein shall not be intended for use for any "special application" (medical equipment whose purpose is to sustain life, aerospace instrument, nuclear control device, burning appliances, transportation machine, traffic signal system, safety equipment etc.) that shall require extremely high level of reliability and can directly threaten human lives in case of failure or malfunction of the product or may cause harm to human bodies, nor shall they grant any guarantee thereof. If you should intend to use our products for applications outside the standard applications of our customer who is considering such use and/or outside the scope of our intended standard applications, please consult with us prior to the intended use. If there is no consultation or inquiry before the intended use, our customer shall be solely responsible for the use.
- Specifications of any and all SANYO Semiconductor Co.,Ltd. products described or contained herein stipulate the performance, characteristics, and functions of the described products in the independent state, and are not guarantees of the performance, characteristics, and functions of the described products as mounted in the customer's products or equipment. To verify symptoms and states that cannot be evaluated in an independent device, the customer should always evaluate and test devices mounted in the customer's products or equipment.

SANYO Semiconductor Co., Ltd.

<http://semicon.sanyo.com/en/network>

ROM for each model/Table RAM capacity

Type No.	ROM (byte)	RAM (byte)
LC878496PB	96K	6K
LC8784C8PB	128K	6K
LC8784G0PB	160K	6K
LC8784G1PB	160K	8K
LC8784J2PB	192K	8K
LC8784J3PB	192K	10K
LC8784M4PB	224K	10K
LC8784P6PB	256K	10K
LC8784P7PB	256K	12K

Features

■ **Minimum Bus Cycle Time**

- 74.04ns (CF = 13.5MHz)

Note: Bus cycle time indicates the speed to read ROM.

■ **Minimum Instruction Cycle Time (tCYC)**

- 222ns (CF = 13.5MHz)

Note: The minimum instruction cycle time: Minimum bus cycle time × 3

■ **Ports**

- Normal withstand voltage I/O ports

Ports whose I/O direction can be designated in 1 bit units: 57 (P1n, P2n, P30 to P35, P70 to P73, P8n, PBn, PCn, SI2Pm, PWM0, PWM1, XT2, n=0 to 7, m=0 to 3)

Ports whose I/O direction can be designated in 2 bit units: 16 (PEn, PFn n=0 to 7)

Ports whose I/O direction can be designated in 4 bit units: 8 (P0n n=0 to 7)

- Normal withstand voltage input ports: 1 (XT1)
- Internal low voltage output ports: 1 (VREG)
- Dedicated oscillator ports: 2 (CF1, CF2)
- Reset pin: 1 ($\overline{\text{RES}}$)
- Digital power pins: 6 (V_{SSn} , V_{DDn} n=1, 2, 4)

■ **Timers**

- **Timer 0:** 16-bit programmable timer/counter with capture register
 - Mode 0: 8-bit programmable timer with an 8-bit programmable prescaler (with two 8-bit capture registers) × 2 channels
 - Mode 1: 8-bit programmable timer with an 8-bit programmable prescaler (with two 8-bit capture registers) + 8-bit programmable counter (with two 8-bit capture registers)
 - Mode 2: 16-bit programmable timer with an 8-bit programmable prescaler (with two 16-bit capture registers)
 - Mode 3: 16-bit programmable counter (with 2 16-bit capture registers)
- **Timer 1:** 16-bit programmable timer/counter that support PWM/ toggle output
 - Mode 0: 8-bit programmable timer with an 8-bit prescaler (with toggle outputs) + 8-bit programmable timer/counter (with toggle outputs)
 - Mode 1: 8-bit PWM with an 8-bit prescaler × 2 channels
 - Mode 2: 16-bit programmable timer/counter with an 8-bit prescaler (with toggle outputs) (toggle outputs also from the lower-order 8 bits)
 - Mode 3: 16-bit programmable timer with an 8-bit prescaler (with toggle outputs) (The lower-order 8 bits can be used as PWM.)
- **Timer 4:** 8-bit programmable timer with a 6-bit prescaler
- **Timer 5:** 8-bit programmable timer with a 6-bit prescaler
- **Timer 6:** 8-bit programmable timer with a 6-bit prescaler (with toggle outputs)
- **Timer 7:** 8-bit programmable timer with a 6-bit prescaler (with toggle outputs)
- **Base timer**
 - 1) The clock is selectable from the subclock (32.768kHz crystal oscillator), cycle clock (tCYC), and timer 0 prescaler output.
 - 2) Interrupts programmable in 5 different time schemes.

■ High Speed Clock Counter

- 1) Can count clocks with a maximum clock rate of 20MHz
(at a main clock of 10MHz)
(When High-speed clock counter is used, timer 0 cannot be used).
- 2) Can generate output real time.

■ SIO: 3 channels

- SIO 0: 8 bit synchronous serial interface
 - 1) LSB first/MSB first mode selectable
 - 2) Built-in 8-bit baudrate generator (4/3 to 512/3 tCYC transfer clock cycle)
 - 3) Automatic continuous data transmission (1 to 256 bits)
- SIO 1: 8 bit asynchronous/synchronous serial interface
 - Mode 0: Synchronous 8-bit serial I/O (2 to or 3 to wire configuration, 2 to 512 tCYC transfer clocks)
 - Mode 1: Asynchronous serial I/O (Half-duplex, 8 data bits, 1 stop bit, 8 to 2048 tCYC baudrates)
 - Mode 2: Bus mode 1 (start bit, 8 data bits, 2 to 512 tCYC transfer clocks)
 - Mode 3: Bus mode 2 (start detect, 8 data bits, stop detect)
- SIO2: 8 bit synchronous serial interface
 - 1) LSB first mode
 - 2) Built-in 3-bit baudrate generator (4/3 to 512/3 tCYC transfer clock cycle)
 - 3) Automatic continuous data transmission (1 to 32 bytes)

■ UART: 2 channels

- 1) Full duplex
- 2) 7/8/9 bit data bits selectable
- 3) 1 stop bit (2 bits in continuous transmission mode)
- 4) Built-in 8-bit baudrate generator (with baudrates of 16/3 to 8192/3 tCYC)

■ AD Converter: 8 bits × 10 channels

■ PWM: Multifrequency 12-bit PWM × 4 channels

■ Remote Control Receiver Noise Filtering Function (sharing pins with P73, INT3, and T0IN)

- 1) Noise filter time constant selectable from 1 tCYC, 32 tCYC, and 128 tCYC
- 2) The noise filtering function is available for the INT3, T0IN, or T0HCP signal at P73. When P73 is read with an instruction, the signal level at that pin is read regardless of the availability of the noise filtering function.

■ Watchdog Timer

- External RC watchdog timer
- Interrupt and reset signals selectable

■ Interrupts

- 29 sources, 10 vector addresses
 - 1) Provides three levels (low (L), high (H), and highest (X)) of multiplex interrupt control. Any interrupt requests of the level equal to or lower than the current interrupt are not accepted.
 - 2) When interrupt requests to two or more vector addresses occur at the same time, the interrupt of the highest level takes precedence over the other interrupts. For interrupts of the same level, the interrupt into the smallest vector address takes precedence.

No.	Vector Address	Level	Interrupt Source
1	00003H	X or L	INT0
2	0000BH	X or L	INT1
3	00013H	H or L	INT2/T0L/INT4
4	0001BH	H or L	INT3/INT5/Base timer (BT0, 1)
5	00023H	H or L	T0H/INT6
6	0002BH	H or L	T1L/T1H/INT7
7	00033H	H or L	SIO0/UART1 receive/UART2 receive
8	0003BH	H or L	SIO1/SIO2/UART1 transmit/UART2 transmit
9	00043H	H or L	ADC/T6/T7/PWM4, PWM5
10	0004BH	H or L	Port 0/T4/T5/PWM0, PWM1

- Priority levels $X > H > L$
- Of interrupts of the same level, the one with the smallest vector address takes precedence.
- The Base timers are two interrupt sources of BT0 and BT1, it is one interrupt source by PWM0 and 1, it is one interrupt source by PWM4 and 5.

■ Subroutine Stack Levels

- 6144 levels maximum (1/2 of capacity of RAM, the stack is allocated in RAM.)

■ High-speed Multiplication/Division Instructions

- 16 bits \times 8 bits (5 tCYC execution time)
- 24 bits \times 16 bits (12 tCYC execution time)
- 16 bits \div 8 bits (8 tCYC execution time)
- 24 bits \div 16 bits (12 tCYC execution time)

■ Oscillation Circuits

- RC oscillator circuit (internal): For system clock
- CF oscillator circuit: For system clock with internal Rf and external Rd
- Crystal oscillator circuit: For time-of-day clock, for low-speed system clock with internal Rf and external Rd
- Multifrequency RC oscillator circuit (internal): For system clock

■ System Clock Divider Function

- Can run on low current.
- The minimum instruction cycle selectable from 222ns, 444ns, 888ns, 1.78 μ s, 3.55 μ s, 7.10 μ s, 14.2 μ s, 28.4 μ s, and 56.8 μ s.(at a main clock of 13.5MHz)

■ Standby Function

- HALT mode: Halts instruction execution while allowing the peripheral circuits to continue operation.
 - 1) Oscillation is not halted automatically.
 - 2) Canceled by system reset, detection VDET0 or occurrence of interrupt.
- HOLD mode: Suspends instruction execution and the operation of the peripheral circuits.
 - 1) The CF oscillators, RC, and crystal oscillators automatically stop operation.
 - 2) There are four ways of resetting the HOLD mode.
 - (1) Setting the Reset pin to the lower level.
 - (2) Voltage descent detection (VDET1)
 - (3) Setting at least one of the INT0, INT1, INT2, INT4, and INT5 pins to the specified level.
 - (4) Having an interrupt source established at port 0.
- X'tal HOLD mode: Suspends instruction execution and the operation of the peripheral circuits except the base timer.
 - 1) The CF oscillators, and RC oscillators automatically stop operation.
 - 2) The state of crystal oscillation established when X'tal HOLD mode is entered is retained.
 - 3) There are five ways of resetting the X'tal HOLD mode.
 - (1) Setting the Reset pin to the low level.
 - (2) Voltage descent detection (VDET0)
 - (3) Setting at least one of the INT0, INT1, INT2, INT4, and INT5 pins to the specified level.
 - (4) Having an interrupt source established at port 0.
 - (5) Having an interrupt source established in the base timer circuit.

■ Reset

- External reset
- Voltage descent detection (VDET0, VDET1) reset circuit (internal)

■ Shipping Form

- QIP100E (Lead Free Product)

■ Flash ROM Version

- LC87F83P7PB
- LC87F83P7PBU (User writing)

LC878496PB/C8PB/G0PB/G1PB/J2PB/J3PB/M4PB/P6PB/P7PB

Absolute Maximum Ratings at Ta = 25°C, VSS1 = VSS2 = VSS3 = VSS4 = 0V

Parameter	Symbol	Pins/Remarks	Conditions	Specification				
				VDD[V]	min	typ	max	unit
Maximum Supply voltage	VDD max	VDD1, VDD2, VDD3, VDD4	VDD1=VDD2=VDD3=VDD4		-0.3		+6.5	V
Input voltage	VI(1)	CF1, XT1,			-0.3		VDD+0.3	
Input/Output voltage	VI/O(1)	Ports 0, 1, 2 Ports 3, 7, 8 Ports B, C, E, F SI2P0 to SI2P3 PWM0, PWM1, XT2			-0.3		VDD+0.3	
High level output current	Peak output current	IOPH(1)	Ports 0, 1, 2, 3 Ports 71 to 73 Ports B, C, E, F SI2P0 to SI2P3	CMOS output select per 1 application pin		-10		mA
		IOPH(2)	PWM0, PWM1	Per 1 application pin.		-20		
	Average output current (Note 1-1)	IOMH(1)	Ports 0, 1, 2, 3 Ports 71 to 73 Ports B, C, E, F SI2P0 to SI2P3	CMOS output select per 1 application pin		-7.5		
		IOMH(2)	PWM0, PWM1	Per 1 application pin.		-15		
	Total output current	ΣIOAH(1)	P71 to P73	Total of all applicable pins		-25		
		ΣIOAH(2)	PWM0, PWM1 SI2P0 to SI2P3	Total of all applicable pins		-25		
		ΣIOAH(3)	Ports 0	Total of all applicable pins		-25		
		ΣIOAH(4)	Port 0 PWM0, PWM1 SI2P0 to SI2P3	Total of all applicable pins		-45		
		ΣIOAH(5)	Ports 2, 3, B	Total of all applicable pins		-25		
		ΣIOAH(6)	Ports C	Total of all applicable pins		-25		
ΣIOAH(7)		Ports 2, 3, B, C	Total of all applicable pins		-45			
ΣIOAH(8)		Ports F	Total of all applicable pins		-25			
ΣIOAH(9)	Ports 1, E	Total of all applicable pins		-25				
ΣIOAH(10)	Ports 1, E, F	Total of all applicable pins		-45				

Note 1-1: Average output current is average of current in 100ms interval.

Continued on next page.

LC878496PB/C8PB/G0PB/G1PB/J2PB/J3PB/M4PB/P6PB/P7PB

Continued from preceding page.

Parameter	Symbol	Pins/Remarks	Conditions	Specification				
				V _{DD} [V]	min	typ	max	unit
Low level output current	Peak output current	IOPL(1)	Ports 0, 1, 2, 3, 8 Ports B, C, E, F SI2P0 to SI2P3 XT2	Per 1 application pin.			10	mA
		IOPL(2)	PWM0, PWM1	Per 1 application pin.			20	
	Average output current (Note 1-1)	IOML(1)	Ports 0, 1, 2, 3, 7 Ports 8, B, C, E, F SI2P0 to SI2P3 XT2	Per 1 application pin.			7.5	
		IOML(2)	PWM0, PWM1	Per 1 application pin.			20	
	Total output current	ΣIOAL(1)	Port 7, XT2	Total of all applicable pins			25	
		ΣIOAL(2)	Port 8	Total of all applicable pins			25	
		ΣIOAL(3)	Ports 7, 8, XT2	Total of all applicable pins			45	
		ΣIOAL(4)	PWM0, PWM1 SI2P0 to SI2P3	Total of all applicable pins			25	
		ΣIOAL(5)	Port 0	Total of all applicable pins			25	
		ΣIOAL(6)	Port 0 PWM0, PWM1 SI2P0 to SI2P3	Total of all applicable pins			45	
		ΣIOAL(7)	Ports 2, 3, B	Total of all applicable pins			25	
		ΣIOAL(8)	Ports C	Total of all applicable pins			25	
		ΣIOAL(9)	Ports 2, 3, B, C	Total of all applicable pins			45	
ΣIOAL(10)		Port F	Total of all applicable pins			25		
ΣIOAL(11)	Ports 1, E	Total of all applicable pins			25			
ΣIOAL(12)	Ports 1, E, F	Total of all applicable pins			45			
Maximum power consumption	P _d max	QIP100E	T _a = -40 to +85°C			400	mW	
Operating temperature range	T _{opr}				-40	+85	°C	
Storage temperature range	T _{stg}				-45	+125	°C	

Note 1-1: Average output current is average of current in 100ms interval.

LC878496PB/C8PB/G0PB/G1PB/J2PB/J3PB/M4PB/P6PB/P7PB

Recommended operating range at Ta = -40°C to +85°C, VSS1 = VSS2 = VSS3 = VSS4 = 0V

Parameter	Symbol	Pins/Remarks	Conditions	Specification				unit
				VDD[V]	min	typ	max	
Operating supply voltage	VDD(1)	VDD1=VDD2=VDD3=VDD4	CPU operation		3.0		5.5	V
Memory sustaining supply voltage	VHD	VDD1=VDD2=VDD3=VDD4	RAM and register contents in HOLD mode.		1.0		5.5	
High level input voltage	VIH(1)	Ports 1, 2 SI2P0 to 3 P71 to P73 P70 port input/ interrupt side		3.0 to 5.5	0.35VDD +0.7		VDD	
	VIH(2)	Ports 0, 3, 8 Ports B, C, E, F PWM0, PWM1		3.0 to 5.5	0.3VDD +0.7		VDD	
	VIH(3)	Port70 Watchdog timer side		3.0 to 5.5	0.9VDD		VDD	
	VIH(4)	XT1, XT2, RES	When XT1 and XT2 general purpose input	3.0 to 5.5	0.75VDD		VDD	
Low level input voltage	UIL(1)	Ports 1, 2 SI2P0 to 3		4.0 to 5.5	VSS		0.1VDD +0.4	
	UIL(2)	P71 to P73 P70 port input/ interrupt side		3.0 to 4.0	VSS		0.2VDD	
	UIL(3)	Ports 0, 3, 8 Ports B, C, E, F		4.0 to 5.5	VSS		0.15VDD +0.4	
	UIL(4)	PWM0, PWM1		3.0 to 4.0	VSS		0.2VDD	
	UIL(5)	Port70 Watchdog timer side		3.0 to 5.5	VSS		0.8VDD -1.0	
	UIL(6)	XT1, XT2, RES	When XT1 and XT2 general purpose input	3.0 to 5.5	VSS		0.25VDD	
Instruction cycle time (Note 2-1)	tCYC			3.0 to 5.5	0.222			μs
Oscillation frequency range	FmCF	CF1, CF2	CF oscillation.	3.0 to 5.5	4		13.5	MHz
	FmRC		Internal RC oscillation	3.0 to 5.5	0.3	1.0	2.0	
	FmMRC		Frequency variable RC oscillation source oscillation	3.0 to 5.5		16		
	FsX'tal	XT1, XT2	32.768kHz crystal oscillation.	3.0 to 5.5		32.768		kHz

Note 2-1: Relationship between tCYC and oscillation frequency is 3/FmCF at a division ratio of 1/1 and 6/FmCF at a division ratio of 1/2.

LC878496PB/C8PB/G0PB/G1PB/J2PB/J3PB/M4PB/P6PB/P7PB

Electrical Characteristics at Ta = -40°C to +85°C, VSS1 = VSS2 = VSS3 = VSS4 = 0V

Parameter	Symbol	Pins/Remarks	Conditions	Specification				unit
				VDD[V]	min	typ	max	
High level input current	I _{IH} (1)	Ports 0, 1, 2 Ports 3, 7, 8 Ports B, C, E, F SI2P0 to SI2P3 $\overline{\text{RES}}$ PWM0, PWM1	Output disable Pull-up resistor OFF V _{IN} =V _{DD} (including the off-leak current of the output Tr.)	3.0 to 5.5			1	μA
	I _{IH} (2)	XT1, XT2	Using as an input port V _{IN} =V _{DD}	3.0 to 5.5			1	
	I _{IH} (3)	CF1	V _{IN} =V _{DD}	3.0 to 5.5	1	5	15	
Low level input current	I _{IL} (1)	Ports 0, 1, 2 Ports 3, 7, 8 Ports B, C, E, F SI2P0 to SI2P3 $\overline{\text{RES}}$ PWM0, PWM1	Output disable Pull-up resistor OFF V _{IN} =V _{DD} (including the off-leak current of the output Tr.)	3.0 to 5.5	-1			μA
	I _{IL} (2)	XT1, XT2	Using as an input port V _{IN} =V _{SS}	3.0 to 5.5	-1			
	I _{IL} (3)	CF1	V _{IN} =V _{SS}	3.0 to 5.5	-15	-5	-1	
High level output voltage	V _{OH} (1)	Ports 0, 1, 2, 3 Ports B, C, E, F	I _{OH} =-1.0mA	4.5 to 5.5	V _{DD} -1			V
	V _{OH} (2)	Ports 71, 72, 73 SI2P0 to SI2P3	I _{OH} =-0.4mA	3.0 to 5.5	V _{DD} -0.4			
	V _{OH} (3)	PWM0, PWM1	I _{OH} =-10mA	4.5 to 5.5	V _{DD} -1.5			
	V _{OH} (4)	P30, P31(PWM4, 5 output mode)	I _{OH} =-1.6mA	3.0 to 5.5	V _{DD} -0.4			
Low level output voltage	V _{OL} (1)	Ports 0, 1, 2, 3 Ports B, C, E, F	I _{OL} =1.0mA	4.5 to 5.5			1.0	V
	V _{OL} (2)	Ports 71, 72, 73 SI2P0 to SI2P3	I _{OL} =0.4mA	3.0 to 5.5			0.4	
	V _{OL} (3)	PWM0, PWM1	I _{OL} =10mA	4.5 to 5.5			1.5	
	V _{OL} (4)		I _{OL} =1.6mA	3.0 to 5.5			0.4	
	V _{OL} (5)	Ports 70, 8, XT2	I _{OL} =1.6mA	3.0 to 5.5			0.4	
Pull-up resistation	R _{pu} (1)	Ports 0, 1, 2, 3	V _{OH} =0.9V _{DD}	4.5 to 5.5	15	35	80	kΩ
	R _{pu} (2)	Port 7 Ports B, C, E, F		3.0 to 5.5	15	35	150	
Hysteresis voltage	V _{HYS}	$\overline{\text{RES}}$ Ports 1, 2, 7 SI2P0 to SI2P3		3.0 to 5.5		0.1V _{DD}		V
Pin capacitance	CP	All pins	<ul style="list-style-type: none"> • For pins other than that under test: V_{IN}=V_{SS} • f=1MHz • Ta=25°C 	3.0 to 5.5		10		pF
Power down detection voltage	V _{DET0}	V _{DD} 1	• Excluding the HOLD mode		3.0	3.3	3.6	V
	V _{DET1}		• HOLD mode		1.1	1.6	2.1	

LC878496PB/C8PB/G0PB/G1PB/J2PB/J3PB/M4PB/P6PB/P7PB

Serial I/O Characteristics at Ta = -40°C to +85°C, VSS1 = VSS2 = VSS3 = VSS4 = 0V

1. SIO0 Serial I/O Characteristics (Note 4-1-1)

Parameter	Symbol	Pins/ Remarks	Conditions	V _{DD} [V]	Specification					
					min	typ	max	unit		
Serial clock	Input clock	Frequency	tSCK(1)	SCK0(P12)	3.0 to 5.5				tCYC	
		Low level pulse width	tSCKL(1)							2
		High level pulse width	tSCKH(1)							1
			tSCKHA(1a)	<ul style="list-style-type: none"> Continuous data transmission/reception mode SIO2 is not in use simultaneous. See Fig. 2. (Note 4-1-2) 						4
		tSCKHA(1b)	<ul style="list-style-type: none"> Continuous data transmission/reception mode SIO2 is in use simultaneous. See Fig. 2. (Note 4-1-2) 	6						
	Output clock	Frequency	tSCK(2)	SCK0(P12)	3.0 to 5.5				tSCK	
		Low level pulse width	tSCKL(2)							4/3
		High level pulse width	tSCKH(2)							1/2
		tSCKHA(2a)	<ul style="list-style-type: none"> Continuous data transmission/reception mode SIO2 is not in use simultaneous. CMOS output selected. See Fig. 2. 	tSCKH(2) +2tCYC						tSCKH(2) +(10/3)tCYC
	tSCKHA(2b)	<ul style="list-style-type: none"> Continuous data transmission/reception mode SIO2 is in use simultaneous. CMOS output selected. See Fig. 2. 	tSCKH(2) +2tCYC	tSCKH(2) +(16/3)tCYC	tCYC					
Serial input	Data setup time	tsDI(1)	SIO(P11), SB0(P11)	3.0 to 5.5						
	Data hold time	thDI(1)	<ul style="list-style-type: none"> Must be specified with respect to rising edge of SIOCLK See fig. 2. 						0.03	
Serial output	Input clock	Output delay time	tdD0(1)	SIO(P11), SB0(P11)	3.0 to 5.5				μs	
			tdD0(2)							<ul style="list-style-type: none"> Continuous data transmission/reception mode (Note 4-1-3)
	tdD0(3)	<ul style="list-style-type: none"> Synchronous 8-bit mode. (Note 4-1-3) 	1tCYC +0.05							
	Output clock							(1/3)tCYC +0.05		

Note 4-1-1: These specifications are theoretical values. Add margin depending on its use.

Note 4-1-2: To use serial-clock-input in continuous trans/rec mode, a time from SIO₀RUN being set when serial clock is "H" to the first negative edge of the serial clock must be longer than tSCKHA.

Note 4-1-3: Must be specified with respect to falling edge of SIOCLK. Must be specified as the time to the beginning of output state change in open drain output mode. See Fig. 2.

LC878496PB/C8PB/G0PB/G1PB/J2PB/J3PB/M4PB/P6PB/P7PB

2. SIO1 Serial I/O Characteristics (Note 4-2-1)

Parameter		Symbol	Pins/ Remarks	Conditions	V _{DD} [V]	Specification				
						min	typ	max	unit	
Serial clock	Input clock	Frequency	tSCK(3)	SCK1(P15)	• See Fig. 2.	3.0 to 5.5	2			tCYC
		Low level pulse width	tSCKL(3)				1			
		High level pulse width	tSCKH(3)				1			
	Output clock	Frequency	tSCK(4)	SCK1(P15)	• CMOS output selected. • See Fig. 2.	3.0 to 5.5	2			tSCK
		Low level pulse width	tSCKL(4)				1/2			
		High level pulse width	tSCKH(4)				1/2			
Serial input	Data setup time	tsDI(2)	SI1(P14), SB1(P14)	• Must be specified with respect to rising edge of SIOCLK • See fig. 2.	3.0 to 5.5	0.03				
	Data hold time	thDI(2)				0.03				
Serial output	Output delay time	tdD0(4)	SO1(P13), SB1(P14)	• Must be specified with respect to falling edge of SIOCLK • Must be specified as the time to the beginning of output state change in open drain output mode. • See Fig. 2.	3.0 to 5.5			(1/3)tCYC +0.05	μs	

Note 4-2-1: These specifications are theoretical values. Add margin depending on its use.

LC878496PB/C8PB/G0PB/G1PB/J2PB/J3PB/M4PB/P6PB/P7PB

3. SIO2 Serial I/O Characteristics (Note 4-3-1)

Parameter	Symbol	Pins/ Remarks	Conditions	V _{DD} [V]	Specification					
					min	typ	max	unit		
Serial clock	Input clock	Frequency	tSCK(5)	SCK2 (SI2P2)	• See Fig. 2.	3.0 to 5.5	2			tCYC
		Low level pulse width	tSCKL(5)				1			
		High level pulse width	tSCKH(5)				1			
			tSCKHA(5a)				• Continuous data transmission/reception mode of SIO0 is not in use simultaneous. • See Fig. 2. • (Note 4-3-2)			
		tSCKHA(5b)	• Continuous data transmission/reception mode of SIO0 is in use simultaneous. • See Fig. 2. • (Note 4-3-2)			7				
	Output clock	Frequency	tSCK(6)	SCK2 (SI2P2) SCK2O (SI2P3)	• CMOS output selected. • See Fig. 2.	3.0 to 5.5	4/3			tSCK
		Low level pulse width	tSCKL(6)				1/2			
		High level pulse width	tSCKH(6)				1/2			
		tSCKHA(6a)	• Continuous data transmission/reception mode of SIO0 is not in use simultaneous. • CMOS output selected. • See Fig. 2.				tSCKH(6) +(5/3)tCYC		tSCKH(6) +(10/3)tCYC	tCYC
	tSCKHA(6b)	• Continuous data transmission/reception mode of SIO0 is in use simultaneous. • CMOS output selected. • See Fig. 2.			tSCKH(6) +(5/3)tCYC		tSCKH(6) +(19/3)tCYC	tCYC		
Serial input	Data setup time	tsDI(3)	SI2(SI2P1), SB2(SI2P1)	• Must be specified with respect to rising edge of SIOCLK • See fig. 2.	3.0 to 5.5	0.03			μs	
	Data hold time	thDI(3)				0.03				
Serial output	Output delay time	tdD0(5)	SO2(SI2P0), SB2(SI2P1)	• Must be specified with respect to falling edge of SIOCLK • Must be specified as the time to the beginning of output state change in open drain output mode. • See Fig. 2.	3.0 to 5.5			(1/3)tCYC +0.05	μs	

Note 4-3-1: These specifications are theoretical values. Add margin depending on its use.

Note 4-3-2: To use serial-clock-input, a time from SI2RUN being set when serial clock is "H" to the first negative edge of the serial clock must be longer than tSCKHA.

LC878496PB/C8PB/G0PB/G1PB/J2PB/J3PB/M4PB/P6PB/P7PB

Pulse Input Conditions at Ta = -40°C to +85°C, VSS1 = VSS2 = VSS3 = VSS4 = 0V

Parameter	Symbol	Pins/Remarks	Conditions	Specification				
				VDD[V]	min	typ	max	unit
High/low level pulse wid	tPIH(1) tPIL(1)	INT0(P70), INT1(P71), INT2(P72), INT4(P20 to P23), INT5(P24 to P27), INT6(P20), INT7(P24)	<ul style="list-style-type: none"> Interrupt source flag can be set. Event inputs for timer 0 or 1 are enabled. 	3.0 to 5.5	1			tCYC
	tPIH(2) tPIL(2)	INT3(P73) when noise filter time constant is 1/1.	<ul style="list-style-type: none"> Interrupt source flag can be set. Event inputs for timer 0 are enabled. 	3.0 to 5.5	2			
	tPIH(3) tPIL(3)	INT3(P73) (The noise rejection clock is selected to 1/32.)	<ul style="list-style-type: none"> Interrupt source flag can be set. Event inputs for timer 0 are enabled. 	3.0 to 5.5	64			
	tPIH(4) tPIL(4)	INT3(P73) (The noise rejection clock is selected to 1/128.)	<ul style="list-style-type: none"> Interrupt source flag can be set. Event inputs for timer 0 are enabled. 	3.0 to 5.5	256			
	tPIL(5)	RES	<ul style="list-style-type: none"> Reset acceptable * See Fig. below 	3.0 to 5.5	200			μs

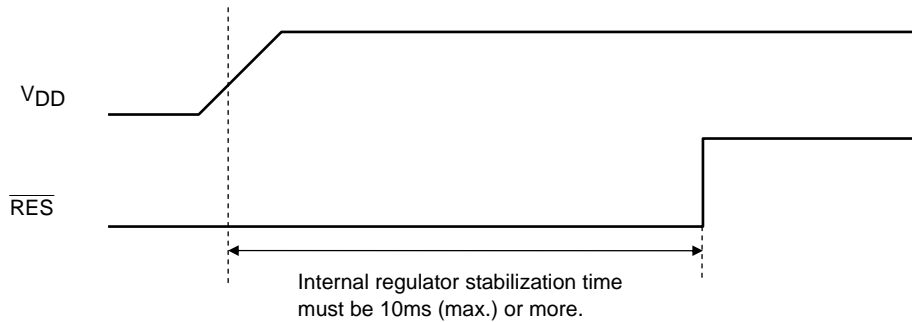


Figure Power-on Time Reset Timing

AD Converter Characteristics at Ta = -40°C to +85°C, VSS1 = VSS2 = VSS3 = VSS4 = 0V

Parameter	Symbol	Pins/Remarks	Conditions	Specification				
				VDD[V]	min	typ	max	unit
Resolution	N	AN0(P80)		3.0 to 5.5		8		bit
Absolute precision	ET	to AN7(P87)	(Note 6-1)	3.0 to 5.5			±1.5	LSB
Conversion time	TCAD	AN8(P70) AN9(P71)	AD conversion time=32×tCYC (when ADCR2=0) (Note 6-2)	3.0 to 5.5	7.104(tCYC=0.222μs)			μs
			AD conversion time=64×tCYC (when ADCR2=1) (Note 6-2)	3.0 to 5.5	14.21(tCYC=0.222μs)			
Analog input voltage range	VAIN			3.0 to 5.5	VSS		VDD	V
Analog port input current	IAINH		VAIN=VDD	3.0 to 5.5			1	μA
	IAINL		VAIN=VSS	3.0 to 5.5		-1		

Note 6-1: The quantization error (±1/2 LSB) is excluded from the absolute accuracy value.

Note 6-2: The conversion time refers to the interval from the time the instruction for starting the converter is issued till the complete digital value corresponding to the analog input value is loaded in the required register.

LC878496PB/C8PB/G0PB/G1PB/J2PB/J3PB/M4PB/P6PB/P7PB

Consumption Current Characteristics at Ta = -40°C to +85°C, VSS1 = VSS2 = VSS3 = VSS4 = 0V

Parameter	Symbol	Pins/ Remarks	Conditions	Specification				
				V _{DD} [V]	min	typ	max	unit
Normal mode consumption current (Note 7-1)	IDDOP(1)	V _{DD1} =V _{DD2} =V _{DD3} =V _{DD4}	<ul style="list-style-type: none"> FmCF=13.5MHz oscillation mode FmX'tal=32.768kHz by crystal oscillation mode 	4.5 to 5.5		8.0	10.0	mA
	IDDOP(2)		<ul style="list-style-type: none"> System clock set to 13.5MHz side Internal RC oscillation stopped Frequency variable RC oscillation stopped 1/1 frequency division ratio. 	3.0 to 4.5		6.0	8.0	
	IDDOP(3)		<ul style="list-style-type: none"> FmCF=8MHz oscillation mode FmX'tal=32.768kHz by crystal oscillation mode 	4.5 to 5.5		5.0	6.0	
	IDDOP(4)		<ul style="list-style-type: none"> System clock set to 8MHz side Internal RC oscillation stopped Frequency variable RC oscillation stopped 1/1 frequency division ratio. 	3.0 to 4.5		4.0	5.0	
	IDDOP(5)		<ul style="list-style-type: none"> FmCF=4MHz oscillation mode FmX'tal=32.768kHz by crystal oscillation mode 	4.5 to 5.5		3.0	4.0	
	IDDOP(6)		<ul style="list-style-type: none"> System clock set to 4MHz side Internal RC oscillation stopped Frequency variable RC oscillation stopped 1/1 frequency division ratio. 	3.0 to 4.5		2.4	3.0	
	IDDOP(7)		<ul style="list-style-type: none"> FmCF=0Hz (oscillation stopped) FmX'al=32.768kHz by crystal oscillation mode. 	4.5 to 5.5		0.8	1.2	
	IDDOP(8)		<ul style="list-style-type: none"> System clock set to internal RC oscillation Frequency variable RC oscillation stopped 1/2 frequency division ratio. 	3.0 to 4.5		0.6	1.0	
	IDDOP(9)		<ul style="list-style-type: none"> FmCF=0Hz (oscillation stopped) FmX'al=32.768kHz by crystal oscillation mode. 	4.5 to 5.5		0.8	2.0	
	IDDOP(10)		<ul style="list-style-type: none"> Internal RC oscillation stopped System clock set to 1MHz with frequency variable RC oscillation 1/2 frequency division ratio. 	3.0 to 4.5		0.5	1.5	
	IDDOP(11)		<ul style="list-style-type: none"> FmCF=0Hz (oscillation stopped) FmX'al=32.768kHz by crystal oscillation mode. 	4.5 to 5.5		300	500	
	IDDOP(12)		<ul style="list-style-type: none"> System clock set to 32.768kHz side. Internal RC oscillation stopped Frequency variable RC oscillation stopped 1/2 frequency division ratio. 	3.0 to 4.5		250	450	

Note 7-1: The consumption current value includes none of the currents that flow into the output Tr and internal pull-up resistors.

General-purpose I/O port "L" output when the above-mentioned data is measured

However, the P0 port is an input setting because of the mode setting

Continued on next page.

LC878496PB/C8PB/G0PB/G1PB/J2PB/J3PB/M4PB/P6PB/P7PB

Continued from preceding page.

Parameter	Symbol	Pins/ Remarks	Conditions	Specification					
				V _{DD} [V]	min	typ	max	unit	
HALT mode consumption current (Note 7-1)	IDDHALT(1)	V _{DD1} =V _{DD2} =V _{DD3} =V _{DD4}	<ul style="list-style-type: none"> • HALT mode • FmCF=13.5MHz oscillation mode • FmX'tal=32.768kHz by crystal oscillation mode 	4.5 to 5.5		2.0	3.0	mA	
	IDDHALT(2)		<ul style="list-style-type: none"> • System clock set to 13.5MHz side • Internal RC oscillation stopped • Frequency variable RC oscillation stopped • 1/1 frequency division ratio. 	3.0 to 4.5		1.8	2.5		
	IDDHALT(3)		<ul style="list-style-type: none"> • HALT mode • FmCF=8MHz oscillation mode • FmX'tal=32.768kHz by crystal oscillation mode 	4.5 to 5.5		1.2	1.8		
	IDDHALT(4)		<ul style="list-style-type: none"> • System clock set to 8MHz side • Internal RC oscillation stopped • Frequency variable RC oscillation stopped • 1/1 frequency division ratio. 	3.0 to 4.5		1.0	1.5		
	IDDHALT(5)		<ul style="list-style-type: none"> • HALT mode • FmCF=4MHz oscillation mode • FmX'tal=32.768kHz by crystal oscillation mode 	4.5 to 5.5		0.6	0.9		
	IDDHALT(6)		<ul style="list-style-type: none"> • System clock set to 4MHz side • Internal RC oscillation stopped • Frequency variable RC oscillation stopped • 1/1 frequency division ratio. 	3.0 to 4.5		0.5	0.7		
	IDDHALT(7)		<ul style="list-style-type: none"> • HALT mode • FmCF=0Hz (oscillation stopped) • FmX'tal=32.768kHz by crystal oscillation mode 	4.5 to 5.5		0.5	1.0		
	IDDHALT(8)		<ul style="list-style-type: none"> • System clock set to internal RC oscillation • Frequency variable RC oscillation stopped • 1/2 frequency division ratio. 	3.0 to 4.5		0.3	0.8		
	IDDHALT(9)		<ul style="list-style-type: none"> • HALT mode • FmCF=0Hz (oscillation stopped) • FmX'al=32.768kHz by crystal oscillation mode. 	4.5 to 5.5		1.0	2.0		
	IDDHALT(10)		<ul style="list-style-type: none"> • Internal RC oscillation stopped • System clock set to 1MHz with frequency variable RC oscillation • 1/2 frequency division ratio. 	3.0 to 4.5		0.8	1.5		
	IDDHALT(11)		<ul style="list-style-type: none"> • HALT mode • FmCF=0Hz (oscillation stopped) • FmX'al=32.768kHz by crystal oscillation mode. 	4.5 to 5.5		250	500		μA
	IDDHALT(12)		<ul style="list-style-type: none"> • System clock set to 32.768kHz side. • Internal RC oscillation stopped • Frequency variable RC oscillation stopped • 1/2 frequency division ratio. 	3.0 to 4.5		200	400		
Current drain during HOLD mode	IDDHOLD(1)	V _{DD1}	• HOLD mode	4.5 to 5.5		1.5	20.0		
	IDDHOLD(2)			3.0 to 4.5		1.0	18.0		
Current drain during time-base clock HOLD mode	IDDHOLD(3)	V _{DD1}	<ul style="list-style-type: none"> • Timer HOLD mode • FmX'tal=32.768kHz by crystal oscillation mode 	4.5 to 5.5		150	300		
	IDDHOLD(4)			3.0 to 4.5		100	200		

Note 7-1: The consumption current value includes none of the currents that flow into the output Tr and internal pull-up resistors.

General-purpose I/O port "L" output when the above-mentioned data is measured

However, the P0 port is an input setting because of the mode setting

Continued on next page.

LC878496PB/C8PB/G0PB/G1PB/J2PB/J3PB/M4PB/P6PB/P7PB

Continued from preceding page.

Parameter	Symbol	Pins/ Remarks	Conditions	Specification				
				V _{DD} [V]	min	typ	max	unit
Current drain during Intermittent for clock mode	IDDCLOCK(1)	V _{DD1} =V _{DD2} =V _{DD3} =V _{DD4}	<ul style="list-style-type: none"> • Intermittent for clock mode • Each 500ms is shifted to a normal mode, and 20 steps are executed. • FmCF=0Hz (oscillation stopped) • FmX'al=32.768kHz by crystal oscillation mode. • System clock set to 32.768kHz side. • Internal RC oscillation stopped • Frequency variable RC oscillation stopped • 1/1 frequency division ratio. 	4.5 to 5.5		250	500	μA
	IDDCLOCK(2)			3.0 to 4.5		200	400	

Note 7-1: The consumption current value includes none of the currents that flow into the output Tr and internal pull-up resistors.

General-purpose I/O port "L" output when the above-mentioned data is measured

However, the P0 port is an input setting because of the mode setting

UART(Full Duplex) Operating Conditions at Ta = -40°C to +85°C, V_{SS1} = V_{SS2} = V_{SS3} = V_{SS4} = 0V

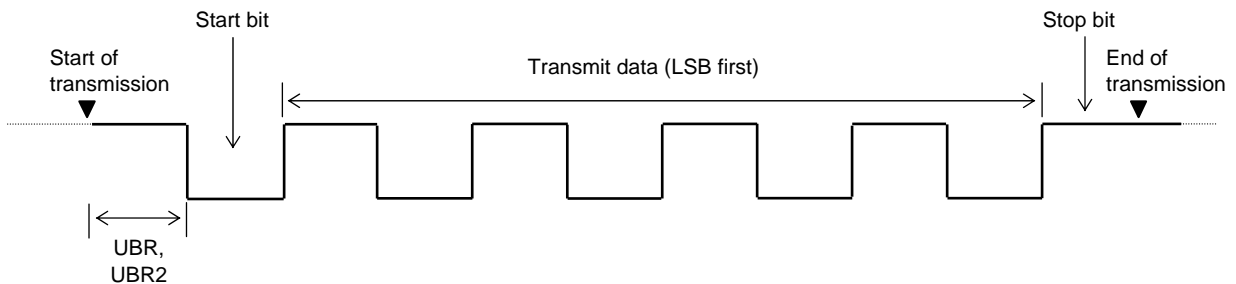
Parameter	Symbol	Pins/ Remarks	Conditions	Specification				
				V _{DD} [V]	min	typ	max	unit
Clock rate	UBR, UBR2	UTX1(P32), RTX1(P33), UTX2(P33), RTX2(P34)		3.0 to 5.5	16/3		8192/3	tCYC

Data length: 7, 8, and 9 bits (LSB first)

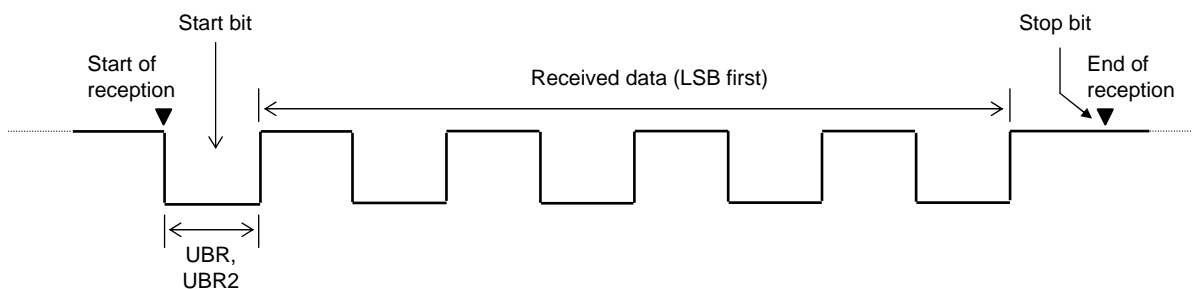
Stop bits: 1 bit (2-bit in continuous data transmission)

Parity bits: Non

Example of Continuous 8-bit Data Transmission Mode Processing (First Transmit Data=55H)



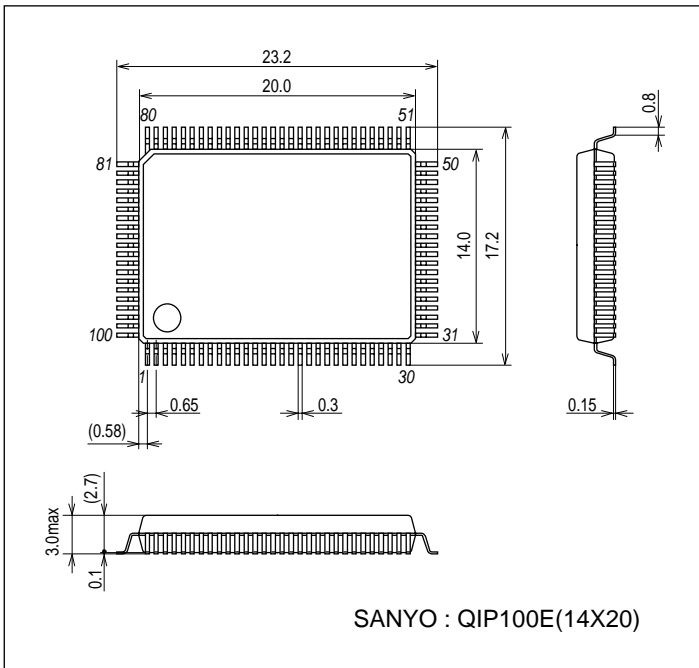
Example of Continuous 8-bit Data Reception Mode Processing (First Receive Data=55H)



Package Dimensions

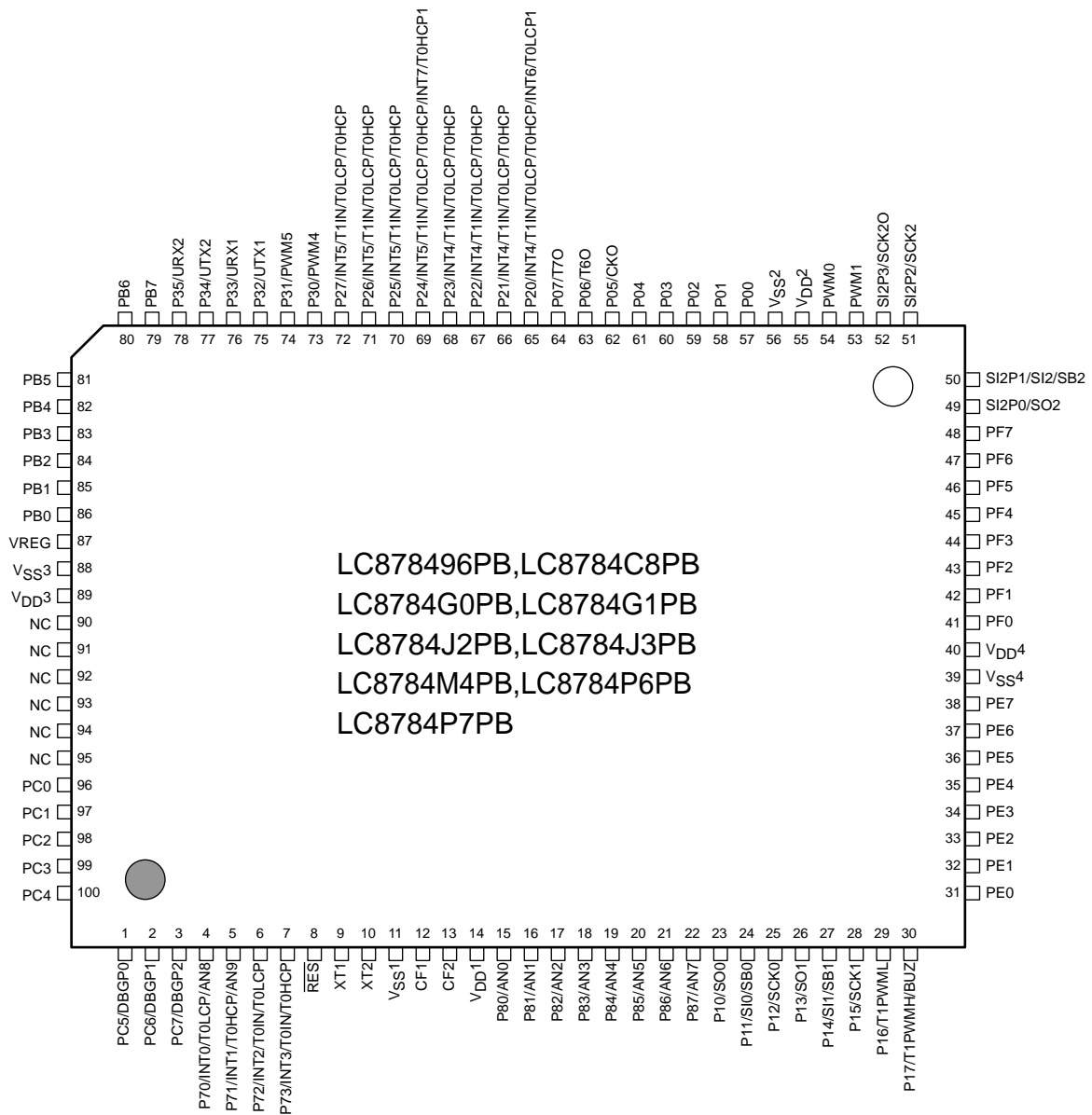
unit : mm (typ)

3151A



LC878496PB/C8PB/G0PB/G1PB/J2PB/J3PB/M4PB/P6PB/P7PB

Pin Assignment



Top view

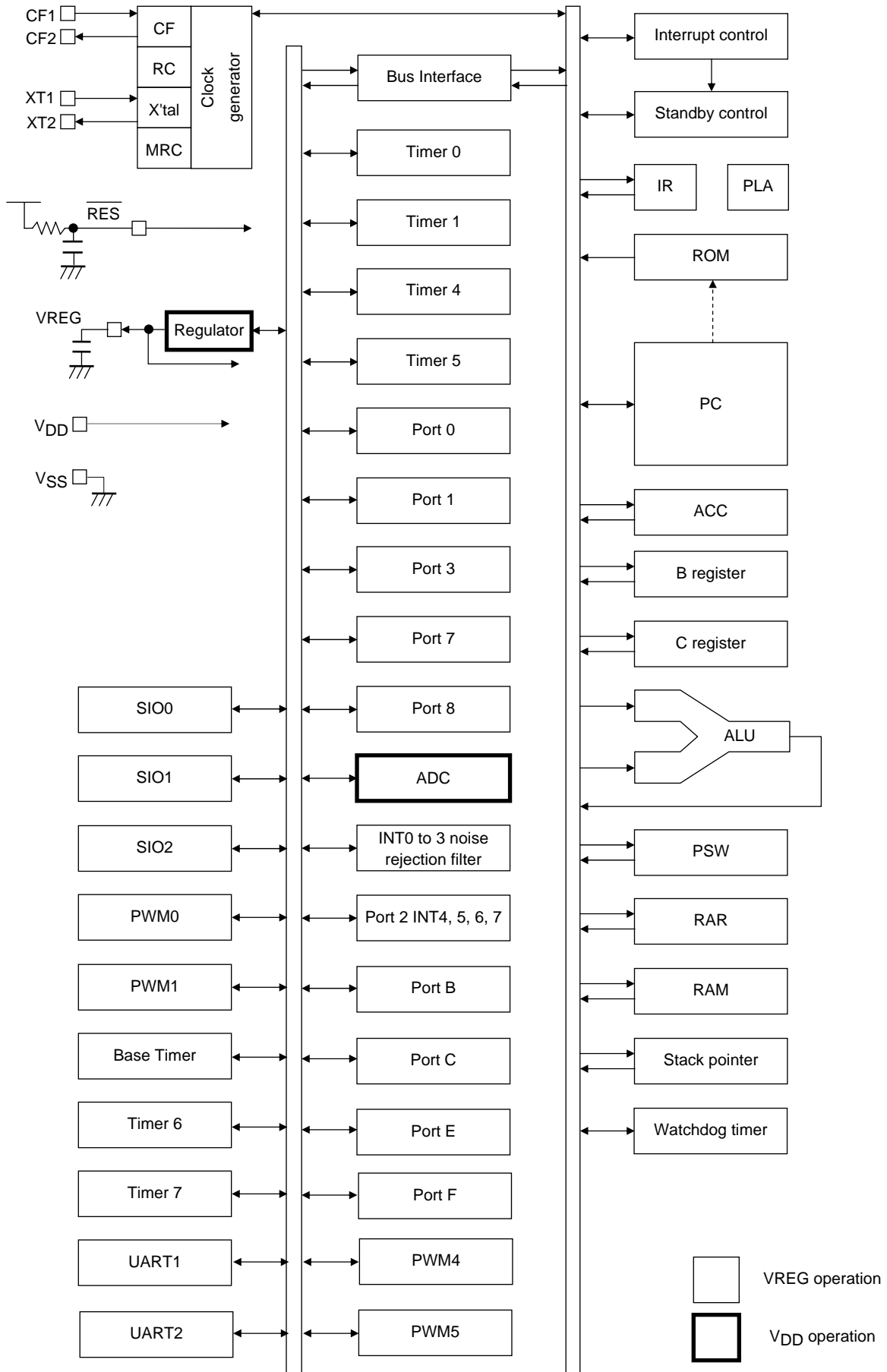
SANYO: QIP100E (14x20) "Lead Free Product"

LC878496PB/C8PB/G0PB/G1PB/J2PB/J3PB/M4PB/P6PB/P7PB

PIN No.	NAME
1	PC5/DBGP0
2	PC6/DBGP1
3	PC7/DBGP2
4	P70/INT0/T0LCP/AN8
5	P71/INT1/T0HCP/AN9
6	P72/INT2/T0IN/T0LCP
7	P73/INT3/T0IN/T0HCP
8	RES
9	XT1
10	XT2
11	VSS1
12	CF1
13	CF2
14	VDD1
15	P80/AN0
16	P81/AN1
17	P82/AN2
18	P83/AN3
19	P84/AN4
20	P85/AN5
21	P86/AN6
22	P87/AN7
23	P10/SO0
24	P11/SI0/SB0
25	P12/SCK0
26	P13/SO1
27	P14/SI1/SB1
28	P15/SCK1
29	P16/T1PWML
30	P17/T1PWMH/BUZ
31	PE0
32	PE1
33	PE2
34	PE3
35	PE4
36	PE5
37	PE6
38	PE7
39	VSS4
40	VDD4
41	PF0
42	PF1
43	PF2
44	PF3
45	PF4
46	PF5
47	PF6
48	PF7
49	SI2P0/SO2
50	SI2P1/SI2/SB2

PIN No.	NAME
51	SI2P2/SCK2
52	SI2P3/SCK2O
53	PWM1
54	PWM0
55	VDD2
56	VSS2
57	P00
58	P01
59	P02
60	P03
61	P04
62	P05/CKO
63	P06/T6O
64	P07/T7O
65	P20/INT4/T1IN/T0LCP/T0HCP/INT6/T0LCP1
66	P21/INT4/T1IN/T0LCP/T0HCP
67	P22/INT4/T1IN/T0LCP/T0HCP
68	P23/INT4/T1IN/T0LCP/T0HCP
69	P24/INT5/T1IN/T0LCP/T0HCP/INT7/T0HCP1
70	P25/INT5/T1IN/T0LCP/T0HCP
71	P26/INT5/T1IN/T0LCP/T0HCP
72	P27/INT5/T1IN/T0LCP/T0HCP
73	P30/PWM4
74	P31/PWM5
75	P32/UTX1
76	P33/URX1
77	P34/UTX2
78	P35/URX2
79	PB7
80	PB6
81	PB5
82	PB4
83	PB3
84	PB2
85	PB1
86	PB0
87	VREG
88	VSS3
89	VDD3
90	NC
91	NC
92	NC
93	NC
94	NC
95	NC
96	PC0
97	PC1
98	PC2
99	PC3
100	PC4

System Block Diagram



LC878496PB/C8PB/G0PB/G1PB/J2PB/J3PB/M4PB/P6PB/P7PB

Pin Description

Name	Pin No.	I/O	Function Description	Option																														
V _{SS} 1	11	-	<ul style="list-style-type: none"> Power supply pin Connect it with GND 	No																														
V _{SS} 2	56																																	
V _{SS} 3	88																																	
V _{SS} 4	39																																	
V _{DD} 1	14	-	<ul style="list-style-type: none"> Power supply pin Connect it with V_{DD} 	No																														
V _{DD} 2	55																																	
V _{DD} 3	89																																	
V _{DD} 4	40																																	
Port 0		I/O	<ul style="list-style-type: none"> 8-bit I/O port I/O specifiable in 4-bit units Pull-up resistor can be turned on and off in 4-bit units HOLD release input Port 0 interrupt input Pin functions P05: System clock output P06: Timer 6 toggle output P07: Timer 7 toggle output 	Yes																														
P00	57																																	
P01	58																																	
P02	59																																	
P03	60																																	
P04	61																																	
P05	62																																	
P06	63																																	
P07	64																																	
Port 1		I/O	<ul style="list-style-type: none"> 8-bit I/O port I/O specifiable in 1-bit units Pull-up resistor can be turned on and off in 1-bit units Pin functions P10: SIO0 data output P11: SIO0 data input, bus I/O P12: SIO0 clock I/O P13: SIO1 data output P14: SIO1 data input, bus I/O P15: SIO1 clock I/O P16: Timer 1 PWML output P17: Timer 1 PWMH output, beeper output 	Yes																														
P10	23																																	
P11	24																																	
P12	25																																	
P13	26																																	
P14	27																																	
P15	28																																	
P16	29																																	
P17	30																																	
Port 2		I/O	<ul style="list-style-type: none"> 8-bit I/O port I/O specifiable in 1-bit units Pull-up resistor can be turned on and off in 1-bit units Other functions P20: INT4 input/HOLD reset input/timer 1 event input/timer 0L capture input/timer 0H capture input/INT6 input/timer 0L capture 1 input P21 to P23: INT4 input/HOLD reset input/timer 1 event input/timer 0L capture input/timer 0H capture input P24: INT5 input/HOLD reset input/timer 1 event input/timer 0L capture input/timer 0H capture input/INT7 input/timer 0H capture 1 input P25 to P27: INT5 input/HOLD reset input/timer 1 event input/timer 0L capture input/timer 0H capture input Interrupt acknowledge type Interrupt acknowledge type <table border="1" style="width: 100%; border-collapse: collapse; text-align: center;"> <thead> <tr> <th></th> <th>Rising</th> <th>Falling</th> <th>Rising/ Falling</th> <th>H level</th> <th>L level</th> </tr> </thead> <tbody> <tr> <td>INT4</td> <td>enable</td> <td>enable</td> <td>enable</td> <td>disable</td> <td>disable</td> </tr> <tr> <td>INT5</td> <td>enable</td> <td>enable</td> <td>enable</td> <td>disable</td> <td>disable</td> </tr> <tr> <td>INT6</td> <td>enable</td> <td>enable</td> <td>enable</td> <td>disable</td> <td>disable</td> </tr> <tr> <td>INT7</td> <td>enable</td> <td>enable</td> <td>enable</td> <td>disable</td> <td>disable</td> </tr> </tbody> </table>		Rising	Falling	Rising/ Falling	H level	L level	INT4	enable	enable	enable	disable	disable	INT5	enable	enable	enable	disable	disable	INT6	enable	enable	enable	disable	disable	INT7	enable	enable	enable	disable	disable	Yes
	Rising	Falling		Rising/ Falling	H level	L level																												
INT4	enable	enable		enable	disable	disable																												
INT5	enable	enable		enable	disable	disable																												
INT6	enable	enable		enable	disable	disable																												
INT7	enable	enable		enable	disable	disable																												
P20	65																																	
P21	66																																	
P22	67																																	
P23	68																																	
P24	69																																	
P25	70																																	
P26	71																																	
P27	72																																	
Port 3		I/O	<ul style="list-style-type: none"> 6-bit I/O port I/O specifiable in 1-bit units Pull-up resistor can be turned on and off in 1-bit units Pin functions P30: PWM4 output P31: PWM5 output P32: UART1 transmit P33: UART1 receive P34: UART2 transmit P35: UART2 receive 	Yes																														
P30	73																																	
P31	74																																	
P32	75																																	
P33	76																																	
P34	77																																	
P35	78																																	

Continued on next page.

LC878496PB/C8PB/G0PB/G1PB/J2PB/J3PB/M4PB/P6PB/P7PB

Continued from preceding page.

Name	Pin No.	I/O	Function Description	Option																														
Port 7		I/O	<ul style="list-style-type: none"> • 4-bit I/O port • I/O specifiable in 1-bit units • Pull-up resistor can be turned on and off in 1-bit units • Other functions <p>P70: INT0 input/HOLD release input/Timer 0L capture input/Output for watchdog timer/ AD converter input port</p> <p>P71: INT1 input/HOLD release input/Timer 0H capture input/ AD converter input port</p> <p>P72: INT2 input/HOLD release input/Timer 0 event input/timer0L capture input</p> <p>P73: INT3 input with noise filter/Timer 0 event input/timer 0H capture input</p> <ul style="list-style-type: none"> • Interrupt acknowledge type <table border="1" style="width: 100%; text-align: center;"> <thead> <tr> <th></th> <th>Rising</th> <th>Falling</th> <th>Rising/ Falling</th> <th>H level</th> <th>L level</th> </tr> </thead> <tbody> <tr> <td>INT0</td> <td>enable</td> <td>enable</td> <td>disable</td> <td>enable</td> <td>enable</td> </tr> <tr> <td>INT1</td> <td>enable</td> <td>enable</td> <td>disable</td> <td>enable</td> <td>enable</td> </tr> <tr> <td>INT2</td> <td>enable</td> <td>enable</td> <td>enable</td> <td>disable</td> <td>disable</td> </tr> <tr> <td>INT3</td> <td>enable</td> <td>enable</td> <td>enable</td> <td>disable</td> <td>disable</td> </tr> </tbody> </table>		Rising	Falling	Rising/ Falling	H level	L level	INT0	enable	enable	disable	enable	enable	INT1	enable	enable	disable	enable	enable	INT2	enable	enable	enable	disable	disable	INT3	enable	enable	enable	disable	disable	No
	Rising	Falling		Rising/ Falling	H level	L level																												
INT0	enable	enable		disable	enable	enable																												
INT1	enable	enable		disable	enable	enable																												
INT2	enable	enable		enable	disable	disable																												
INT3	enable	enable	enable	disable	disable																													
P70	4																																	
P71	5																																	
P72	6																																	
P73	7																																	
Port 8		I/O	<ul style="list-style-type: none"> • 8-bit I/O port (Output: N-channel open drain) • I/O specifiable in 1-bit units • Other functions <p>P80 to P87: AD converter input port</p>	No																														
P80	15																																	
P81	16																																	
P82	17																																	
P83	18																																	
P84	19																																	
P85	20																																	
P86	21																																	
P87	22																																	
Port B		I/O	<ul style="list-style-type: none"> • 8-bit I/O port • I/O specifiable in 1-bit units • Pull-up resistor can be turned on and off in 1-bit units 	Yes																														
PB0	86																																	
PB1	85																																	
PB2	84																																	
PB3	83																																	
PB4	82																																	
PB5	81																																	
PB6	80																																	
PB7	79																																	
Port C		I/O	<ul style="list-style-type: none"> • 8-bit I/O port • I/O specifiable in 1-bit units • Pull-up resistor can be turned on and off in 1-bit units 	Yes																														
PC0	96																																	
PC1	97																																	
PC2	98																																	
PC3	99																																	
PC4	100																																	
PC5	1																																	
PC6	2																																	
PC7	3																																	
Port E		I/O	<ul style="list-style-type: none"> • 8-bit I/O port • I/O specifiable in 2-bit units • Pull-up resistor can be turned on and off in 1-bit units 	No																														
PE0	31																																	
PE1	32																																	
PE2	33																																	
PE3	34																																	
PE4	35																																	
PE5	36																																	
PE6	37																																	
PE7	38																																	
Port F		I/O	<ul style="list-style-type: none"> • 8-bit I/O port • I/O specifiable in 2-bit units • Pull-up resistor can be turned on and off in 1-bit units 	No																														
PF0	41																																	
PF1	42																																	
PF2	43																																	
PF3	44																																	
PF4	45																																	
PF5	46																																	
PF6	47																																	
PF7	48																																	

Continued on next page.

LC878496PB/C8PB/G0PB/G1PB/J2PB/J3PB/M4PB/P6PB/P7PB

Continued from preceding page.

Name	Pin No.	I/O	Function Description	Option
SIO2	49 50 51 52	I/O	<ul style="list-style-type: none"> • 4-bit I/O port • I/O specifiable in 1-bit units • Shared functions: <ul style="list-style-type: none"> SI2P0: SIO2 data output SI2P1: SIO2 data input, bus input/output SI2P2: SIO2 clock input/output SI2P3: SIO2 clock output 	No
SI2P0				
SI2P1				
SI2P2				
SI2P3				
PWM0	54	I/O	<ul style="list-style-type: none"> • PWM0 output port • General-purpose I/O available 	No
PWM1	53	I/O	<ul style="list-style-type: none"> • PWM1 output port • General-purpose I/O available 	No
RES	8	I	<ul style="list-style-type: none"> • Reset pin • Must connect it with V_{DD1} through RC (Refer to Page27 Figure 1) 	No
XT1	9	I	<ul style="list-style-type: none"> • Input terminal for 32.768kHz X'tal oscillation • Shared functions: <ul style="list-style-type: none"> General-purpose input port Must be set for input with software and connected to V_{SS1} if not to be used. 	No
XT2	10	I/O	<ul style="list-style-type: none"> • Output terminal for 32.768kHz X'tal oscillation • Shared functions: <ul style="list-style-type: none"> General-purpose I/O port Must be set for general-purpose output and kept open if not to be used. Please connect suitable dumping resistance for the crystal used between the terminal when you use it as Output terminal for 32.768kHz X'tal oscillation. 	No
CF1	12	I	<ul style="list-style-type: none"> • Input terminal for oscillation 	No
CF2	13	O	<ul style="list-style-type: none"> • Output terminal for oscillation 	No
NC	90	-	<ul style="list-style-type: none"> • Please open the terminal 	No
NC	91	-	<ul style="list-style-type: none"> • Please open the terminal 	No
NC	92	-	<ul style="list-style-type: none"> • Please open the terminal 	No
NC	93	-	<ul style="list-style-type: none"> • Please open the terminal 	No
NC	94	-	<ul style="list-style-type: none"> • Please open the terminal 	No
NC	95	-	<ul style="list-style-type: none"> • Please open the terminal 	No
VREG	87	O	<ul style="list-style-type: none"> • Internal low voltage output • Connect a bypass capacitor to this pin. (Refer to Page27) 	No

Port Output Types

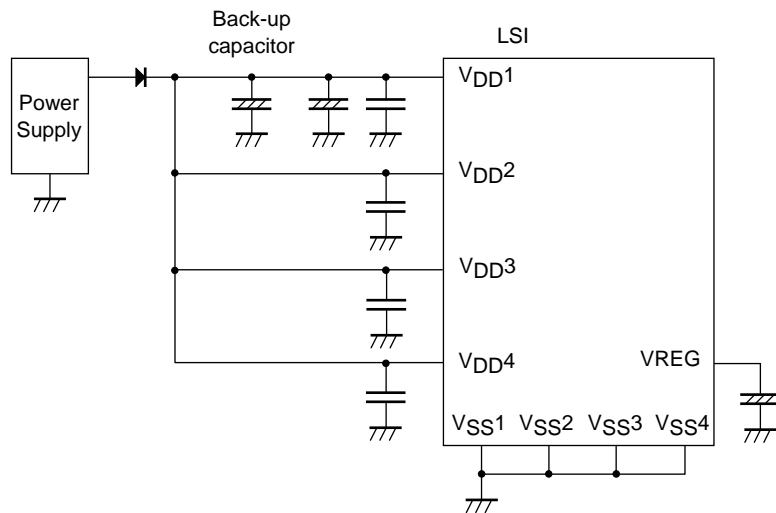
The table below lists the types of port outputs and the presence/absence of a pull-up resistor. Data can be read into any input port even if it is in the output mode.

Port	Options Selected in Units of	Option Type	Output Type	Pull-up Resistor
P00 to P07	1 bit	1	CMOS	Programmable (Note 1)
		2	N-channel open drain	No
P10 to P17 P20 to P27 P30 to P35	1 bit	1	CMOS	Programmable
		2	N-channel open drain	Programmable
PB0 to PB7 PC0 to PC7	1 bit	1	CMOS	Programmable
		2	N-channel open drain	Programmable
PE0 to PE7 PF0 to PF7	-	No	CMOS	Programmable
P70	-	No	N-channel open drain	Programmable
P71 to P73	-	No	CMOS	Programmable
P80 to P87	-	No	N-channel open drain	No
SI2P0, SI2P2, SI2P3 PWM0, PWM1	-	No	CMOS	No
SI2P1	-	No	CMOS (when selected as ordinary port) N-channel open drain (When SIO2 data is selected)	No
XT1	-	No	Input only	No
XT2	-	No	Output for 32.768kHz quartz oscillator N-channel open drain (when in general-purpose output mode)	No

Note 1: Programmable pull-up resistors for port 0 are controlled in 4 bit units (P00 to 03, P04 to 07).

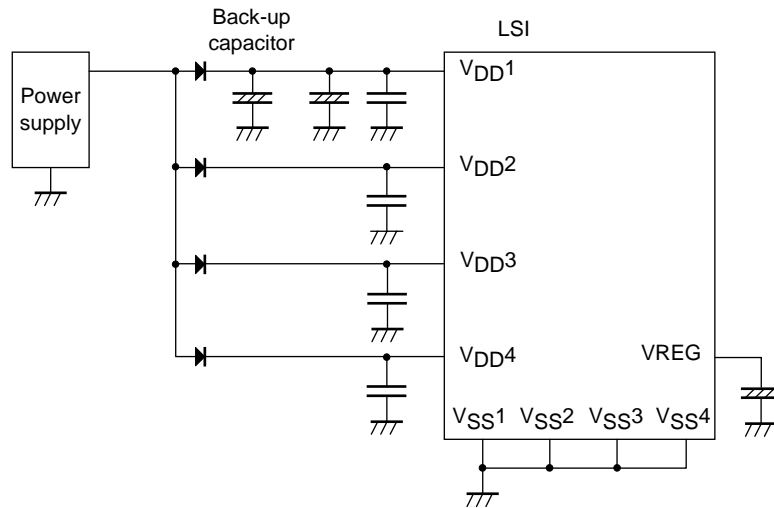
*1: Make the following connection to minimize the noise input to the V_{DD1} pin and prolong the backup time. Be sure to electrically short the V_{SS1}, V_{SS2}, AV_{SS} and V_{SS4} pins.

Example 1: When backup is active in the HOLD mode, the high level of the port outputs is supplied by the backup capacitors.



LC878496PB/C8PB/G0PB/G1PB/J2PB/J3PB/M4PB/P6PB/P7PB

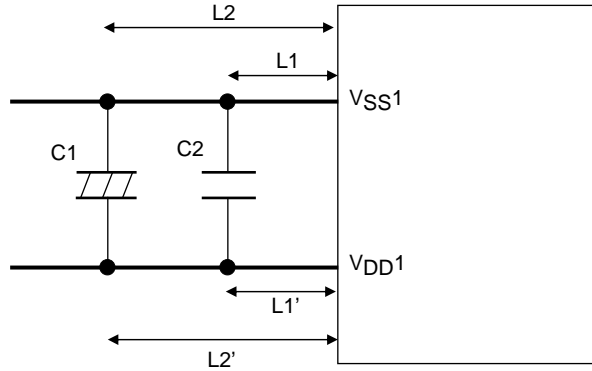
Example 2: The high level output at the ports is unstable when the HOLD mode.backup is in effect.



VDD1, VSS1 Terminal condition

It is necessary to place capacitors between VDD1 and VSS1 as describe below.

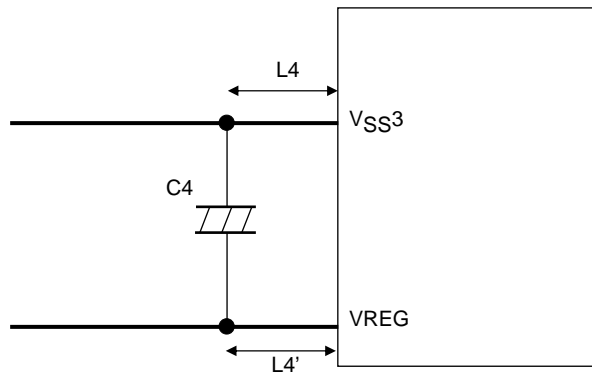
- Place capacitors as close to VDD1 and VSS1 as possible.
- Place capacitors so that the length of each terminal to the each leg of the capacitor be equal ($L1 = L1'$, $L2 = L2'$).
- Place high capacitance capacitor C1 and low capacitance capacitor C2 in parallel.
- Capacitance of C2 must be more than $0.1\mu\text{F}$.
- Please mount a suitable capacitor about C1.
- Use thicker pattern for VDD1 and VSS1.



VREG, VSS3 Terminal condition

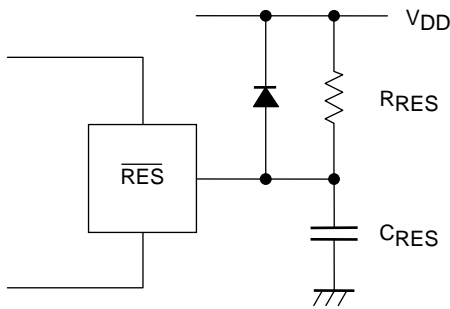
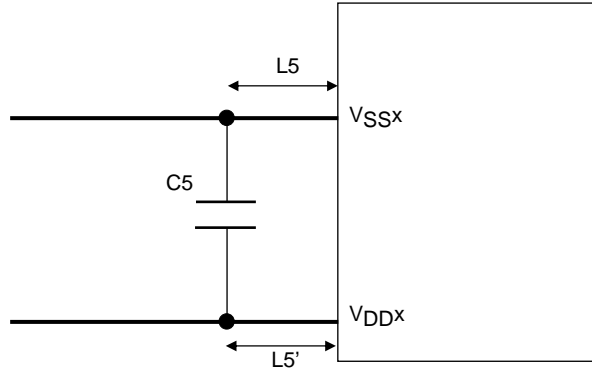
It is necessary to place capacitors between VREG and VSS3 as describe below.

- Place capacitors as close to VREG and VSS3 as possible.
- Place capacitors so that the length of each terminal to the each leg of the capacitor be equal ($L4 = L4'$).
- Capacitance of C4 must be more than $1\mu\text{F}$ to $10\mu\text{F}$.
- Use thicker pattern for VREG and VSS3.



VDDx, VSSx Terminal condition x=2 to 4

- It is necessary to place capacitors between VDDx and VSSx as describe below.
- Place capacitors as close to VDDx and VSSx as possible.
- Place capacitors so that the length of each terminal to the each leg of the capacitor be equal ($L5 = L5'$).
- Capacitance of C5 must be more than $0.1\mu\text{F}$.
- Use thicker pattern for VDDx and VSSx.



(Note) Select CRES and RRES value to assure that reset is generated after the VDD becomes higher than the minimum operating voltage.

Recommended value
 CRES: $0.47\mu\text{F}$
 RRES: $270\text{k}\Omega$

Figure 1 Reset Circuit

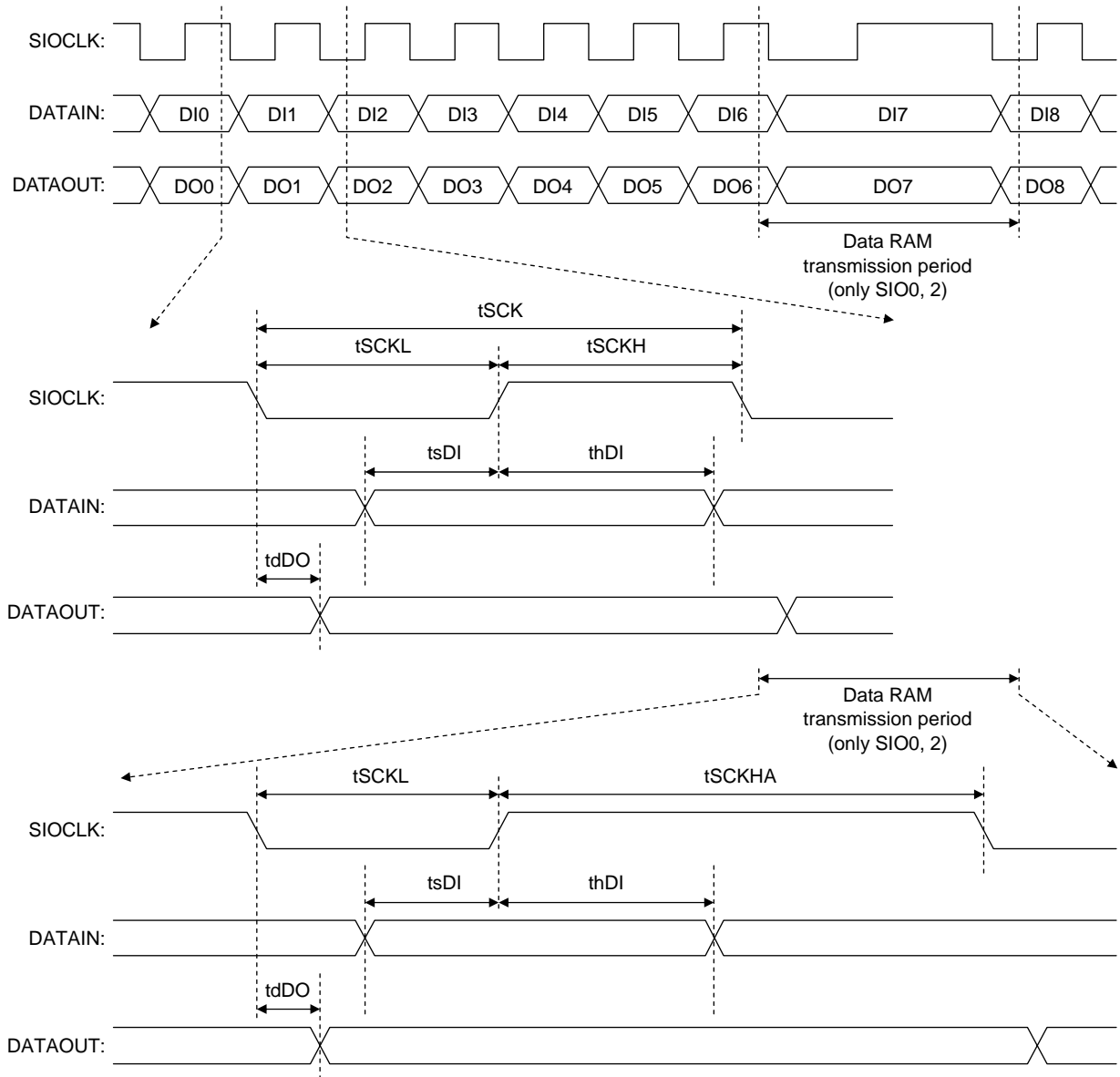


Figure 2 Serial Input/Output Test Condition

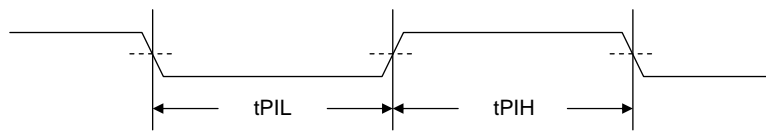


Figure 3 Pulse Input Timing Condition

- SANYO Semiconductor Co.,Ltd. assumes no responsibility for equipment failures that result from using products at values that exceed, even momentarily, rated values (such as maximum ratings, operating condition ranges, or other parameters) listed in products specifications of any and all SANYO Semiconductor Co.,Ltd. products described or contained herein.
- SANYO Semiconductor Co.,Ltd. strives to supply high-quality high-reliability products, however, any and all semiconductor products fail or malfunction with some probability. It is possible that these probabilistic failures or malfunction could give rise to accidents or events that could endanger human lives, trouble that could give rise to smoke or fire, or accidents that could cause damage to other property. When designing equipment, adopt safety measures so that these kinds of accidents or events cannot occur. Such measures include but are not limited to protective circuits and error prevention circuits for safe design, redundant design, and structural design.
- In the event that any or all SANYO Semiconductor Co.,Ltd. products described or contained herein are controlled under any of applicable local export control laws and regulations, such products may require the export license from the authorities concerned in accordance with the above law.
- No part of this publication may be reproduced or transmitted in any form or by any means, electronic or mechanical, including photocopying and recording, or any information storage or retrieval system, or otherwise, without the prior written consent of SANYO Semiconductor Co.,Ltd.
- Any and all information described or contained herein are subject to change without notice due to product/technology improvement, etc. When designing equipment, refer to the "Delivery Specification" for the SANYO Semiconductor Co.,Ltd. product that you intend to use.
- Information (including circuit diagrams and circuit parameters) herein is for example only; it is not guaranteed for volume production.
- Upon using the technical information or products described herein, neither warranty nor license shall be granted with regard to intellectual property rights or any other rights of SANYO Semiconductor Co.,Ltd. or any third party. SANYO Semiconductor Co.,Ltd. shall not be liable for any claim or suits with regard to a third party's intellectual property rights which has resulted from the use of the technical information and products mentioned above.

This catalog provides information as of February, 2011. Specifications and information herein are subject to change without notice.