

**PLEASE CHECK WWW.MOLEX.COM FOR LATEST PART INFORMATION**

**Part Number:** **0191540035**  
**Status:** **Active**  
**Description:** Step Down Butt Splice for 10-16 AWG Wire Yellow w/Blue Stripe

**Documents:**

[Drawing \(PDF\)](#) [RoHS Certificate of Compliance \(PDF\)](#)  
[Packaging Specification \(PDF\)](#)

**Agency Certification**

CSA LR18689  
 UL E32244

**General**

Product Family Splices  
 Series 19154  
 Comments Step down: 10/12 to 14/16 AWG . Yellow w/Blue Stripe  
 Crimp Quality Equipment Yes  
 Mil-Spec N/A  
 Product Name Butt - Step Down

**Physical**

Barrel Type Closed - Brazed  
 Color - Resin Yellow  
 Flammability 94V-0  
 Insulation PVC  
 Material - Resin PVC  
 Packaging Type Bag  
 Temperature Range - Operating -40°C to +105°C  
 Wire Insulation Diameter 6.35mm (.250") max  
 Wire Size AWG 10, 12, 14, 16

**Electrical**

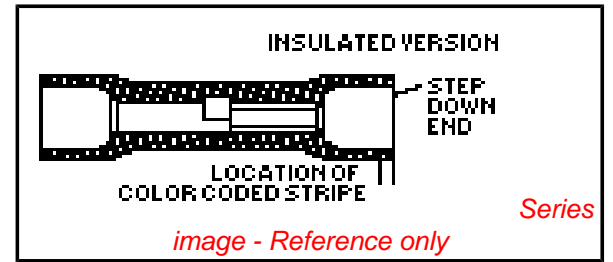
Voltage - Maximum 600V

**Material Info**

Old Part Number CB-646X

**Reference - Drawing Numbers**

Sales Drawing CD21001



**EU RoHS**

**ELV and RoHS Compliant**  
**REACH SVHC**  
 Not Reviewed  
**Halogen-Free Status**  
**Not Reviewed**

**China RoHS**



**Need more information on product environmental compliance?**

Email [productcompliance@molex.com](mailto:productcompliance@molex.com)  
 For a multiple part number RoHS Certificate of Compliance, [click here](#)

Please visit the [Contact Us](#) section for any non-product compliance questions.

**Search Parts in this Series**

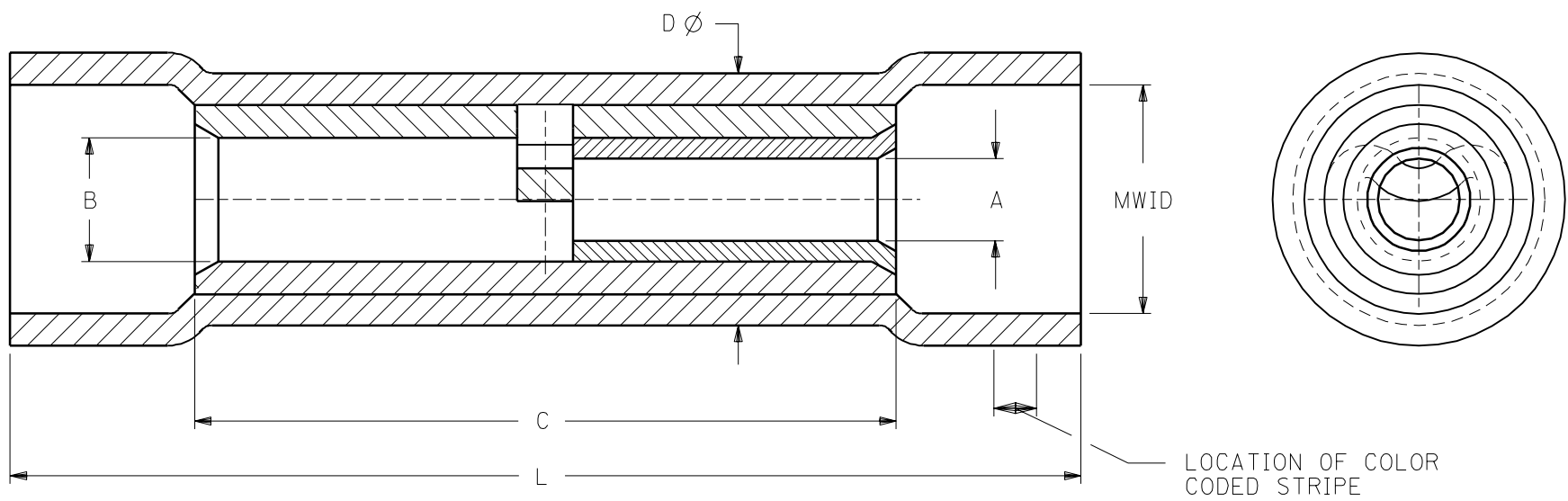
19154Series

**Application Tooling | FAQ**

*Tooling specifications and manuals are found by selecting the products below. Crimp Height Specifications are then contained in the Application Tooling Specification document.*

**Global**

Description	Product #
Hand Crimp Tool	<a href="#">0640010100</a>
Crimp Head for the AT-200™ Pneumatic Hand Tool	<a href="#">0640050100</a>



MATERIAL:  
 BUTT SPLICE: COPPER, ELECTRO-TIN PLATED  
 INSULATION: PVC

PART NO.	INSULATION COLOR	CODE STRIPE COLOR	"A"		"B"		"C" MAX.	"D" MAX.	MWID	"L" MAX.
			AWG.	MIN. DIA.	AWG.	MIN. DIA.				
BA-631X	BLUE	RED	22-18	.065	16-14	.091	.675	.230	.175	1.08
CB-646X	YELLOW	BLUE	16-14	.091	12-10	.138	.827	.295	.260	1.30
DC-654X	RED	YELLOW	12-10	.138	#8	.165	.854	.360	.380	1.50
ED-662X	BLUE	RED	#8	.175	#6	.222	1.045	.427	.435	1.84

MWID=MAXIMUM WIRE INSULATION DIAMETER

REVISE ONLY ON CAD SYSTEM  
 TITLE STEP DOWN BUTT CONNECTOR INSULKRIMP

CUSTOMER DRAWING

DRWG. BY RCM  
 CHK'D. BY  
 APP'D. BY  
 SCALE NO:NE

**molex ETC INC.**  
 PINELLAS PARK, FLA. 34665 U.S.A.  
 PART NO.  
 FILE NAME CD21001

ADDED MIN I.D. FOR DIM. A & B RCM 01/16/92  
 SHEET NO. A  
 DATE 10/28/91  
 DRWG. NO. CD-21001  
 THIS DRAWING CONTAINS INFORMATION THAT IS PROPRIETARY TO MOLEX-ETC INC. AND SHOULD NOT BE USED WITHOUT WRITTEN PERMISSION.  
 DIV.  
 SIZE A