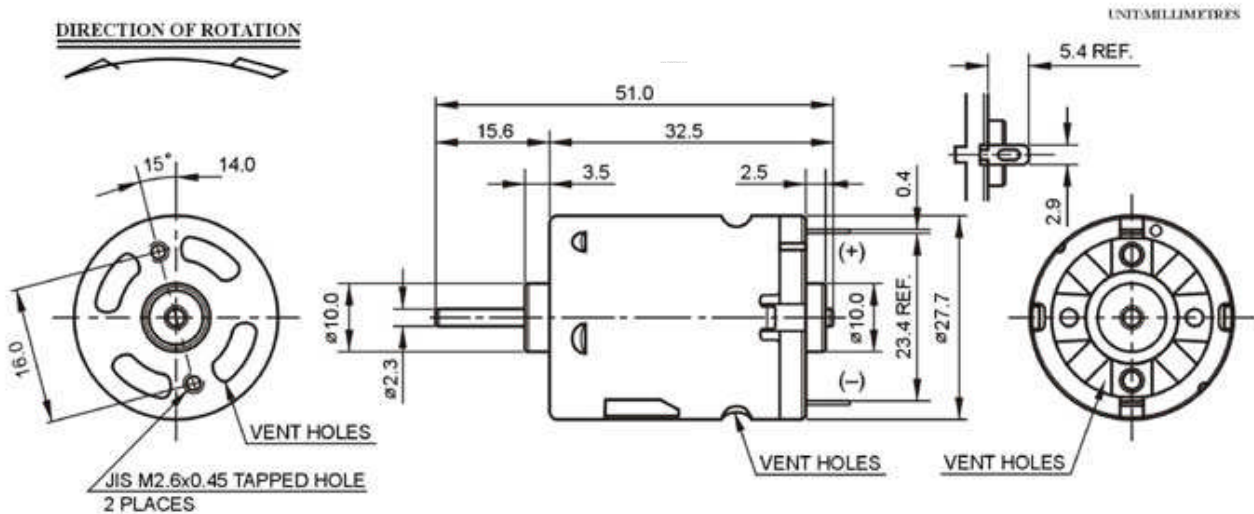


# TR360S SERIES

- Typical Applications : Precision Instruments / Household Appliances
- Automatic Vending Machine
  - Tooth Brush
  - Office Automation Equipments
  - Copy Machine



MODEL	VOLTAGE		NO LOAD		AT MAXIMUM EFFICIENCY			STALL	
	OPERATION RANGE	NORMAL	SPEED rpm	CURRENT A	SPEED rpm	CURRENT A	TORQUE mN-m g-cm	TORQUE mN-m g-cm	
TR360S-10500	20-28	24V CONSTANT	7180	0.048	5790	0.20	4.51 46	23.5	242
TR360S-12300	9.0-24	24V CONSTANT	11500	0.10	9700	0.37	4.42 45	20.6	210
TR360S-14250	6.0-20	12V CONSTANT	7300	0.09	5850	0.36	3.91 41	19.8	201
TR360S-16170	6.0-18	12V CONSTANT	11000	0.14	8600	0.78	5.92 60	27.1	281
TR360S-18190	4.5-12	6.0V CONSTANT	4880	0.10	3900	0.40	3.27 34	16.5	171
TR360S-23100	3.6-12	12V CONSTANT	18210	0.28	15250	1.44	6.92 71	43.8	442
TR360S-25100	4.5-9.0	6.0V CONSTANT	9700	0.25	7900	1.14	4.61 47	26.1	270
TR360S-4045	1.5-6.0	2.4V CONSTANT	8080	0.53	6320	1.91	3.53 36	15.7	168



**WEIGHT: 49g (APPROX)**



**TECO ELECTRIC CO., LTD.**

Workshop K, 15/E, Shield Industrial Centre, 84-92 Chai Wan Kok Street, Tsuen Wan, N.T., Hong Kong.

Tel:(852)2405 2428 /2405 4428

Fax:(852)2405 4928

DC motor TR series