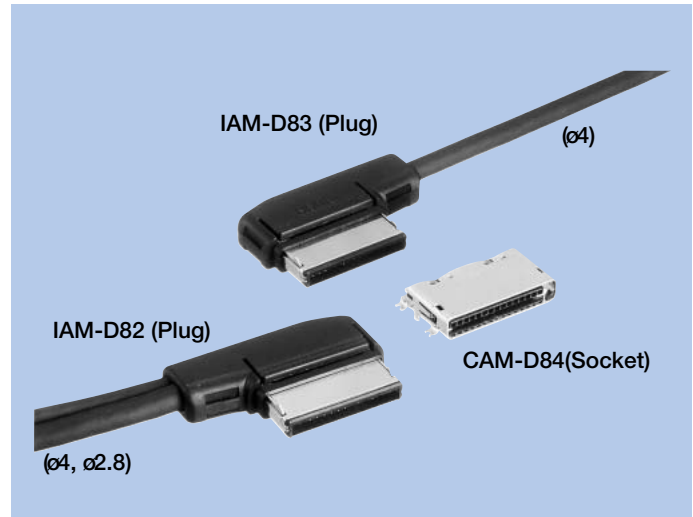


Rectangular Connectors

IAM-D82·D83, CAM-D84

FEATURES

1. These are 15 pins external interface connectors.
IAM-D82, D83 is a cable assembly plug, and CAM-D84 is an SMT socket.
2. This long-life connector can withstand 5,000 times coupling/decoupling cycle life and has a one-touch locking mechanism. It has a thin style to allow it to be used in low-profile sets.



HOW TO ORDER

1. IAM-D82 (Plug)

D82 - - **9408**

1 2 3 4

- 1 Series No. (D82)
- 2 No. of contacts (013 : 13pins)
(015 : 15pins)
- 3 Product Specifications
- 4 Item
A : 13pins
B : 15pins

2. IAM-D83 (Plug)

D83 - - **4727**

1 2 3 4

- 1 Series No. (D83)
- 2 No. of contacts (015 : 15pins)
- 3 Product Specifications
- 4 Item
A : 13pins
B : 15pins

3. CAM-D84 (Socket)

D84 - - **05 0 - B G G A A**

1 2 3 4 5 6 7 8 9

- 1 Series No. (D84)
- 2 No. of contacts (013 : 13pins)
(015 : 15pins)
- 3 Housing material (05 : Nylon resin)
- 4 UL Grade (0 : UL 94V-0)
- 5 Contact pin plating types (B: Gold)
- 6 Contact pin plating thickness (G : 0.3μm)
- 7 Contact pin lead profile (G : Angle SMT)
- 8 Attachment on connector fitting side (A : None)
- 9 Attachment on connector PCB side (A : None)

SPECIFICATIONS

ELECTRICAL CHARACTERISTICS

| | |
|-----------------------|-------------------------|
| Rated Voltage | 24V DC |
| Rated Current | 0.5A |
| Withstanding Voltage | 500V AC (rms) 1minute |
| Insulation Resistance | 100MΩ min. (at 500V DC) |
| Contact Resistance | 100mΩ max. |

MECHANICAL CHARACTERISTICS

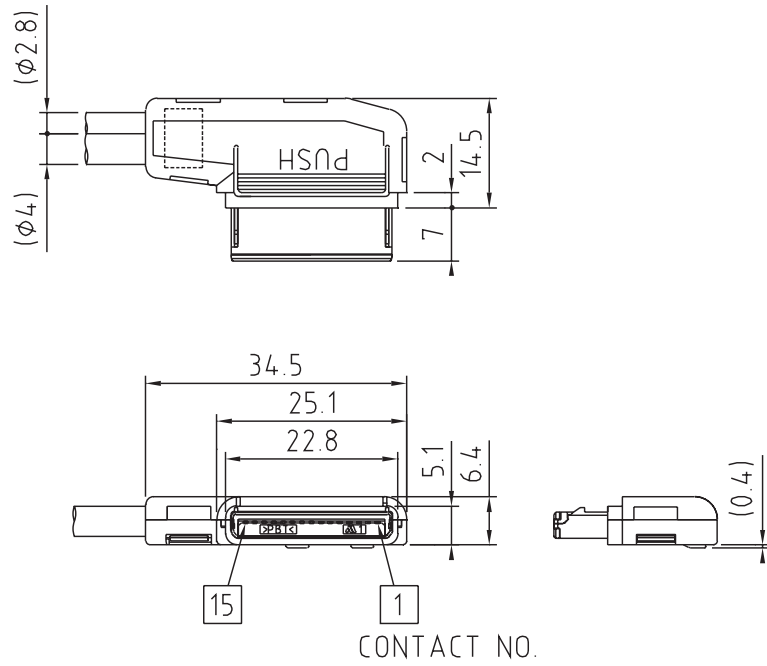
| | |
|-------------------------|----------------------------|
| Life (Matching Cycle) | 5,000 times |
| Total Insertion Force | 29.4N (3kgf) max. |
| Total Withdrawal Force | 0.98~29.4N (0.1~3kgf) max. |
| Using Temperature Range | -30~+85°C |

MATERIAL & FINISH

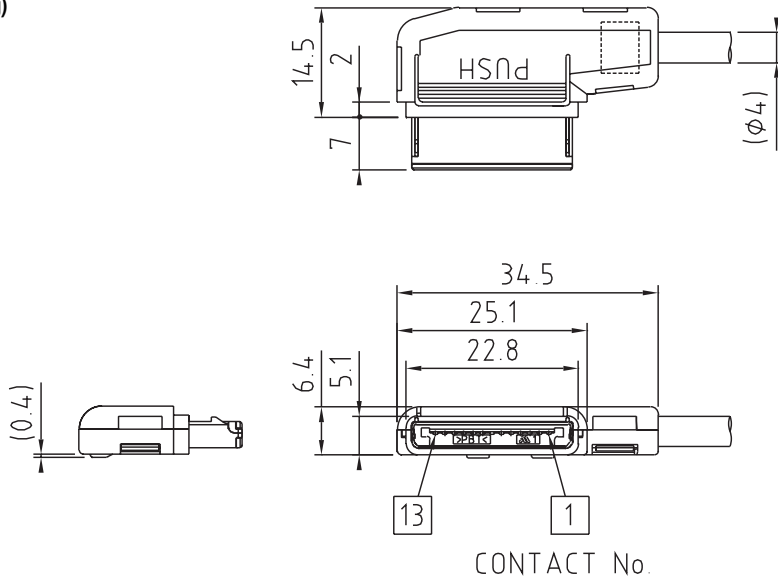
| Component Parts | | Material | Finish |
|-----------------|---------------|--------------|--------------------|
| IAM-D82-D83 | Housing | PBT resin | — |
| | Contact | Copper Alloy | Gold plating |
| | Shielded Case | Brass | Nickel plating |
| | Case | PBT resin | — |
| | Board Lock | Stainless | — |
| | Cord Clamp | Steel | — |
| CAM-D84 | Housing | Nylon resin | — |
| | Contact | Copper Alloy | Gold plating |
| | Shielded Case | Stainless | Copper-tin plating |

DIMENSIONS

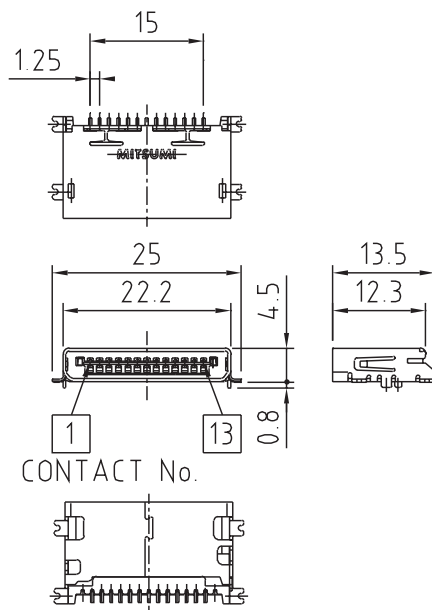
IAM-D82 (Plug)



IAM-D83 (Plug)



CAM-D84 (13 pins : Socket)



CAM-D84 (15 pins : Socket)

