

# DATA SHEET

## **PCA84C646; PCA84C846** Microcontrollers for TV tuning control and OSD applications

Preliminary specification  
Supersedes data of June 1994  
File under Integrated Circuits, IC14

1995 Jun 15

## Microcontrollers for TV tuning control and OSD applications

## PCA84C646; PCA84C846

|                 |  |      |  |
|-----------------|--|------|--|
| <b>CONTENTS</b> |  |      |  |
| 1               | FEATURES                                 | 12   | OSD CONTROL REGISTERS                                    |
| 1.1             | PCF84CXXXXA kernel                       | 12.1 | Derivative Register 22 (CON1)                            |
| 1.2             | VST and OSD derivative                   | 12.2 | Derivative Register 23 (CON2)                            |
| 2               | GENERAL DESCRIPTION                      | 12.3 | Derivative Register 33 (CON3)                            |
| 3               | ORDERING INFORMATION                     | 12.4 | Derivative Register 34 (CON4)                            |
| 4               | BLOCK DIAGRAM                            | 12.5 | Derivative Register 35 (VPOS)                            |
| 5               | PINNING INFORMATION                      | 12.6 | Derivative Register 36 (HPOS)                            |
| 5.1             | Pinning                                  | 12.7 | Derivative Register 37 (BCC)                             |
| 5.2             | Pin description                          | 13   | COMBINATION OF TWO OR MORE FONT CELLS TO FORM A NEW FONT |
| 6               | RESET                                    | 14   | OSD CLOCK IN DIFFERENT TV STANDARDS                      |
| 6.1             | Reset trip level                         | 14.1 | Maximum number of characters per row                     |
| 6.2             | Reset status                             | 14.2 | Maximum number of rows per frame                         |
| 7               | ANALOG CONTROL                           | 15   | T3: 8-BIT COUNTER  |
| 7.1             | 6 and 7-bit PWM outputs (PWM00 to PWM07) | 16   | I <sup>2</sup> C-BUS MASTER SLAVE TRANSCEIVER            |
| 7.2             | VST control 14-bit PWM DAC               | 17   | DERIVATIVE REGISTERS                                     |
| 8               | AFC INPUT                                | 18   | INPUT/OUTPUT   |
| 9               | OSD (ON SCREEN DISPLAY) FUNCTION         | 19   | OPTION LISTS   |
| 9.1             | Features                                 | 20   | LIMITING VALUES  |
| 9.2             | Horizontal display position control      | 21   | DC CHARACTERISTICS                                       |
| 9.3             | Vertical display position control        | 22   | AC CHARACTERISTICS                                       |
| 9.4             | Clock generator                          | 23   | AFC CHARACTERISTICS                                      |
| 10              | DISPLAY RAM ORGANIZATION                 | 24   | PACKAGE OUTLINE  |
| 10.1            | Description of display RAM codes         | 25   | SOLDERING  |
| 10.2            | Loading character data into display RAM  | 26   | DEFINITIONS  |
| 10.3            | Writing character data to display RAM    | 27   | LIFE SUPPORT APPLICATIONS                                |
| 10.4            | Default value of the display character   | 28   | PURCHASE OF PHILIPS I <sup>2</sup> C COMPONENTS          |
| 11              | CHARACTER ROM                            |      |  |
| 11.1            | Character ROM organization               |      |  |



## Microcontrollers for TV tuning control and OSD applications

## PCA84C646; PCA84C846

### 1 FEATURES

#### 1.1 PCF84CXXXA kernel

- 8-bit CPU, ROM, RAM, I/O and derivative logic in one package
- Over 80 instructions
- All instructions of 1 or 2 cycles
- Quasi-bidirectional standard I/O port lines (P0, P1)
- Configuration of I/O lines individually selected by mask
- External interrupt  $\overline{\text{INT}}/\text{T0}$
- 2 direct testable inputs T0, T1
- 8-bit timer/event counter
- Single level vectored interrupt: external ( $\overline{\text{INT}}$ ), counter/timer, I<sup>2</sup>C-bus and VSYNC
- Configuration of optimal on-chip oscillator transconductance by mask
- On-chip oscillator clock frequency: 1 to 10 MHz
- Power-on-reset and low-voltage detector
- Low standby voltage and current in Idle and Stop modes
- Single power supply: 4.5 to 5.5 V
- Operating temperature: -20 to +70 °C.

#### 1.2 VST and OSD derivative

- 6 kbytes (PCA84C646) or 8 kbytes (PCA84C846) system ROM, 192 bytes system RAM
- A multi-master I<sup>2</sup>C-bus interface
- One 14-bit PWM output for VST
- Three AFC inputs with 4-bit DAC and comparator
- Four 6-bit PWM and four 7-bit PWM outputs (DACs for analog controls)
- Eight port lines with 10 mA LED drive (at  $\leq 1.2$  V) capability

- Programmable active level polarities of  $\overline{\text{VSYNC}}/\overline{\text{HSYNC}}$
- Display RAM: 64 × 10-bit
- Display character fonts: 64 (62 customized + 2 special reserved codes)
- Display starting position: 64 different positions by software control, both vertical and horizontal
- Character size: 4 different character sizes, line-by-line basis, 1 dot = 1H/1V, 2H/2V, 3H/3V, 4H/4V. (H: OSD clock period, V: number of horizontal scan line height)
- Character matrix: 12 × 18 with no spacing between characters
- Foreground colours: 8, character-by-character basis
- Background colours: 8, word-by-word basis. Available when background is either in North-west shadowing, Box shadowing and Frame shadowing mode
- Background/shadowing modes: 4, No background, North-west shadowing, Box shadowing, Frame shadowing (raster blanking), frame basis
- On-chip oscillator for On Screen Display (OSD) function
- Character blinking rate: 1 : 1, 1 : 3, 3 : 1 (frequency:  $\frac{1}{16}$ ,  $\frac{1}{32}$ ,  $\frac{1}{64}$  or  $\frac{1}{128}$  of  $f_{\text{VSYNC}}$ , programmable), character basis
- Display format: flexible display format by using Carriage Return (CR) code
- Spacing between lines: 4 different choices, from 0, 4, 8 or 12 horizontal scan lines
- Auto display character RAM address post increment when writing data
- On-chip Power-on-reset
- $\overline{\text{VSYNC}}$  leading edge can generate interrupt (programmable enable/disable by software)
- 8-bit counter triggered by external pulse input.

## Microcontrollers for TV tuning control and OSD applications

## PCA84C646; PCA84C846

### 2 GENERAL DESCRIPTION

The PCA84C646 and PCA84C846 are 8-bit microcontrollers with enhanced OSD and VST functions. The PCA84C646 and PCA84C846 are members of the PCA84C640 CMOS microcontroller family. They include the PCF84CXXXA processor core, 6 or 8 kbytes of ROM and 192 bytes of RAM.

I/O requirements are adequately catered for with 13 general purpose bidirectional I/O lines plus 16 function combined I/O lines. One 14-bit PWM analog control, 3 AFC inputs (4-bit DAC + comparator) for VST and four 6-bit and 7-bit PWM analog control outputs are provided.

In addition to all these features a master-slave I<sup>2</sup>C-bus interface, 2 directly testable lines and an enhanced OSD facility for flexible screen format (maximum of 64 character types) are also provided.

The on-chip Phase-Locked Loop (PLL) oscillator for OSD operation considerably reduces the radiation generated by the RC or LC oscillator. An 8-bit timer is integrated on-chip with a 5-bit prescaler. Another 8-bit counter with Schmitt-trigger input is used for clock/timer function application.

Figure 1 shows the block diagram of the PCA84C646 and PCA84C846.

### 3 ORDERING INFORMATION

| TYPE NUMBER | PACKAGE |   |          |
|-------------|---------|---|----------|
|             | NAME    | DESCRIPTION   | VERSION  |
| PCA84C646P  | SDIP42  | plastic shrink dual in-line package; 42 leads (600 mil) | SOT270-1 |
| PCA84C846P  |         |   |          |

Microcontrollers for TV tuning control and OSD applications

PCA84C646; PCA84C846

4 BLOCK DIAGRAM

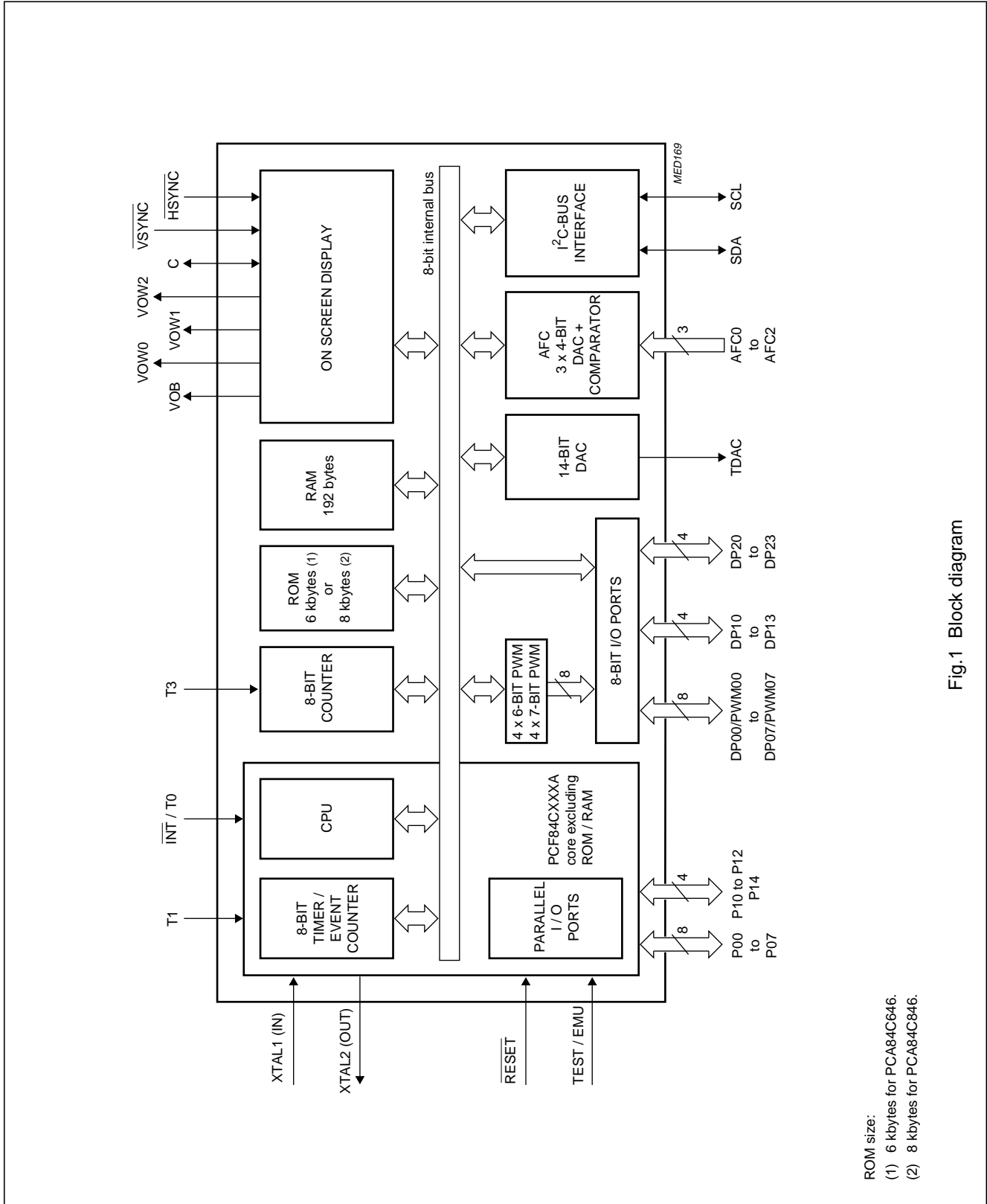


Fig.1 Block diagram

Microcontrollers for TV tuning control and OSD applications

PCA84C646; PCA84C846

5 PINNING INFORMATION

5.1 Pinning

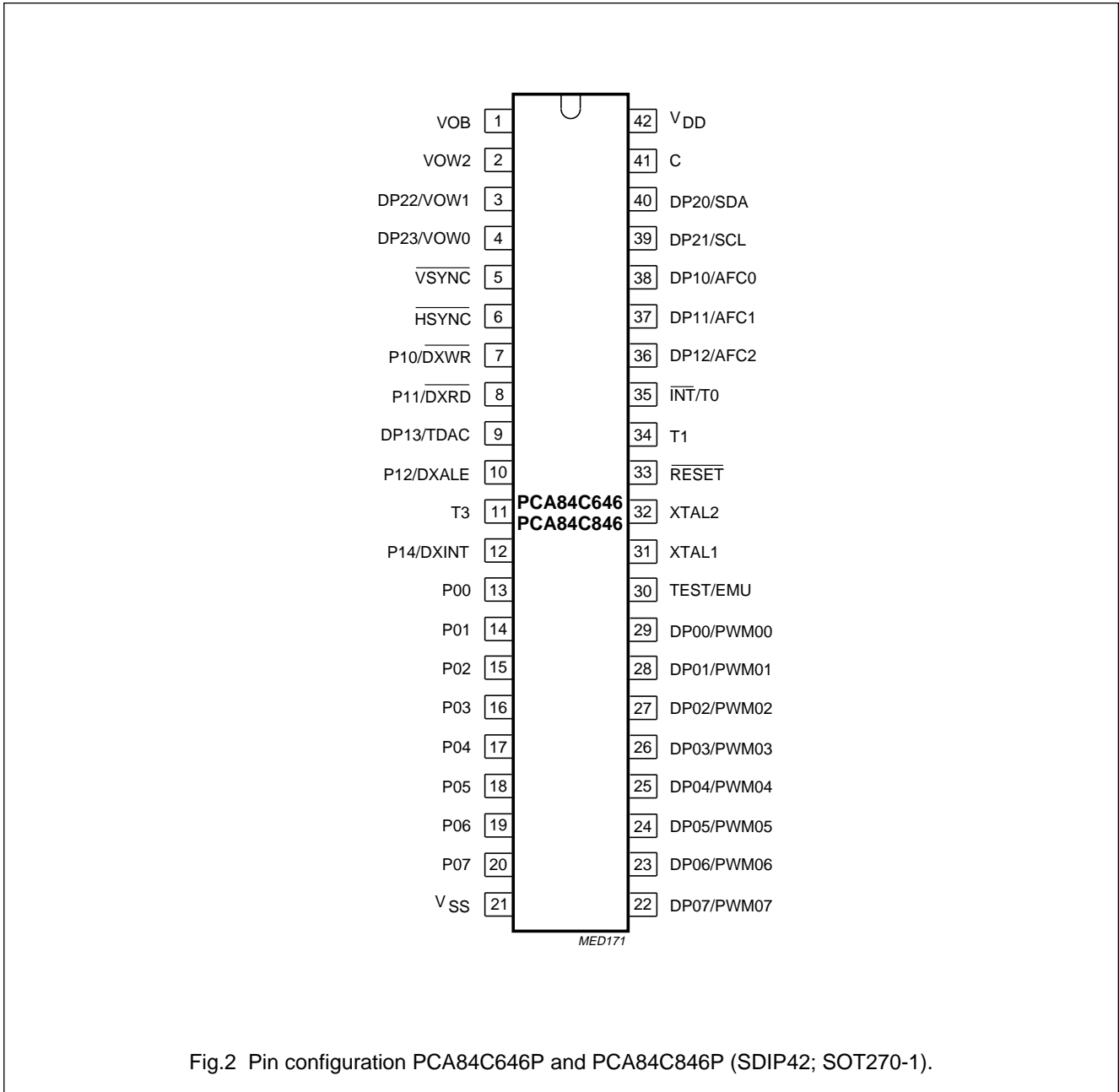


Fig.2 Pin configuration PCA84C646P and PCA84C846P (SDIP42; SOT270-1).

## Microcontrollers for TV tuning control and OSD applications

PCA84C646; PCA84C846

### 5.2 Pin description

**Table 1** Pin description for PCA84C646P and PCA84C846P; SDIP42 (see Fig.2)

| SYMBOL                            | PIN                               | DESCRIPTION   |
|-----------------------------------|-----------------------------------|---|
| VOB                               | 1                                 | Video fast blanking output signal.  |
| VOW2                              | 2                                 | Video character outputs or derivative port lines.                           |
| DP22/VOW1                         | 3                                 |   |
| DP23/VOW0                         | 4                                 |   |
| $\overline{\text{VSYNC}}$         | 5                                 | Vertical synchronization signal input, active LOW.                          |
| $\overline{\text{HSYNC}}$         | 6                                 | Horizontal synchronization signal input, active LOW.                        |
| P10/ $\overline{\text{DXWR}}$     | 7                                 | Port line 10 or emulation $\overline{\text{DXWR}}$ signal input.            |
| P11/ $\overline{\text{DXRD}}$     | 8                                 | Port line 11 or emulation $\overline{\text{DXRD}}$ signal input.            |
| DP13/TDAC                         | 9                                 | Derivative I/O port or 14-bit D/A PWM.                                      |
| P12/DXALE                         | 10                                | Port line 12 or emulation DXALE signal input.                               |
| T3                                | 11                                | Secondary 8-bit counter input pin (Schmitt-trigger).                        |
| P14/DXINT                         | 12                                | Port line 14 or emulation DXINT signal input.                               |
| P00 to P07                        | 13 to 20                          | General I/O port lines (10 mA).   |
| V <sub>SS</sub>                   | 21                                | Ground.   |
| DP00/PWM00 to DP07/PWM07          | 29, 28, 27, 26,<br>25, 24, 23, 22 | Derivative I/O port;<br>6-bit PWM (PWM04 to 07) or 7-bit PWM (PWM00 to 03). |
| TEST/EMU                          | 30                                | Control input of testing and emulation mode, normally LOW.                  |
| XTAL1                             | 31                                | Oscillator input terminal for system clock.                                 |
| XTAL2                             | 32                                | Oscillator output terminal for system clock.                                |
| $\overline{\text{RESET}}$         | 33                                | Initialize input, active LOW.   |
| T1                                | 34                                | Direct testable pin and event counter input.                                |
| $\overline{\text{INT}}/\text{T0}$ | 35                                | External interrupt/direct testable pin.                                     |
| DP12/AFC2                         | 36                                | Derivative I/O port or comparator input with 4-bit DAC.                     |
| DP11/AFC1                         | 37                                |   |
| DP10/AFC0                         | 38                                |   |
| DP21/SCL                          | 39                                | Derivative port line or I <sup>2</sup> C-bus clock line.                    |
| DP20/SDA                          | 40                                | Derivative port line or I <sup>2</sup> C-bus data line.                     |
| C                                 | 41                                | External capacitor input for on chip PLL OSD oscillator.                    |
| V <sub>DD</sub>                   | 42                                | Power supply.   |

# Microcontrollers for TV tuning control and OSD applications

## PCA84C646; PCA84C846

### 6 RESET

The  $\overline{\text{RESET}}$  pin is used as an active LOW input to initialize the microcontroller to a defined state.

A Power-on-reset can be generated by using the RC-circuit as shown in Fig.3.

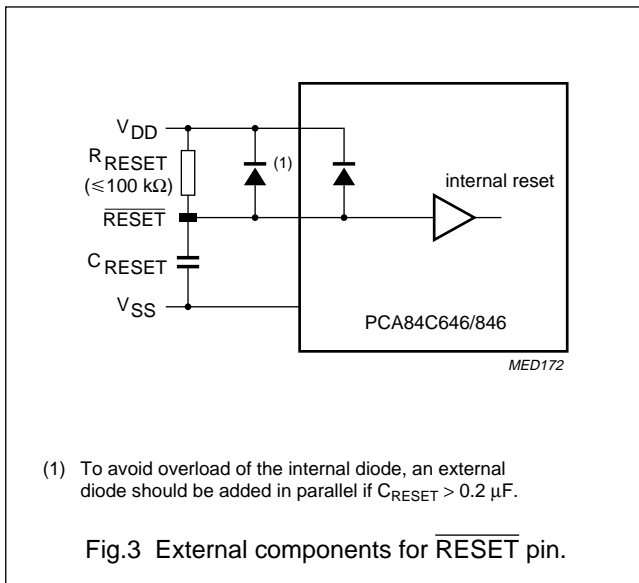
An active reset can be generated by driving the  $\overline{\text{RESET}}$  pin from an external logic device. Such an active reset pulse should not fall off before  $V_{DD}$  has reached its  $f_{\text{xtal}}$ -dependent minimum operating voltage.

#### 6.1 Reset trip level

The  $\overline{\text{RESET}}$  trip-voltage level is masked to 1.3 V in the PCA84C646 and PCA84C846.

#### 6.2 Reset status

- Derivative Registers status; for details see Table 40
- Program Counter: 00H
- Memory Bank: 00H
- Register Bank: 00H
- Stack Pointer: 00H
- All interrupts disabled
- Timer/event counter 1 stopped and cleared
- Timer prescaler modulo-32 ( $\text{PS} = 0$ )
- Timer flag cleared
- Serial I/O interface disabled ( $\text{ESO} = 0$ ) and in slave receiver mode
- Idle and Stop mode cleared.



### 7 ANALOG CONTROL

#### 7.1 6 and 7-bit PWM outputs (PWM00 to PWM07)

The PCA84C646/PCA84C846 has eight PWM outputs for analog controls of e.g. volume, balance, brightness and saturation. These PWM outputs generate pulse patterns with a repetition rate of  $\frac{1}{64} \times f_{\text{PWM}}$  or  $\frac{1}{128} \times f_{\text{PWM}}$ . The analog value is determined by the ratio of the HIGH-time and the repetition time. A DC voltage proportional to the PWM control setting is obtained by means of an external integration network (low-pass filter).

The eight PWM outputs are specified as follows:

- PWM00 to PWM03 outputs with 7-bit resolution
- PWM04 to PWM07 outputs with 6-bit resolution.

Figure 4 shows the block diagram of the 6-bit or 7-bit PWM DAC. The polarity of the PWM0n output is selected as shown in Table 2 by the polarity control bit P6LVL/P7LVL (Derivative Register 23; see Table 25).

The PWM0n output shares the pin with a DP0n I/O line under control of a PWMnE enable bit; for selection see Table 3.

Figure 5 shows the 6 and 7-bit PWM0n output patterns (non-inverted; P6LVL/P7LVL = 0).

The HIGH-time of a PWM0n output is

$$t_{\text{HIGH}} = [\text{PWMnDL}] \times t_0$$

where:

[PWMnDL] = the contents of PWMn data latch (n = 0 to 7; Derivative Register 10 to 17; see Table 40)

$$t_0 = 1/f_{\text{PWM}}; f_{\text{PWM}} = \frac{1}{3} \times f_{\text{xtal}}$$

**Table 2** Polarity selection for the PWM0n output

| P6LVL/P7LVL | POLARITY     |
|-------------|--------------|
| 1           | inverted     |
| 0           | not inverted |

**Table 3** Selection of pin function: DP0n/PWM0n (note 1)

| PWMnE | FUNCTION     |
|-------|--------------|
| 1     | PWM0n output |
| 0     | DP0n I/O     |

**Note**

1. n = 0 to 7.



Microcontrollers for TV tuning control and OSD applications

PCA84C646; PCA84C846

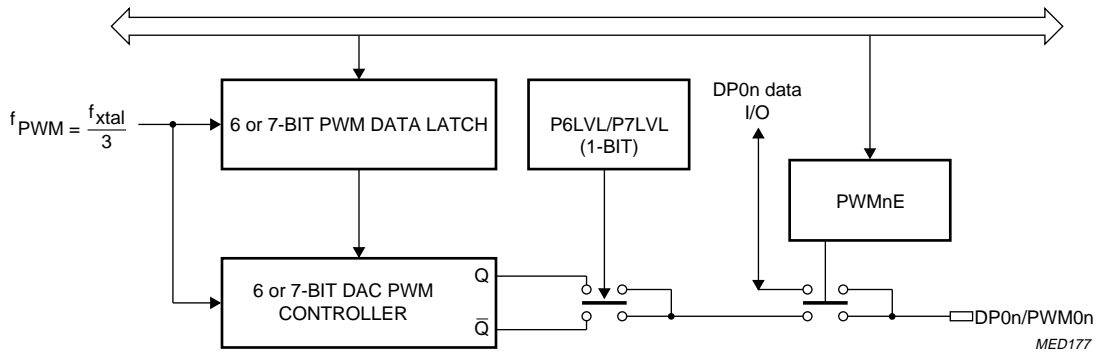


Fig.4 Block diagram of 6-bit or 7-bit PWM DAC.

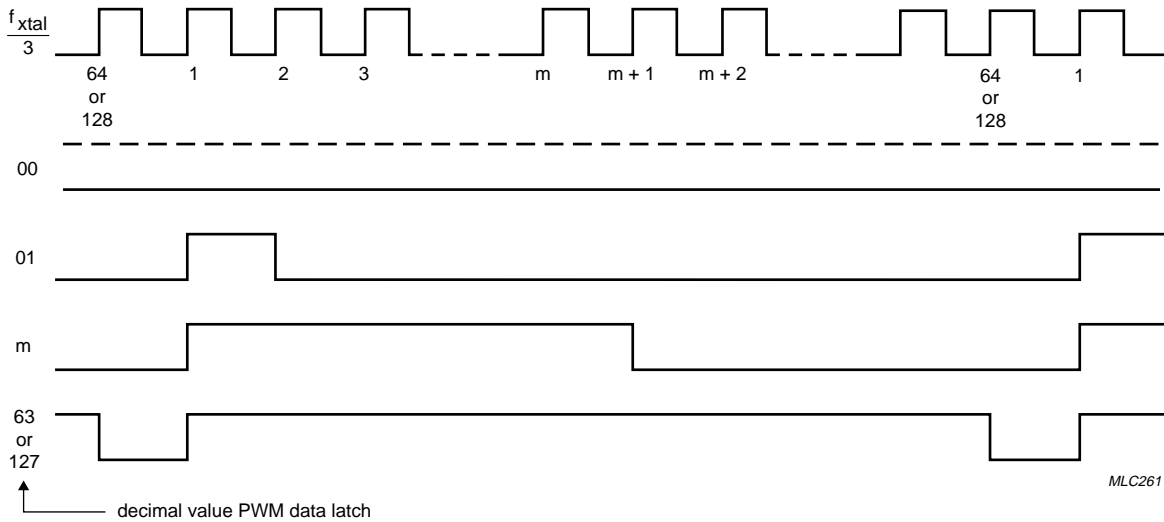


Fig.5 Example PWM0n output patterns ( $P6LVL/P7LVL = 0$ ).

## Microcontrollers for TV tuning control and OSD applications

## PCA84C646; PCA84C846

### 7.2 VST control 14-bit PWM DAC

The PCA84C646 and PCA84C846 have a PWM DAC output (TDAC) with a resolution of 16384 levels for Voltage Synthesized Tuning (VST).

Figure 6 shows the block diagram of the 14-bit PWM DAC which consists of:

- Two 7-bit DAC interface latches (see Table 40):
  - VSTH: Derivative Register 18; address 18H.
  - VSTL: Derivative Register 19; address 19H.
- One 14-bit DAC data latch: VSTREG, which contents defines the HIGH-time.
- 14-bit counter.
- Pulse control.

The contents of the interface latches VSTH and VSTL are latched into VSTREG. The upper seven bits of VSTREG are used for coarse adjustment, while the lower seven bits are used for fine adjustment.

The contents of the interface latches VSTH and VSTL are latched into VSTREG at the beginning of the first  $t_{sub}$  after VSTL is written (see Fig.7). After VSTH and VSTL are latched into VSTREG, it takes one  $t_{sub}$  to generate the appropriate pulse pattern.

Therefore, to ensure correct digital-to-analog conversion, two  $t_{sub}$  periods should be allowed before beginning the next sequence (changing the contents of VSTH and VSTL).

To ensure that the correct data is latched into VSTREG, VSTH must contain the correct value before VSTL is written; see the note in Fig.7.

The repetition times of the pulse controllers are:

- Coarse, upper seven bits (VSTH):

$$t_{sub} = 128 \times 3 / f_{xtal}$$

- Fine, lower seven bits (VSTL):

$$t_r = 128 \times t_{sub} = 49152 / f_{xtal}$$

Output TDAC shares the same pin as DP13; bit TDACE (Derivative Register 22; see Table 22) selects the function of pin DP13/TDAC.

**Table 4** Selection of pin function DP13/TDAC

| TDACE | FUNCTION                |
|-------|-------------------------|
| 1     | TDAC; 14-bit PWM output |
| 0     | DP13                    |

#### 7.2.1 COARSE ADJUSTMENT

An active HIGH pulse is generated in every subperiod; the pulse width being determined by the contents of VSTH. The coarse output (OUT1) is LOW at the start of each subperiod and will remain LOW during

$$t_s \leq \frac{(VSTH + 1) \times 3}{f_{xtal}}$$

Where  $t_s$  is the time within  $t_{subn}$ .

The output will then go HIGH and remain HIGH until the start of the next subperiod. The coarse pulse width may be

$$\text{calculated as: Pulse duration} = (127 - VSTH) \times \frac{3}{f_{xtal}}.$$

#### 7.2.2 FINE ADJUSTMENT

Fine adjustment is achieved by generating an additional pulse in specific subperiods. The pulse is added at the start of the selected subperiod and has a pulse width of  $3/f_{xtal}$ . The contents of VSTL determine in which subperiods a fine pulse will be added. It is the logic 0 state of the value held in VSTL that actually selects the subperiods. When more than one bit is a logic 0 then the subperiods selected will be a combination of those subperiods specified in Table 5. For example, if VSTL = 111 1010 then this is a combination of:

- VSTL = 111 1110: subperiod 64 and
- VSTL = 111 1011: subperiods 16, 48, 80 and 112.

Pulses will be added in subperiods 16, 48, 64, 80 and 112. This example is illustrated in Fig.9.

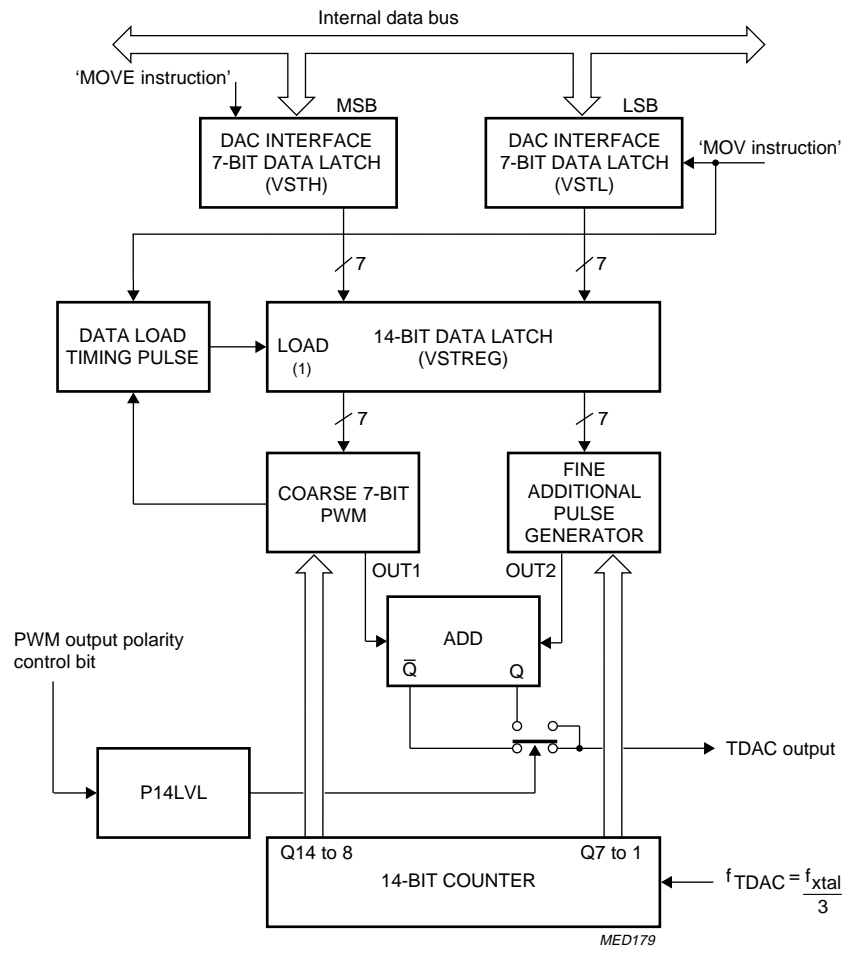
When VSTL holds 111 1111 fine adjustment is inhibited and the TDAC output is determined only by the contents of VSTH.

**Table 5** Additional pulse distribution

| VSTL     | ADDITIONAL PULSE IN SUBPERIOD               |
|----------|---|
| 111 1110 | 64  |
| 111 1101 | 32 and 96                                   |
| 111 1011 | 16, 48, 80 and 112                          |
| 111 0111 | 8, 24, 40, 56, 72, 88, 104 and 120          |
| 110 1111 | 4, 12, 20, 28, 36, 44, 52...116 and 124     |
| 101 1111 | 2, 6, 10, 14, 18, 22, 26, 30...122 and 126  |
| 011 1111 | 1, 3, 5, 7, 9, 11, 13, 15, 17...125 and 127 |

Microcontrollers for TV tuning control and OSD applications

PCA84C646; PCA84C846

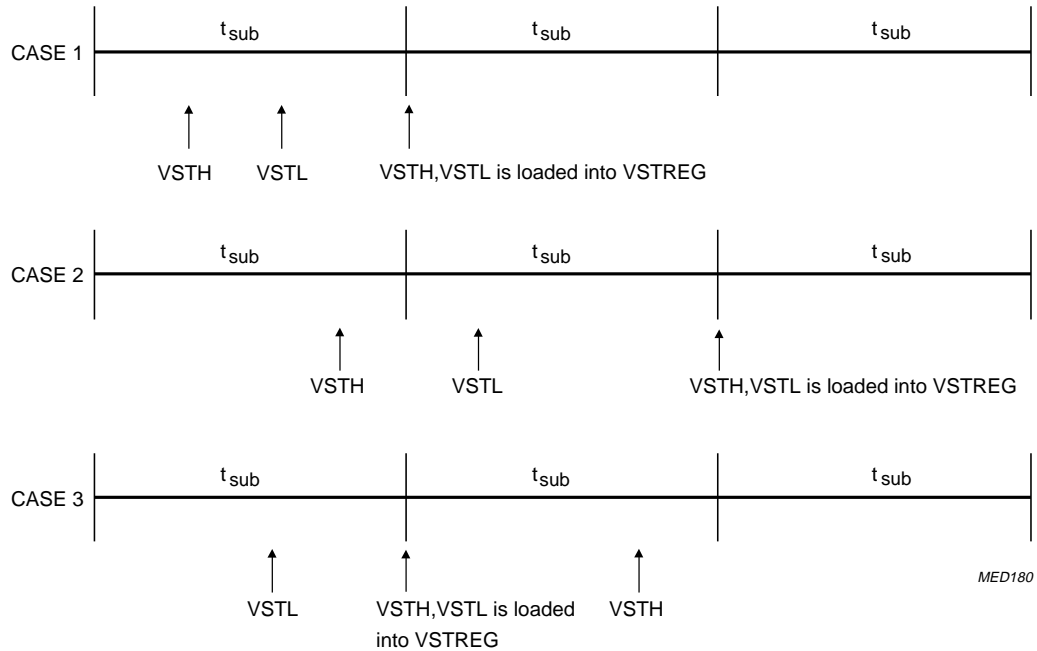


(1) See Fig.7 for timing.

Fig.6 Block diagram of the 14-bit PWM DAC.

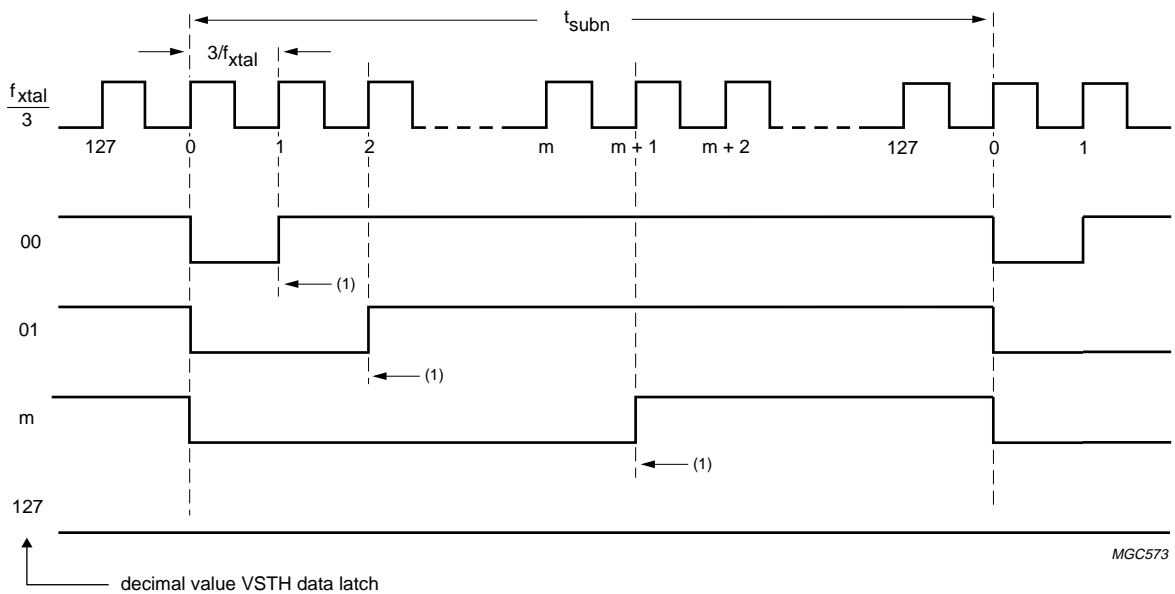
Microcontrollers for TV tuning control and OSD applications

PCA84C646; PCA84C846



In CASE 1 and CASE 2, a new value for VSTH, VSTL is latched into VSTREG.  
 In CASE 3, VSTL, together with an old value of VSTH are latched into VSTREG.

Fig.7 Latching VSTH, VSTL into VSTREG.



$$(1) t_s = \frac{(VSTH + 1) \times 3}{f_{xtal}}$$

Fig.8 TDAC output (not inverted) with coarse adjustment only; VSTL = 1111111; P14LVL = 0.

Microcontrollers for TV tuning control and OSD applications

PCA84C646; PCA84C846

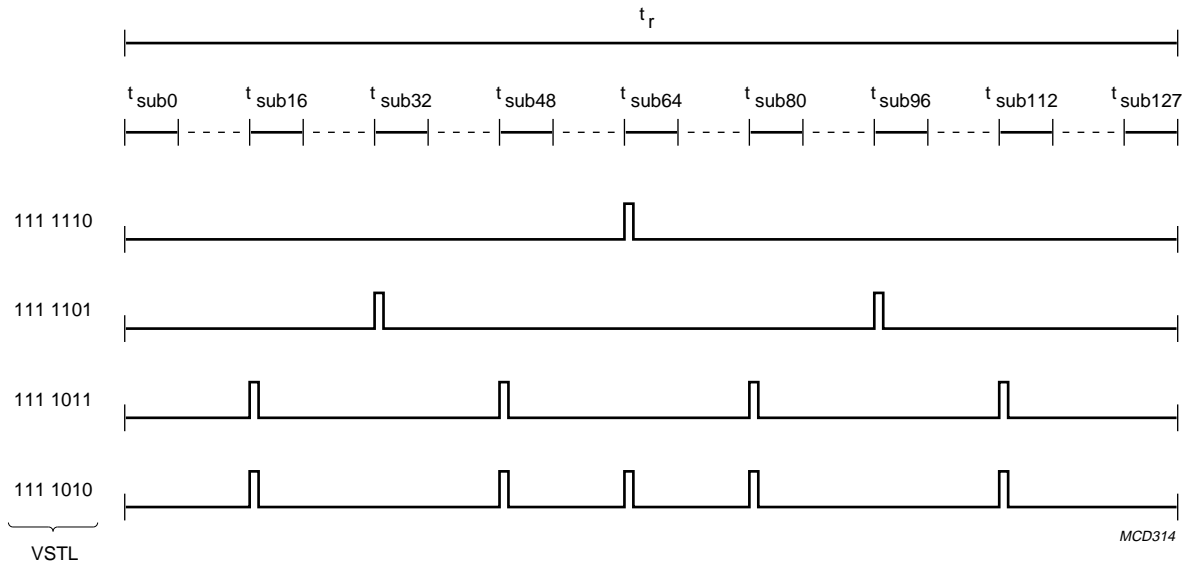
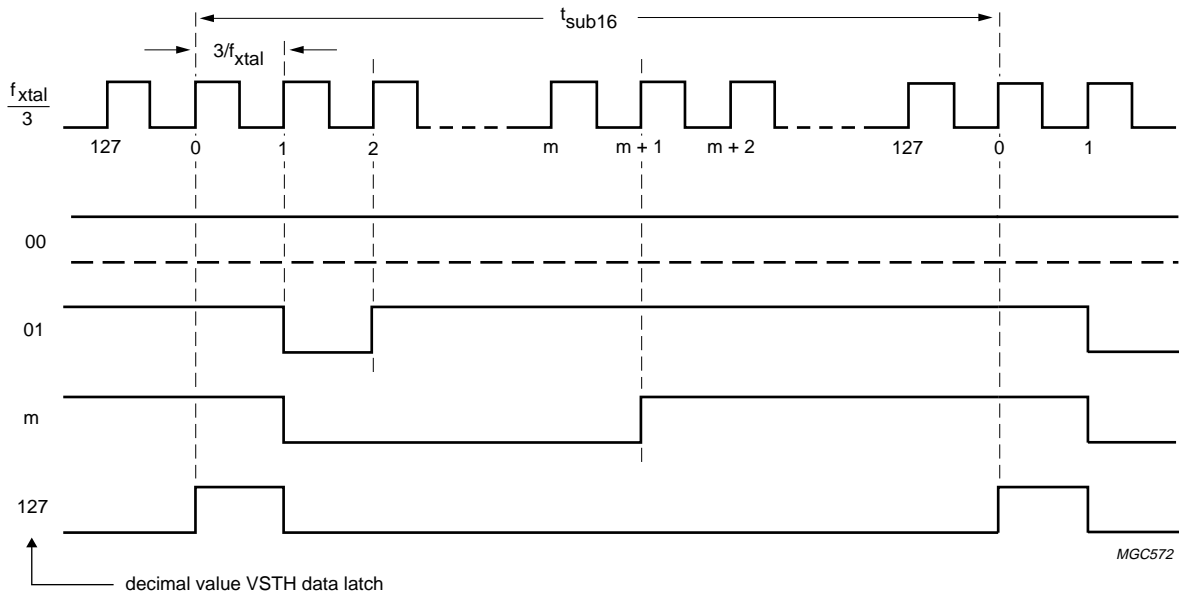


Fig.9 Fine adjustment output (OUT2).



VSTL = 111 1010; Additional pulses in subperiods 16, 48, 64, 80 and 112.

Fig.10 Example of TDAC (not inverted) output pulses for several values of VSTH ( $t_{sub16}$ ).

# Microcontrollers for TV tuning control and OSD applications

## PCA84C646; PCA84C846

### 8 AFC INPUT

The AFC input is intended to measure the level of the Automatic Frequency Control (AFC) signal. This is done by comparing the AFC signal with the output of a 4-bit digital-to-analog converter as shown in Fig.11. The DAC analog switches select one of the 16 resistor taps that are connected between  $V_{DD}$  and  $V_{SS}$  (controlled by bits AFCV3, AFCV2, AFCV1, AFCV0; Derivative Register 20). The AFCC signal (bit 0 in Derivative Register 20) then can be tested to check whether the AFC input is higher or lower than the DAC level.

The AFC inputs AFC0, AFC1 and AFC2 share the same pins as Derivative Port lines DP10, DP11 and DP12. The pin functions are selected by bits AFCE0, AFCE1, AFCE2 (AFC enable/disable bits; Derivative Register 22); for selection see Table 6.

AFCH1 and AFCH0 (Derivative Register 20) select one out of three AFC inputs to the comparator; for a correct comparison, enable the corresponding AFC input (AFCi) as shown in Table 7.

The conversion time of the AFC is greater than 6  $\mu s$  but less than 9  $\mu s$ . It is recommended to add a NOP instruction between the instruction which changes  $V_{ref}$  or channel selection and the instruction which reads the AFCC bit (compare bit).

If the compare bit:

- AFCC = 0, then the AFC voltage <  $V_{ref}$ .
- AFCC = 1, then the AFC voltage >  $V_{ref}$ .

**Table 6** Selection of pin function DP1i/AFCi (i = 0, 1, 2)

| BIT   | VALUE | PIN FUNCTION | COMPARATOR |
|-------|-------|--------------|------------|
| AFCE2 | 1     | DP12         | disabled   |
|       | 0     | AFC2         | enabled    |
| AFCE1 | 1     | DP11         | disabled   |
|       | 0     | AFC1         | enabled    |
| AFCE0 | 1     | DP10         | disabled   |
|       | 0     | AFC0         | enabled    |

**Table 7** AFC input selection

| AFCH1 | AFCH0 | SELECT              |
|-------|-------|---------------------|
| 0     | 0     | AFC Channel 0; AFC0 |
| 0     | 1     | AFC Channel 1; AFC1 |
| 1     | 0     | AFC Channel 2; AFC2 |
| 1     | 1     | reserved            |

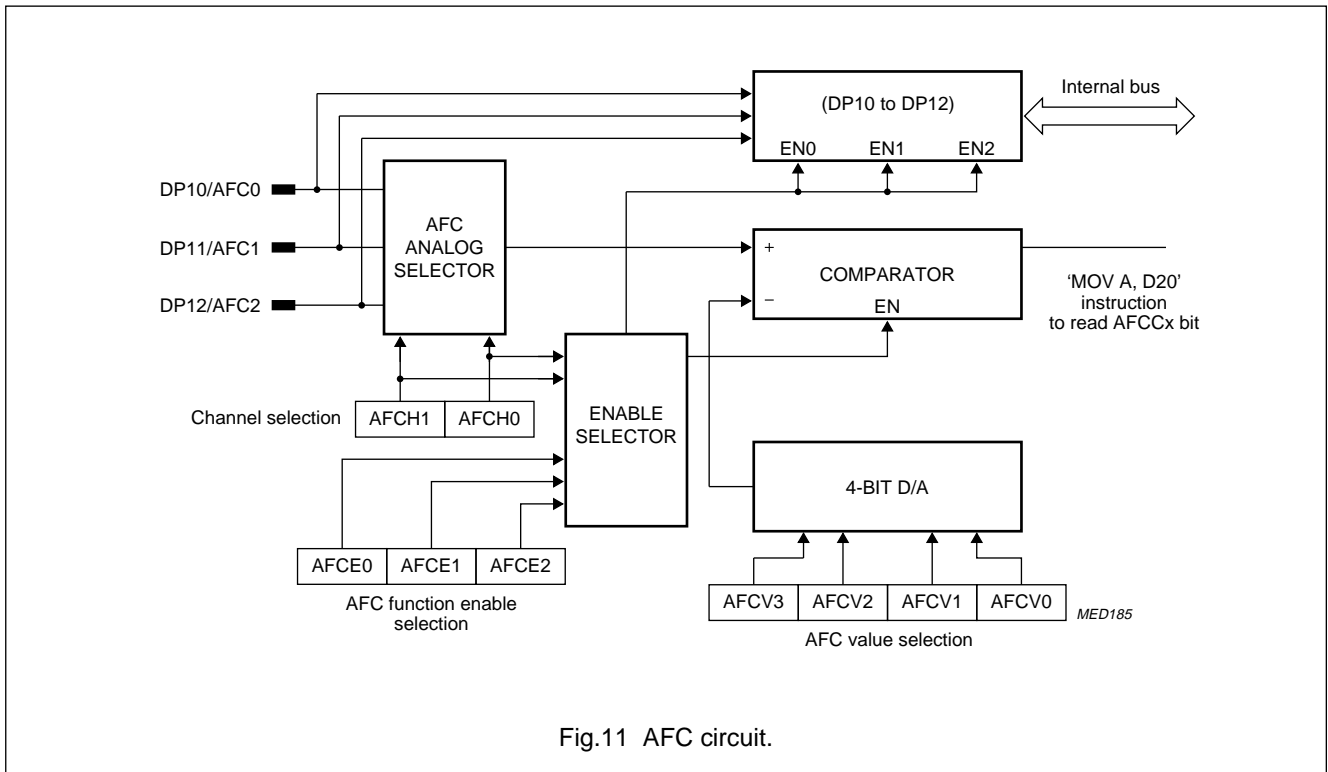


Fig.11 AFC circuit.

## Microcontrollers for TV tuning control and OSD applications

## PCA84C646; PCA84C846

**Table 8**  $V_{ref}$  as a function of AFCV3 to AFCV0

| AFCV3 | AFCV2 | AFCV1 | AFCV0 | $V_{ref}$                     | $V_{ref} (V_{DD} = 5.0 \text{ V})$ |
|-------|-------|-------|-------|-------------------------------|------------------------------------|
| 0     | 0     | 0     | 0     | $V_{DD} \times \frac{1}{16}$  | 0.31 V                             |
| 0     | 0     | 0     | 1     | $V_{DD} \times \frac{2}{16}$  | 0.62 V                             |
| 0     | 0     | 1     | 0     | $V_{DD} \times \frac{3}{16}$  | 0.93 V                             |
| 0     | 0     | 1     | 1     | $V_{DD} \times \frac{4}{16}$  | 1.25 V                             |
| 0     | 1     | 0     | 0     | $V_{DD} \times \frac{5}{16}$  | 1.56 V                             |
| 0     | 1     | 0     | 1     | $V_{DD} \times \frac{6}{16}$  | 1.87 V                             |
| 0     | 1     | 1     | 0     | $V_{DD} \times \frac{7}{16}$  | 2.18 V                             |
| 0     | 1     | 1     | 1     | $V_{DD} \times \frac{8}{16}$  | 2.50 V                             |
| 1     | 0     | 0     | 0     | $V_{DD} \times \frac{9}{16}$  | 2.81 V                             |
| 1     | 0     | 0     | 1     | $V_{DD} \times \frac{10}{16}$ | 3.12 V                             |
| 1     | 0     | 1     | 0     | $V_{DD} \times \frac{11}{16}$ | 3.43 V                             |
| 1     | 0     | 1     | 1     | $V_{DD} \times \frac{12}{16}$ | 3.75 V                             |
| 1     | 1     | 0     | 0     | $V_{DD} \times \frac{13}{16}$ | 4.06 V                             |
| 1     | 1     | 0     | 1     | $V_{DD} \times \frac{14}{16}$ | 4.37 V                             |
| 1     | 1     | 1     | 0     | $V_{DD} \times \frac{15}{16}$ | 4.68 V                             |
| 1     | 1     | 1     | 1     | $V_{DD}$                      | 5.00 V                             |

## Microcontrollers for TV tuning control and OSD applications

## PCA84C646; PCA84C846

### 9 OSD (ON SCREEN DISPLAY) FUNCTION

#### 9.1 Features

- Display RAM: 64 × 10 bit.
- Display character fonts: 64 (in which 62 customized + 2 special reserved codes).
- Display starting position (of the first character): 64 different positions by software control, both vertical and horizontal.
- Character size: 4 different character sizes, line-by-line basis, 1 dot = 1H/1V, 2H/2V, 3H/3V, 4H/4V.
- Character matrix: 12 × 18 with no spacing between characters.
- Foreground colours: 8, combination of Red, Green, Blue; character-by-character basis.
- Background/shadowing modes: 4, No background, Box shadowing, North-west shadowing, Frame shadowing (raster blanking), frame basis.
- Background colours: 8, combination of Red, Green, Blue; word-by-word basis. Available when background mode is either in Box shadowing or North-west shadowing and Frame shadowing mode.
- On-chip OSD oscillator.
- Character blinking rate: 1 : 1, 1 : 3, 3 : 1 (frequency:  $\frac{1}{16}$ ,  $\frac{1}{32}$ ,  $\frac{1}{64}$  or  $\frac{1}{128}$  of  $f_{VSYNC}$ , programmable, e.g. NTSC:  $\frac{60}{16}$  Hz, PAL:  $\frac{50}{64}$  Hz etc.); character basis.
- Display format: flexible display format by using Carriage Return (CR) code, maximum number of characters per line is flexible and depending on the OSD clock.
- Spacing between lines: 4 different choices from 0, 4, 8 or 12 horizontal scan lines.
- Display character RAM auto-address-post-increment when writing data.
- Programmable  $\overline{HSYNC}$  and  $\overline{VSYNC}$  active input polarity.
- Programmable G (VOW1), B (VOW2), R (VOW0) and FB (VOB) output polarity.

#### 9.2 Horizontal display position control

The horizontal position counter is increased every OSD clock ( $f_{OSD}$ ) cycle after the programmed level of  $\overline{HSYNC}$  occurs at the  $\overline{HSYNC}$  pin and is reset when the opposite polarity of the  $\overline{HSYNC}$  is reached. Horizontal start position is controlled by Derivative Register 36 (HPOS; see Table 36). The starting position is calculated as:

$$HP = [4 \times (H5 \text{ to } H0) + 5] \times (\text{OSD clock cycle})$$

where (H5 to H0) = decimal value of register HPOS; (H5 to H0) ≥ 10.

#### 9.3 Vertical display position control

The vertical position counter is increased every  $\overline{HSYNC}$  cycle and is reset by the  $\overline{VSYNC}$  signal. Vertical start position is controlled by Derivative Register 35 (VPOS; see Table 34). The vertical starting position is calculated as:

$$VP = [4 \times (V5 \text{ to } V0)] \times (\text{horizontal scan lines})$$

where (V5 to V0) = decimal value of register VPOS; (V5 to V0) ≥ 0.

#### 9.4 Clock generator

Figure 12 illustrates the block diagram of the on-chip OSD clock generator which consists of a Phased-Lock Loop (PLL) circuit. The Voltage Controlled Oscillator (VCO) outputs a clock ( $f_{VCO}$ ) with a frequency range of 8 to 20 MHz (see Fig.12). The input signal  $f_1 = \overline{HSYNC}$ .

The programmable active level detector:

- Passes signal  $f_1$ , when  $\overline{HSYNC}$  is active HIGH, or
- Inverts signal  $f_1$ , when  $\overline{HSYNC}$  is active LOW.

The output signal  $f_2$  is always active HIGH. The VCO is synchronized with the HIGH-to-LOW edge of the  $f_2$  signal.

The value programmed in the 7-bit PLL Programmable Counter control register (PLLCN; Derivative Register 25; see Table 40) determines:

$$f_{VCO} = f_1 \times 16 \times (\text{decimal value of 7-bit counter});$$

where  $16 < (\text{decimal value of 7-bit counter}) < 48$ .

The value 16 is the 4-bit prescaler which increases or decreases the output of the VCO in steps of  $(16 \times f_1)$ . Given an example of  $f_1 = 15.750$  kHz, the  $f_{VCO}$  is then increased or decreased in steps of  $16 \times 15.750$  kHz = 252 kHz = 0.25 MHz.

The  $f_{VCO}$  is fed into a buffer to generate the OSD dot clock frequency signal ( $f_{OSD}$ );  $4 \text{ MHz} \leq f_{OSD} \leq 12 \text{ MHz}$ . Decreasing  $f_{OSD}$  gives broader characters. Recommended:  $4 \text{ MHz} \leq f_{OSD} \text{ typical} \leq 12 \text{ MHz}$ .

The OSD clock is enabled/disabled by the state of the EN bit (Derivative Register 34; see also Section 12.4). When the OSD clock is disabled ( $f_{OSD} = \text{LOW}$ ) the oscillator remains active, therefore the transient time from the OSD clock start-up to locking into the external  $\overline{HSYNC}$  signal is reduced.

As the on-chip oscillator is always active after Power-on, when the OSD clock is enabled no large currents flow (as for RC or LC oscillators) and therefore radiated noise is dramatically reduced.



# Microcontrollers for TV tuning control and OSD applications

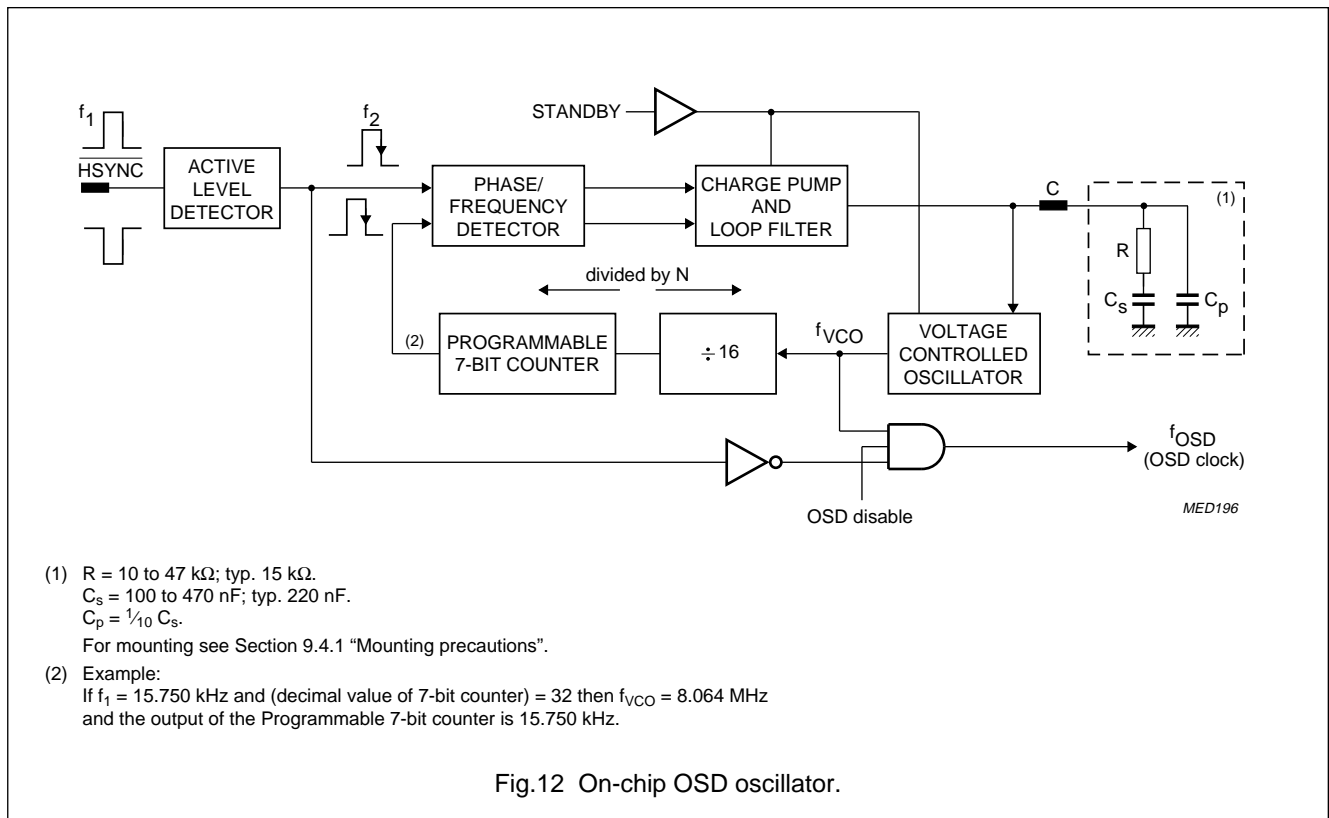
## PCA84C646; PCA84C846

### 9.4.1 MOUNTING PRECAUTIONS

To achieve good OSD performance, take the following precautions for the microcontroller mounting:

- Apply the recommended R, C<sub>s</sub> and C<sub>p</sub> (PLL loop filter) values as shown in Fig.12 and place them as close as possible to pin C (41).
- To guarantee stable PLL operation, apply a noise-free  $\overline{\text{HSYNC}}$  signal (pin 6).
- Avoid heavy loading of the output pins.
- The supply voltage (V<sub>DD</sub>) must be correctly decoupled. Connect decoupling capacitors as close as possible to the V<sub>DD</sub> and V<sub>SS</sub> pins.

- Position microcontroller optimal and away from components bearing high voltage and/or strong current.
- PLL loop filter ground of capacitors C<sub>s</sub> and C<sub>p</sub> must be directly connected to the V<sub>SS</sub> pin (21). Avoid a ground loop and separate the ground from other digital signals ground.
- The connection between V<sub>SS</sub> pin (21) and +5 V regulator ground/switching power supply secondary ground must be as short as possible.



# Microcontrollers for TV tuning control and OSD applications

PCA84C646; PCA84C846

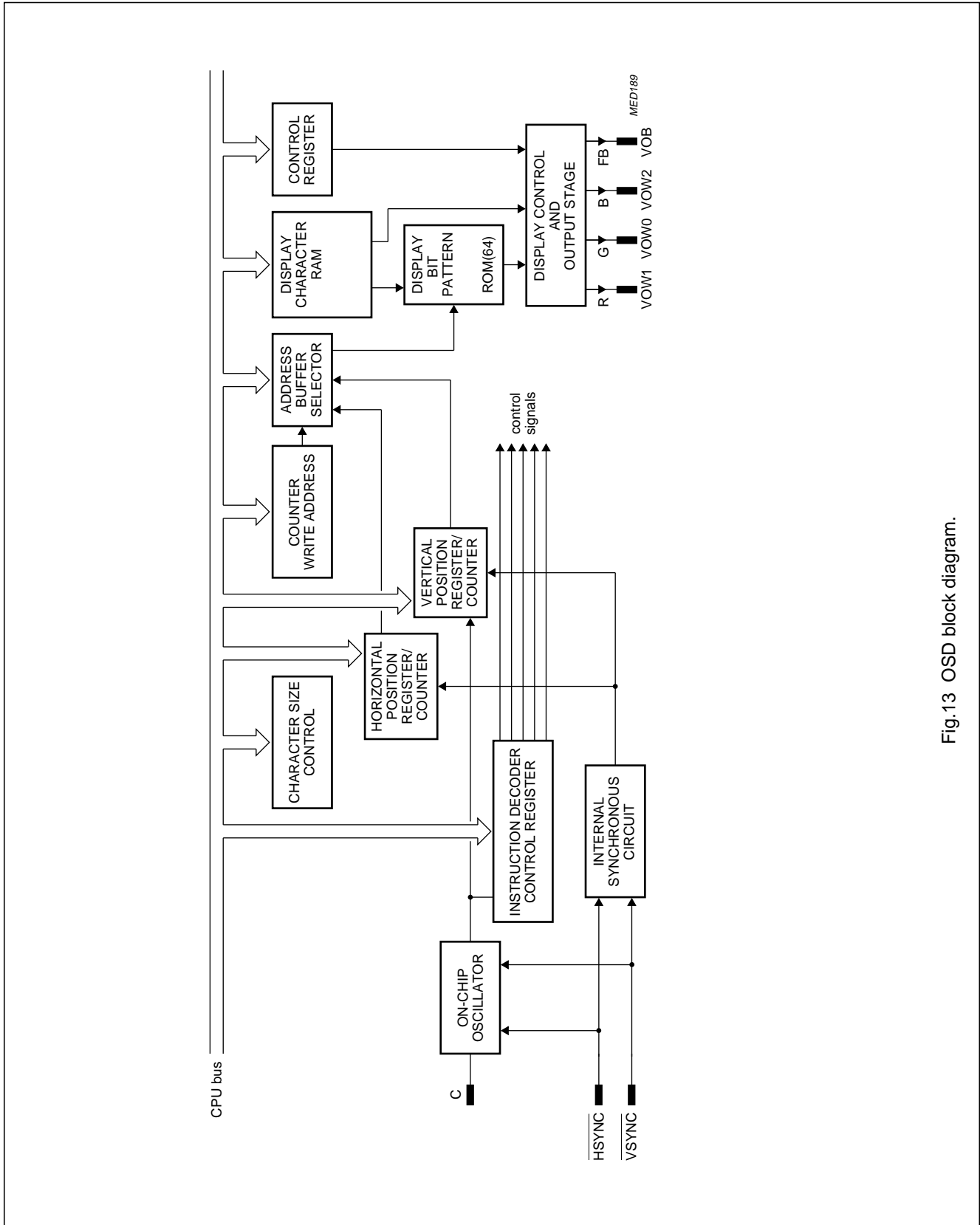


Fig.13 OSD block diagram.

## Microcontrollers for TV tuning control and OSD applications

PCA84C646; PCA84C846

### 10 DISPLAY RAM ORGANIZATION

The display RAM is organized as  $64 \times 10$  bits. The general format of each RAM location is as follows:

- Bits <9-4> hold data, comprising:
  - Customer designed Character Font Codes (62)
  - Carriage Return Code (1)
  - Space Code (1).
- Bits <3-0> contain the attributes of the Character Font:
  - Foreground colour and Blinking
  - Character size and Line space
  - Background colour and End-of-Display .

### 10.1 Description of display RAM codes

There are three data formats for the display RAM code

1. Character Font Code
2. Carriage Return Code
3. Space Code.

The three data formats and their descriptions are shown in Tables 9 to 17. Figure 14 illustrates an example of the timing of FB, R, G, and B pulses when displaying a line of dots stream in a character.

FB = VOB; R = VOW0, G = VOW1; B = VOW2.

Figure 15 shows an example of the screen which includes some Carriage Return and Space codes.

**Table 9** Format of Character Font Code

| 9                               | 8  | 7  | 6  | 5  | 4  | 3                 | 2  | 1  | 0     |
|---------------------------------|----|----|----|----|----|-------------------|----|----|-------|
| C5                              | C4 | C3 | C2 | C1 | C0 | T3                | T2 | T1 | T0    |
| Character Font Code (00H - 3DH) |    |    |    |    |    | Foreground colour |    |    | Blink |

**Table 10** Description of Character Font Code bits

| SYMBOL   | DESCRIPTION  |
|----------|--|
| C5 to C0 | If bits <9-4> are in the range (00H to 3DH), then this is a Character Font Code and 1 from 62 customer designed character fonts can be selected.   |
| T3 to T1 | Bits <3-1> determine the (Foreground) colour (1 out of 8) of this character; see Table 11.   |
| T0       | Blinking of this character is controlled by bit <0>. See Section 12.3 for duty cycle and frequency control.<br>When T0 = 0; blinking is OFF.<br>When T0 = 1; blinking is ON. Blinking rate: $\frac{1}{16}$ , $\frac{1}{32}$ , $\frac{1}{64}$ or $\frac{1}{128} \times f_{VSYNC}$ . |

**Table 11** Selection of Background and Foreground colour

| T3 (RED) | T2 (GREEN) | T1 (BLUE) | COLOUR  |
|----------|------------|-----------|---------|
| 0        | 0          | 0         | black   |
| 0        | 0          | 1         | blue    |
| 0        | 1          | 0         | green   |
| 0        | 1          | 1         | cyan    |
| 1        | 0          | 0         | red     |
| 1        | 0          | 1         | magenta |
| 1        | 1          | 0         | yellow  |
| 1        | 1          | 1         | white   |

## Microcontrollers for TV tuning control and OSD applications

PCA84C646; PCA84C846

**Table 12** Format of Carriage Return Code

|                            |          |          |          |          |          |                |          |              |          |
|----------------------------|----------|----------|----------|----------|----------|----------------|----------|--------------|----------|
| <b>9</b>                   | <b>8</b> | <b>7</b> | <b>6</b> | <b>5</b> | <b>4</b> | <b>3</b>       | <b>2</b> | <b>1</b>     | <b>0</b> |
| C5                         | C4       | C3       | C2       | C1       | C0       | T3             | T2       | T1           | T0       |
| Carriage Return Code (3EH) |          |          |          |          |          | Character size |          | Line Spacing |          |

**Table 13** Description of Carriage Return Code bits; format is shown in Table 12

| SYMBOL   | DESCRIPTION   |
|----------|---|
| C5 to C0 | If bits <9-4> hold 3EH, then this is the Carriage Return Code. The current display line is terminated (a transparent pattern appears on the screen) and the next character will be displayed at the beginning of the next line.   |
| T3 to T2 | Bits <3-2> select the size of the of the character to be displayed on the next line; see Table 14.  |
| T1 to T0 | Bits <1-0> determine the spacing between lines of displayed characters. Spacing is a multiple of the number of horizontal scan lines. In order to prevent vertical jumping of the display, the first line should be a non-displayed line i.e. the Carriage Return Code.<br>The line spacing for this code must not be zero; see Table 15. |

**Table 14** Selection of character size

| T3 | T2 | CHARACTER DOT SIZE <sup>(1)</sup> |
|----|----|-----------------------------------|
| 0  | 0  | 1H/1V                             |
| 0  | 1  | 2H/2V                             |
| 1  | 0  | 3H/3V                             |
| 1  | 1  | 4H/4V                             |

**Table 15** Selection of line spacing

| T1 | T0 | LINE SPACING |
|----|----|--------------|
| 0  | 0  | 0H line      |
| 0  | 1  | 4H line      |
| 1  | 0  | 8H line      |
| 1  | 1  | 12H line     |

**Note**

- H is the OSD clock period; V is the number of horizontal scan lines per dot.

**Table 16** Format of Space Code

|                  |          |          |          |          |          |                   |          |          |          |
|------------------|----------|----------|----------|----------|----------|-------------------|----------|----------|----------|
| <b>9</b>         | <b>8</b> | <b>7</b> | <b>6</b> | <b>5</b> | <b>4</b> | <b>3</b>          | <b>2</b> | <b>1</b> | <b>0</b> |
| C5               | C4       | C3       | C2       | C1       | C0       | T3                | T2       | T1       | T0       |
| Space Code (3FH) |          |          |          |          |          | Background colour |          | End      |          |

**Table 17** Description of Space Code bits; format is shown in Table 16

| SYMBOL   | DESCRIPTION  |
|----------|--|
| C5 to C0 | If bits <9-4> hold 3FH, then this is the Space Code. A transparent pattern, equal to one character width, will be displayed on the screen.   |
| T3 to T1 | Bits <3-1> determine the background colour of the characters including the Space Code in Box shadowing mode but following the Space Code in North-west shadowing mode. See Section 12.4 for more details. Background colour selection is the same as Foreground colour selection; see Table 11.  |
| T0       | Bit <0> is the End-of-Display bit and indicates the end of display of the current screen before exhaustion of display RAM. The last character displayed on the TV screen is either the 64 <sup>th</sup> RAM location or a Space Code with the End-of-display attribute set to logic 1.<br>When T0 = 0; continue display of next character.<br>When T0 = 1; end of display. |

Microcontrollers for TV tuning control and OSD applications

PCA84C646; PCA84C846

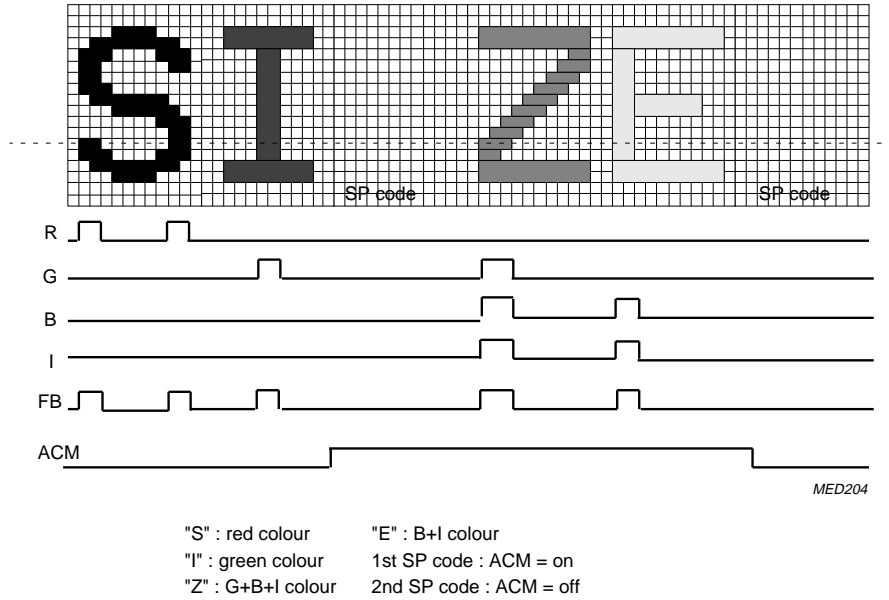


Fig.14 R, G, B and FB timing.

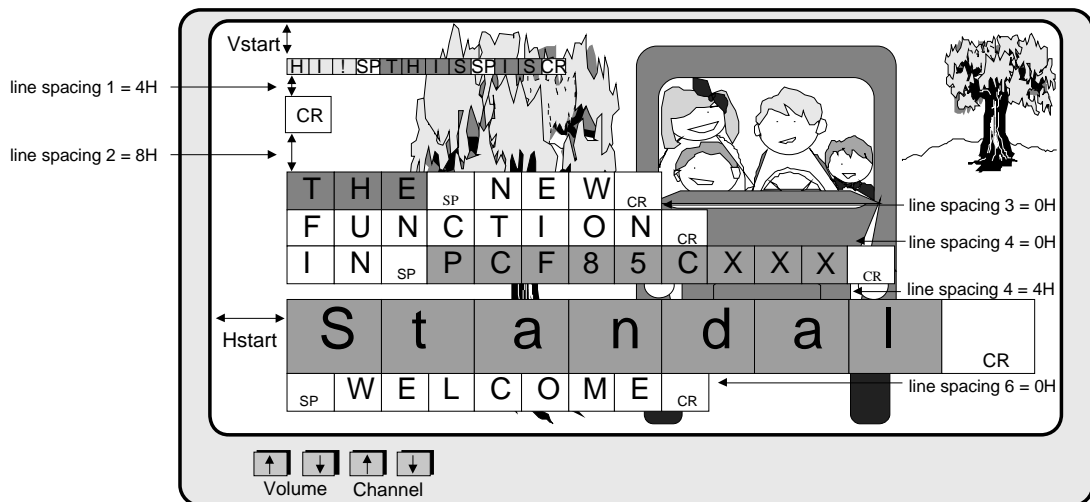


Fig.15 On-screen-display (an example).

# Microcontrollers for TV tuning control and OSD applications

## PCA84C646; PCA84C846

### 10.2 Loading character data into display RAM

Three Derivative Registers are used to address and load data into the display RAM. These registers (configurations are shown in Tables 18, 19 and 20) are described in the following Sections.

#### 10.2.1 DCR ADDRESS REGISTER (DCRAR)

**Table 18** DCRAR (address 30H)

|   |   |    |    |    |    |    |    |
|---|---|----|----|----|----|----|----|
| 7 | 6 | 5  | 4  | 3  | 2  | 1  | 0  |
| – | – | A5 | A4 | A3 | A2 | A1 | A0 |

This is Derivative Register 30 and bits <5-0> holds the address of the location in display RAM to which the data held in registers DCRTR and DCRCR will be written to. Bits <7-6> are reserved.

#### 10.2.2 DCR ATTRIBUTE REGISTER (DCRTR)

**Table 19** DCRTR (address 31H)

|   |   |   |   |    |    |    |    |
|---|---|---|---|----|----|----|----|
| 7 | 6 | 5 | 4 | 3  | 2  | 1  | 0  |
| – | – | – | – | T3 | T2 | T1 | T0 |

This is Derivative Register 31 and holds the character font attribute data. The data will be loaded into bits <3-0> of the location in RAM pointed to by the contents of DCRAR. Bits <7-4> are reserved.

#### 10.2.3 DCR CHARACTER REGISTER (DCRCR)

**Table 20** DCRCR (address 32H)

|   |   |    |    |    |    |    |    |
|---|---|----|----|----|----|----|----|
| 7 | 6 | 5  | 4  | 3  | 2  | 1  | 0  |
| – | – | C5 | C4 | C3 | C2 | C1 | C0 |

This is Derivative Register 32 and holds the character data that will be loaded into bits <9-4> of the location in RAM addressed by the contents of DCRAR. Bits <7-6> are reserved.

### 10.3 Writing character data to display RAM

1. Select the start address in display RAM. The start address is stored in DCRAR and can take any value between 0 and 63.

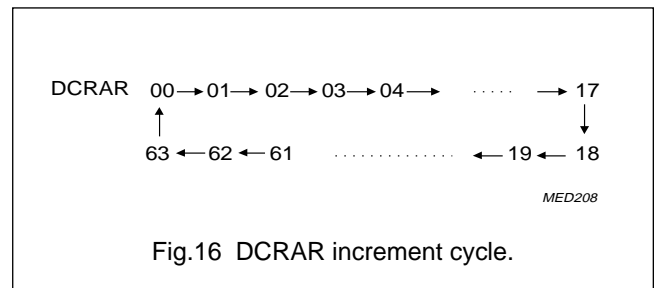
2. Load the character attributes into DCRTR. If the attributes of a series of displayed characters are the same, only DCRCR needs to be updated.  
The meaning of the attributes (4 bits) is dependent on the contents of the next command (the data in the DCRCR bits <5-0>; i.e. Carriage Return Code, Space Code or Character Font Code).
3. Load the character data into DCRCR. This operation loads the selected RAM location with the data held in registers DCRTR and DCRCR. The address held in DCRAR is then incremented by '1' pointing to the next RAM location in anticipation of the next operation.

Overflow of the DCRAR, i.e. overflow from 63 to 64, makes it reset to zero. After the instruction 'MOV D32H, A' is finished, the post-increment operation is performed automatically. Auto-post-increment operation:

```

Begin
    (DCRAR) ≤ (DCRAR) + 1
    If (DCRAR) > 63 then (DCRAR) ≤ 0
End
    
```

After master  $\overline{\text{RESET}}$  the initial values of DCRAR, DCRTR and DCRCR are all zero. Figure 16 shows how DCRAR is incremented and advanced.



### 10.4 Default value of the display character

The default values of the display characters, after master RESET, are as follows:

- Background colour = Blue (R = 0, G = 0, B = 1)
- Character size = 1V/1H
- End-of-Display control bit = 0.

If another set-up is needed, the first character should be SP code and second character is CR code to define the character size and background colour.

# Microcontrollers for TV tuning control and OSD applications

## PCA84C646; PCA84C846

### 11 CHARACTER ROM

Each character font is stored in the on-chip character ROM in a 12 × 19 dot matrix. However, only elements in Rows 1 to 18 (12 × 18 dot matrix) can be selected as visible dots on the screen.

Row 0 is only used for the combination of two characters in a vertical direction when North-west shadowing mode is selected (for details see Section 12.4). Row 0 contains the same bit pattern of Row 18 of the character above it. If no combined character in vertical direction is intended for this character, Row 0 should be filled with all zeros.

#### 11.1 Character ROM organization

ROM is divided into two parts: ROM1 and ROM2. The organization of the bit patterns stored in ROM1 and ROM2 and the file format to submit to Philips for customized character sets is shown in Fig.17.

A software package (OSDGEM) that assists in the design of character fonts on-screen and that also automatically

generates the bit pattern HEX files is available on request. The package is run under the MS-DOS environment for IBM compatible PCs.

Regarding Fig.17 the following points should be noted.

1. Row 0 of each font is reserved for vertical combination of two fonts.
2. Binary 1 denotes visual dots.
3. ROM1 and ROM2 data files are in INTEL hex format on a byte basis. Each byte is structured High nibble followed by Low nibble.
4. The unused last byte of each font in ROM1 must be filled with FFH.
5. The unused last 2½ bytes in ROM2 must be filled with the same data as held in the corresponding address in ROM1.
6. The data bytes of the last 2 reserved fonts (Carriage Return and Space Codes) should be filled with 00H.
7. CS denotes Checksum.

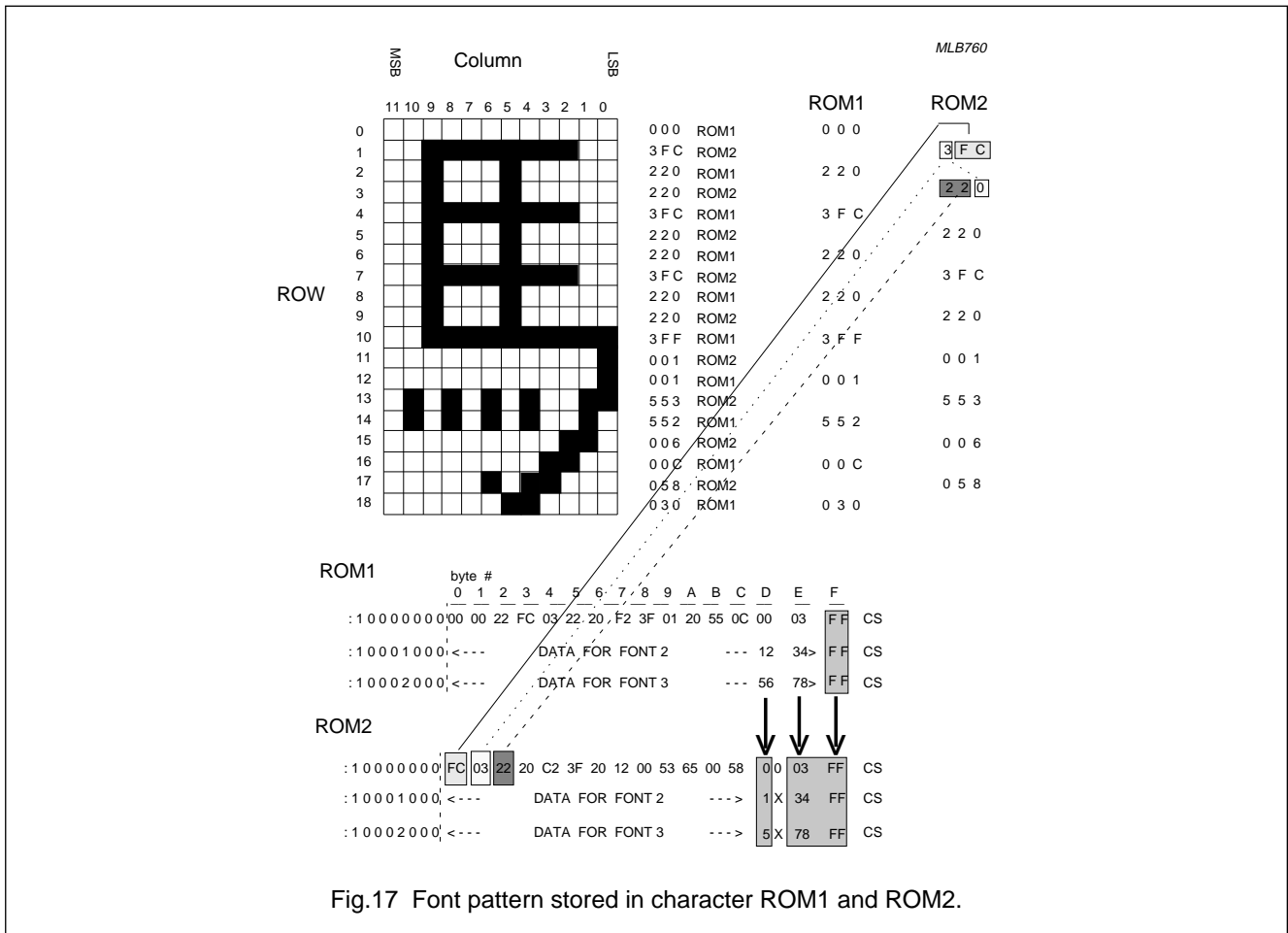


Fig.17 Font pattern stored in character ROM1 and ROM2.

## Microcontrollers for TV tuning control and OSD applications

PCA84C646; PCA84C846

### 12 OSD CONTROL REGISTERS

The functions of the OSD circuitry are controlled by the Derivative Registers as shown in Table 21.

**Table 21** OSD Control Registers overview

| NAME | DERIVATIVE REGISTER |      | FUNCTION   |
|------|---------------------|------|--|
|      | NUMBER              | ADDR |  |
| CON1 | 22                  | 22H  | Enable TDAC; the I <sup>2</sup> C-bus lines; the AFC functions and the VOW0 and VOW1 lines.  |
| CON2 | 23                  | 23H  | Selects the output polarity of the PWM outputs and also enables and selects the VSYNC interrupt.   |
| CON3 | 33                  | 33H  | Selects the blinking frequency and the active ratio of the blinking frequency for the OSD.   |
| CON4 | 34                  | 34H  | Selects the 4 display modes; the active state of $\overline{\text{HSYNC}}$ and $\overline{\text{VSYNC}}$ and the output polarity of the FB and VOW0 to VOW2 outputs. It also enables/disables the OSD clock. |
| VPOS | 35                  | 35H  | Selects the vertical starting position of the display row.   |
| HPOS | 36                  | 36H  | Selects the horizontal starting position of the display row.   |
| BCC  | 37                  | 37H  | Selects the background colour.   |



## Microcontrollers for TV tuning control and OSD applications

PCA84C646; PCA84C846

### 12.1 Derivative Register 22 (CON1)

**Table 22** Derivative Register 22 (address 22H)

| 7     | 6    | 5    | 4     | 3     | 2     | 1     | 0     |
|-------|------|------|-------|-------|-------|-------|-------|
| TDACE | SCLE | SDAE | ADC2E | ADC1E | ADC0E | VOW1E | VOW0E |

**Table 23** Description of Derivative Register 22 bits

| BIT | SYMBOL | DESCRIPTION  |
|-----|--------|--|
| 7   | TDACE  | Pulse Width Modulated output TDAC enable bit. When:<br>TDACE = 1; pin DP13/TDAC is selected as output TDAC.<br>TDACE = 0; pin DP13/TDAC is selected as Derivative Port line DP1.                 |
| 6   | SCLE   | I <sup>2</sup> C-bus clock enable bit. When:<br>SCLE = 1; pin DP21/SCL is selected as SCL (I <sup>2</sup> C-bus clock line).<br>SCLE = 0; pin DP21/SCL is selected as Derivative Port line DP21. |
| 5   | SDAE   | I <sup>2</sup> C-bus data enable bit. When:<br>SDAE = 1; pin DP20/SDA is selected as SDA (I <sup>2</sup> C-bus data line).<br>SDAE = 0; pin DP20/SDA is selected as Derivative Port line DP20.   |
| 4   | AFCE2  | These 3 bits select the pin function of DP1i/AFC and enable/disable the comparator in the AFC circuit; for the selection and enable/disable function see Table 7.                                |
| 3   | AFCE1  |  |
| 2   | AFCE0  |  |
| 1   | VOW1E  | Pin function selection bit. When:<br>VOW1E = 1; pin DP22/VOW1 is selected as VOW1.<br>VOW1E = 0; pin DP22/VOW1 is selected as Derivative Port line DP22.   |
| 0   | VOW0E  | Pin function selection bit. When:<br>VOW0E = 1; pin DP23/VOW1 is selected as VOW1.<br>VOW0E = 0; pin DP23/VOW1 is selected as Derivative Port line DP23.   |

## Microcontrollers for TV tuning control and OSD applications

PCA84C646; PCA84C846

### 12.2 Derivative Register 23 (CON2)

**Table 24** Derivative Register 23

| 7    | 6    | 5 | 4 | 3 | 2      | 1     | 0     |
|------|------|---|---|---|--------|-------|-------|
| VINT | VIEN | – | – | – | P14LVL | P7LVL | P6LVL |

**Table 25** Description of Derivative Register 23 bits

| BIT    | SYMBOL | DESCRIPTION   |
|--------|--------|---|
| 7      | VINT   | Bit VINT indicates if the interrupt comes from $\overline{\text{VSYNC}}$ (if VINT = 1 and VIEN = 1) or I <sup>2</sup> C-bus when the CPU gets interrupted by interrupt vector address 7.  |
| 6      | VIEN   | The $\overline{\text{VSYNC}}$ leading edge (active level detection automatically done by the PCA84C646/PCA84C846) generates an interrupt if bit VIEN = 1 and the SIO interrupt is enabled (i.e. the I <sup>2</sup> C-bus and the $\overline{\text{VSYNC}}$ interrupt shares the same interrupt vector). |
| 5 to 4 | –      | These three bits are reserved.  |
| 2      | P14LVL | Polarity select bit for output TDA. When:<br>P14LVL = 1; the TDAC output is inverted.<br>P14LVL = 0; the TDAC output is not inverted.   |
| 1      | P7LVL  | Polarity select bit for outputs PWM00 to PWM03. When:<br>P7LVL = 1; the outputs PWM00 to PWM03 are inverted.<br>P7LVL = 0; the outputs PWM00 to PWM03 are not inverted.   |
| 0      | P6LVL  | Polarity select bit for outputs PWM04 to PWM07. When:<br>P6LVL = 1; the outputs PWM04 to PWM07 are inverted.<br>P6LVL = 0; the outputs PWM04 to PWM07 are not inverted.   |

# Microcontrollers for TV tuning control and OSD applications

## PCA84C646; PCA84C846

### 12.3 Derivative Register 33 (CON3)

Derivative Register 33 is to control the character blinking related operation. Figure 18 shows the timing diagram of character blinking frequency and blinking ratio.

**Table 26** Derivative Register 33

|   |   |   |   |     |     |     |     |
|---|---|---|---|-----|-----|-----|-----|
| 7 | 6 | 5 | 4 | 3   | 2   | 1   | 0   |
| - | - | - | - | BR1 | BR0 | BF1 | BF0 |

**Table 27** Description of Derivative Register 33 bits

| BIT    | SYMBOL | DESCRIPTION  |
|--------|--------|--|
| 7 to 4 | -      | These 4 bits are reserved.   |
| 3      | BR1    | Blinking active ratio select bits. These two bits allow one from a choice of three active blinking ratios to be selected; see Table 28.  |
| 2      | BR0    |  |
| 1      | BF1    | Blinking frequency select bits. These two bits allow one from a choice of four blinking frequencies to be selected.<br><br>Blinking frequency = $\frac{f_{VSYNC}}{16 \times 2^{(BF1, BF0)}} \text{ Hz}$ ,<br>where '2 <sup>(BF1, BF0)</sup> ' is a decimal value determined by bits BF1 and BF0; see Table 29. |
| 0      | BF0    |  |

**Table 28** Active ratio determined by bits BR1 and BR0

| BR1 | BR0 | ACTIVE RATIO    |
|-----|-----|-----------------|
| 0   | 0   | 3 : 1 (default) |
| 0   | 1   | 1 : 1           |
| 1   | 0   | 1 : 3           |
| 1   | 1   | reserved        |

**Table 29** Blinking frequency determined by (BF1,BF0)

| BF1 | BF0 | 2 <sup>(BF1, BF0)</sup> | BLINKING FREQUENCY (Hz)                    |
|-----|-----|-------------------------|--|
| 0   | 0   | 1                       | $\frac{1}{16} \times f_{VSYNC}$            |
| 0   | 1   | 2                       | $\frac{1}{32} \times f_{VSYNC}$            |
| 1   | 0   | 4                       | $\frac{1}{64} \times f_{VSYNC}$            |
| 1   | 1   | 8                       | $\frac{1}{128} \times f_{VSYNC}$ (default) |

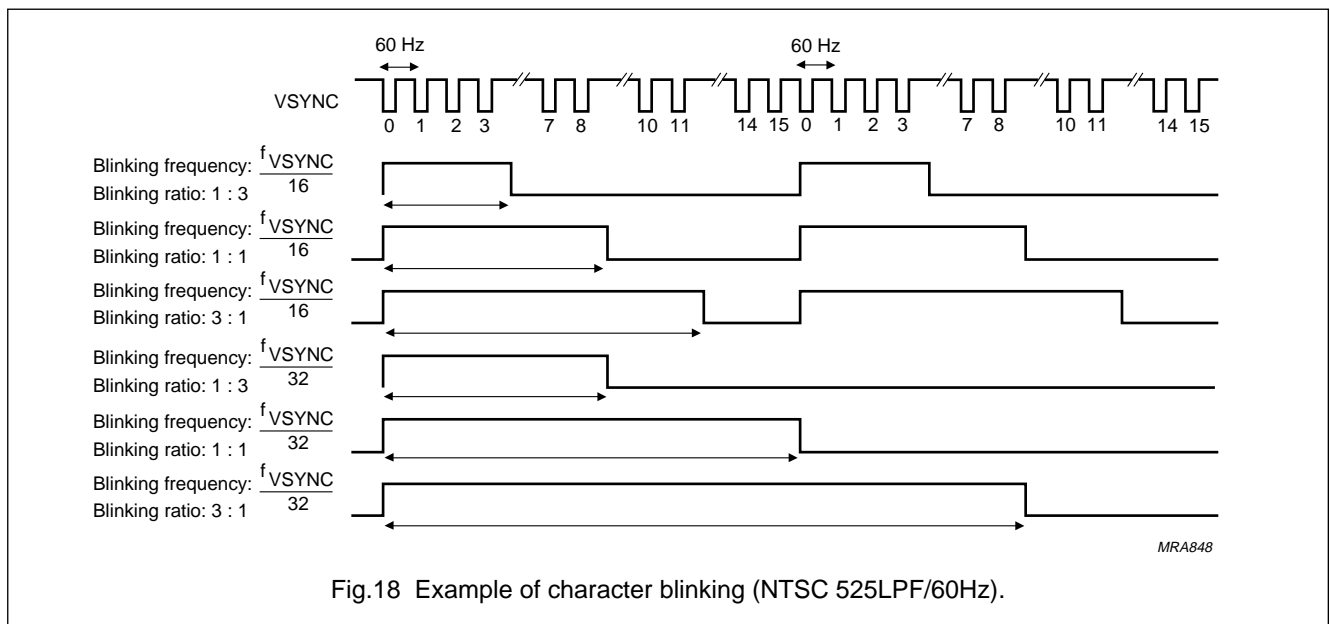


Fig.18 Example of character blinking (NTSC 525LPF/60Hz).

## Microcontrollers for TV tuning control and OSD applications

PCA84C646; PCA84C846

### 12.4 Derivative Register 34 (CON4)

This register selects the 4 display modes (Mode 0 to Mode 3); the active state of  $\overline{\text{HSYNC}}$  and  $\overline{\text{VSYNC}}$  and the output polarity of the FB and VOW0 to VOW2 outputs. It also enables/disables the OSD clock ( $f_{\text{OSD}}$ ).

**Table 30** Derivative Register 34

|   |   |    |    |    |    |    |    |
|---|---|----|----|----|----|----|----|
| 7 | 6 | 5  | 4  | 3  | 2  | 1  | 0  |
| – | – | S1 | S0 | Hp | Vp | Bp | EN |

**Table 31** Description of Derivative Register 34 bits

| BIT | SYMBOL | DESCRIPTION  |
|-----|--------|--|
| 7   | –      | These two bits are reserved.   |
| 6   | –      |  |
| 5   | S1     | Display mode select bits; see Table 32.  |
| 4   | S0     |  |
| 3   | Hp     | $\overline{\text{HSYNC}}$ signal polarity control bit (see Fig.19).<br>When Hp = 1; the active level of $\overline{\text{HSYNC}}$ is HIGH.<br>When Hp = 0; the active level of $\overline{\text{HSYNC}}$ is LOW (default state). |
| 2   | Vp     | $\overline{\text{VSYNC}}$ signal polarity control bit (see Fig.19).<br>When Vp = 1; the active level of $\overline{\text{VSYNC}}$ is HIGH.<br>When Vp = 0; the active level of $\overline{\text{VSYNC}}$ is LOW (default state). |
| 1   | Bp     | Output polarity control bit for FB, VOW0, VOW1 and VOW2 (see Fig.20).<br>When Bp = 1; the polarity of FB, VOW0, VOW1 and VOW2 is HIGH (default state).<br>When Bp = 0; the polarity of FB, VOW0, VOW1 and VOW2 is LOW.           |
| 0   | EN     | OSD clock enable/disable bit.<br>When EN = 1; the OSD clock is enabled.<br>When EN = 0; the OSD clock is disabled.   |

**Table 32** Selection of Display Modes

| S1 | S0 | DISPLAY MODE  |
|----|----|---|
| 0  | 0  | Mode 0 No background mode (see Fig.21). The OSD fonts/characters are directly superimposed on the TV video signals.   |
| 0  | 1  | Mode 1 North-west shadowing mode (see Fig.22). Available only in the character size 2V/2H or 4V/4H (V: horizontal line; H: OSD clock). The shadows of the characters are generated by placing a light source on the North-west 45 degree direction (see also Figs 25 and 26). When designing the character bit pattern, care must be taken that the shadows generated by this mode is only within the cell boundary in vertical direction (see Figs 28 and 29 for details). But shadows generated by this mode in horizontal direction has no boundary limitation (Fig.30). |
| 1  | 0  | Mode 2 Box shadowing mode (see Fig.23). Box shadowing is to surround the character font by a 12 × 18 dots box in background, i.e. within the character font cell; locations with no foreground dots are filled with background dots (see Fig.27).   |
| 1  | 1  | Mode 3 Frame shadowing mode (raster blanking; see Fig.24); background colour displayed on full screen where no bit patterns are on. The background colour is controlled by Derivative Register 37 and has 8 different colours; see Table 39.  |

Microcontrollers for TV tuning control and OSD applications

PCA84C646; PCA84C846

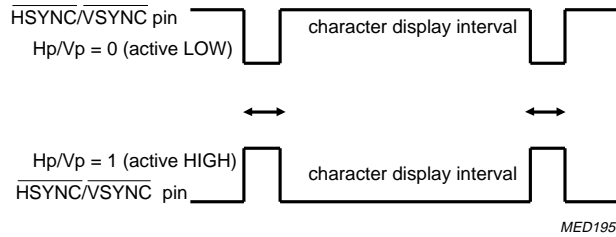


Fig.19 Bits Hp/Vp determine the active level of the  $\overline{\text{HSYNC/VSYNC}}$  signal.

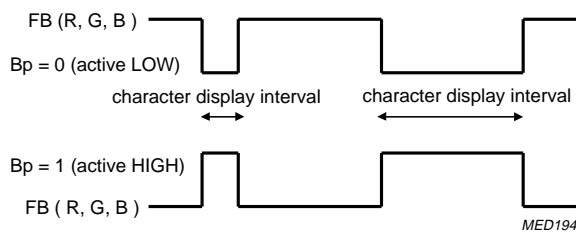


Fig.20 Bit Bp determines the active level of FB, R, G and B.

Microcontrollers for TV tuning control and OSD applications

PCA84C646; PCA84C846

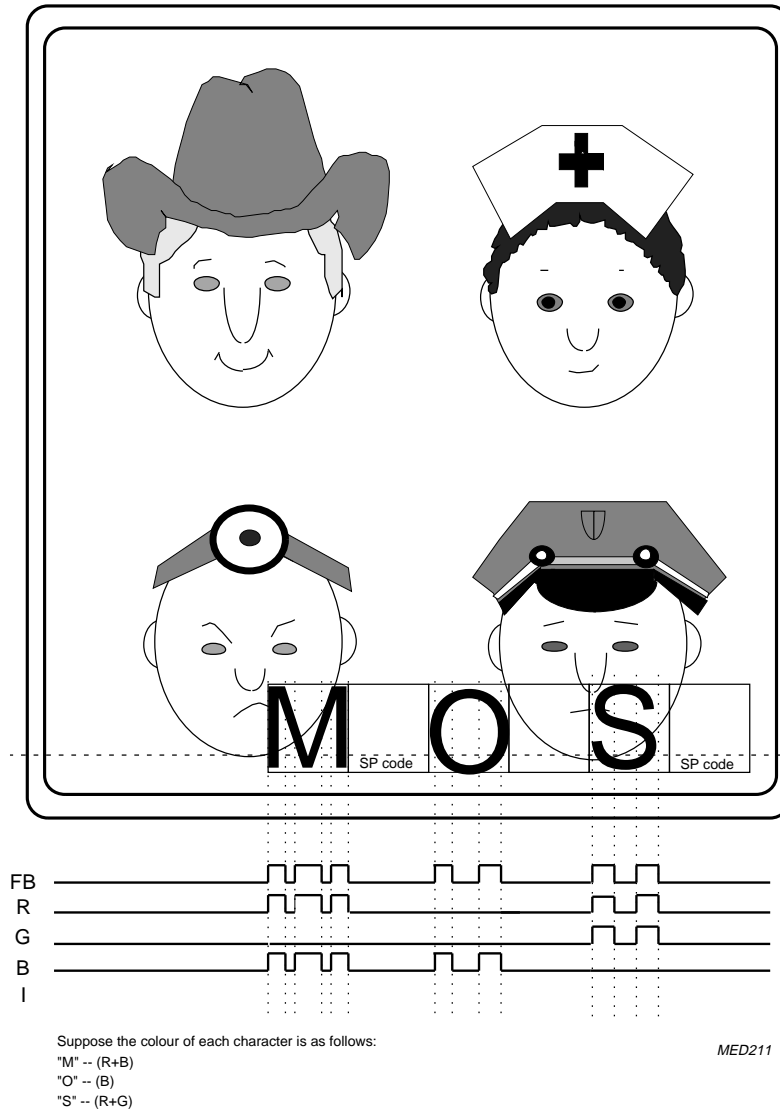
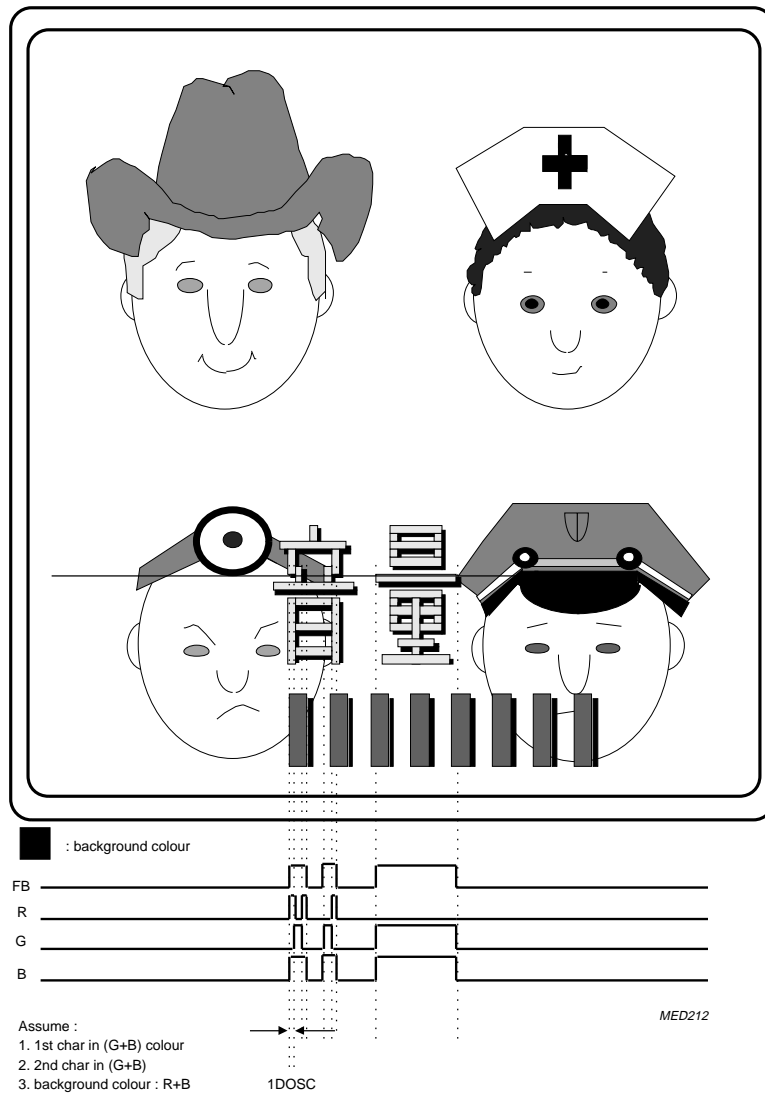


Fig.21 Mode 0: No Background (superimpose) mode.

Microcontrollers for TV tuning control and OSD applications

PCA84C646; PCA84C846



Available only in character size 2V/2H or 4V/4H.

Fig.22 Mode 1: North-west shadowing mode.

Microcontrollers for TV tuning control and OSD applications

PCA84C646; PCA84C846

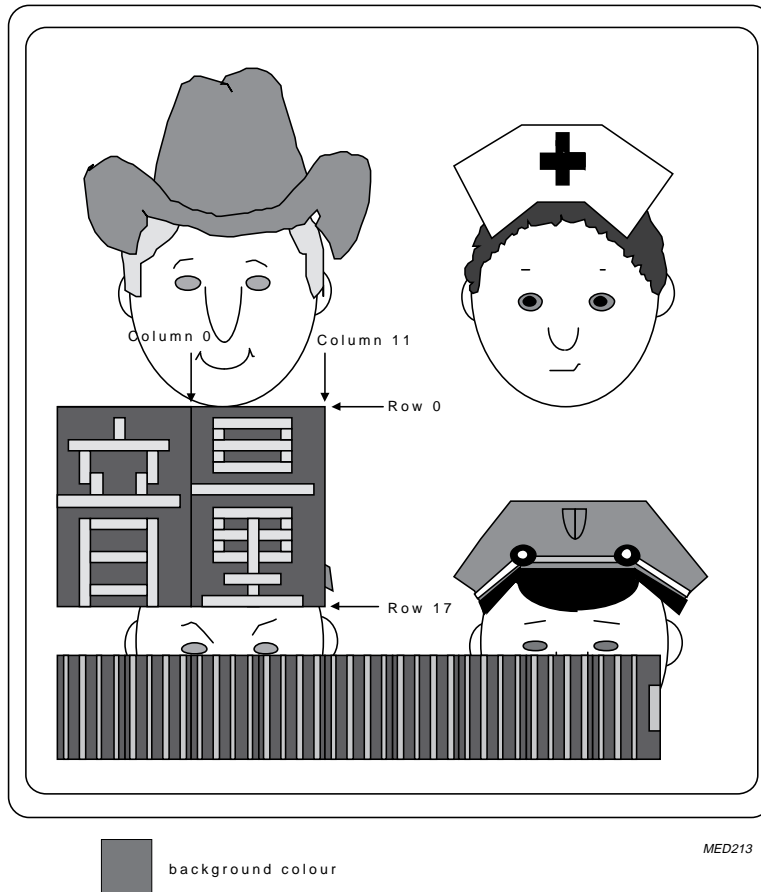
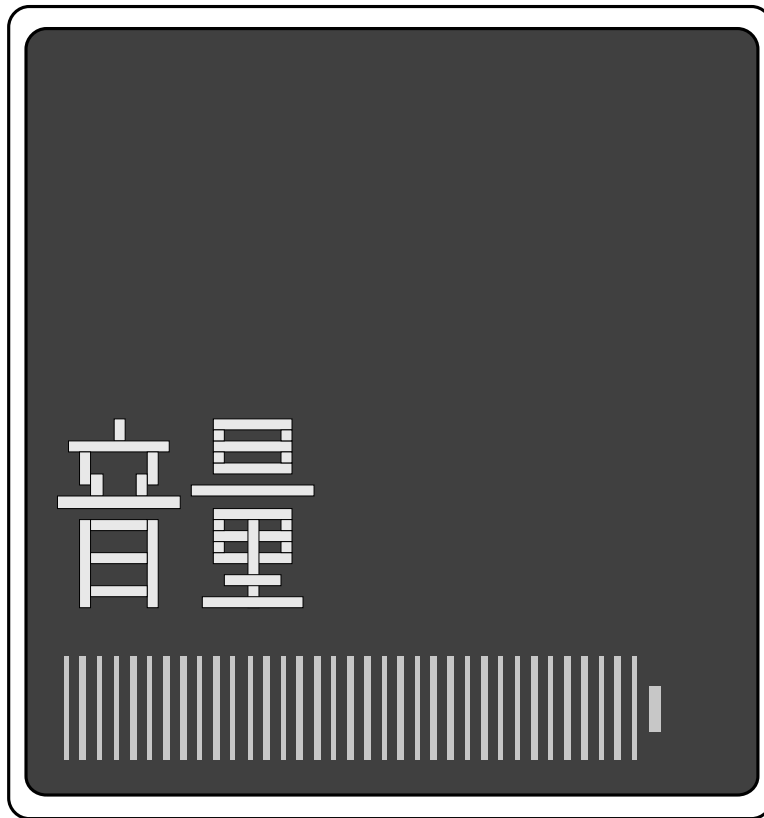


Fig.23 Mode 2: Box shadowing mode.



Microcontrollers for TV tuning  
control and OSD applications

PCA84C646; PCA84C846



■ Background colour = BLUE

MED214

Fig.24 Mode 3: Frame shadowing mode.

Microcontrollers for TV tuning control and OSD applications

PCA84C646; PCA84C846

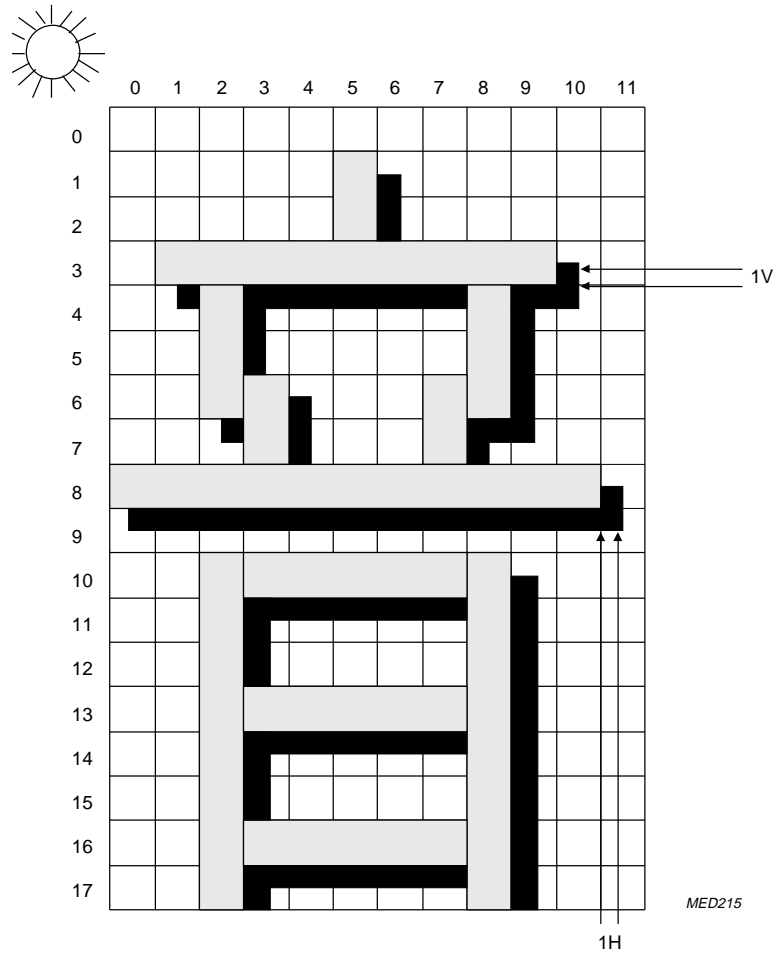


Fig.25 Example of North-west shadowing mode; size = 2V/2H.

Microcontrollers for TV tuning control and OSD applications

PCA84C646; PCA84C846

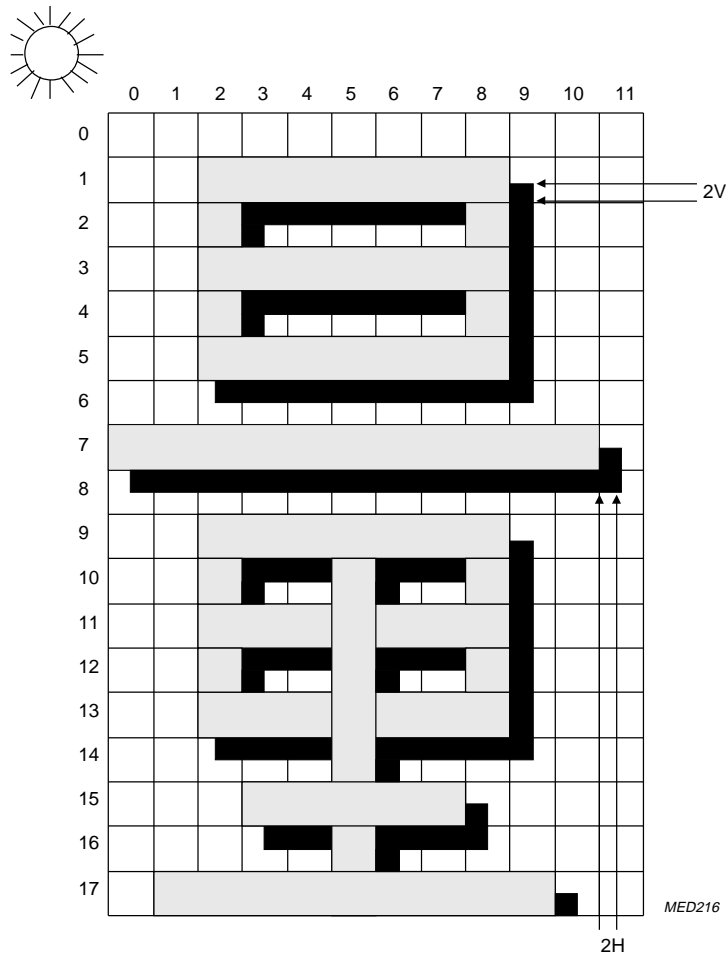
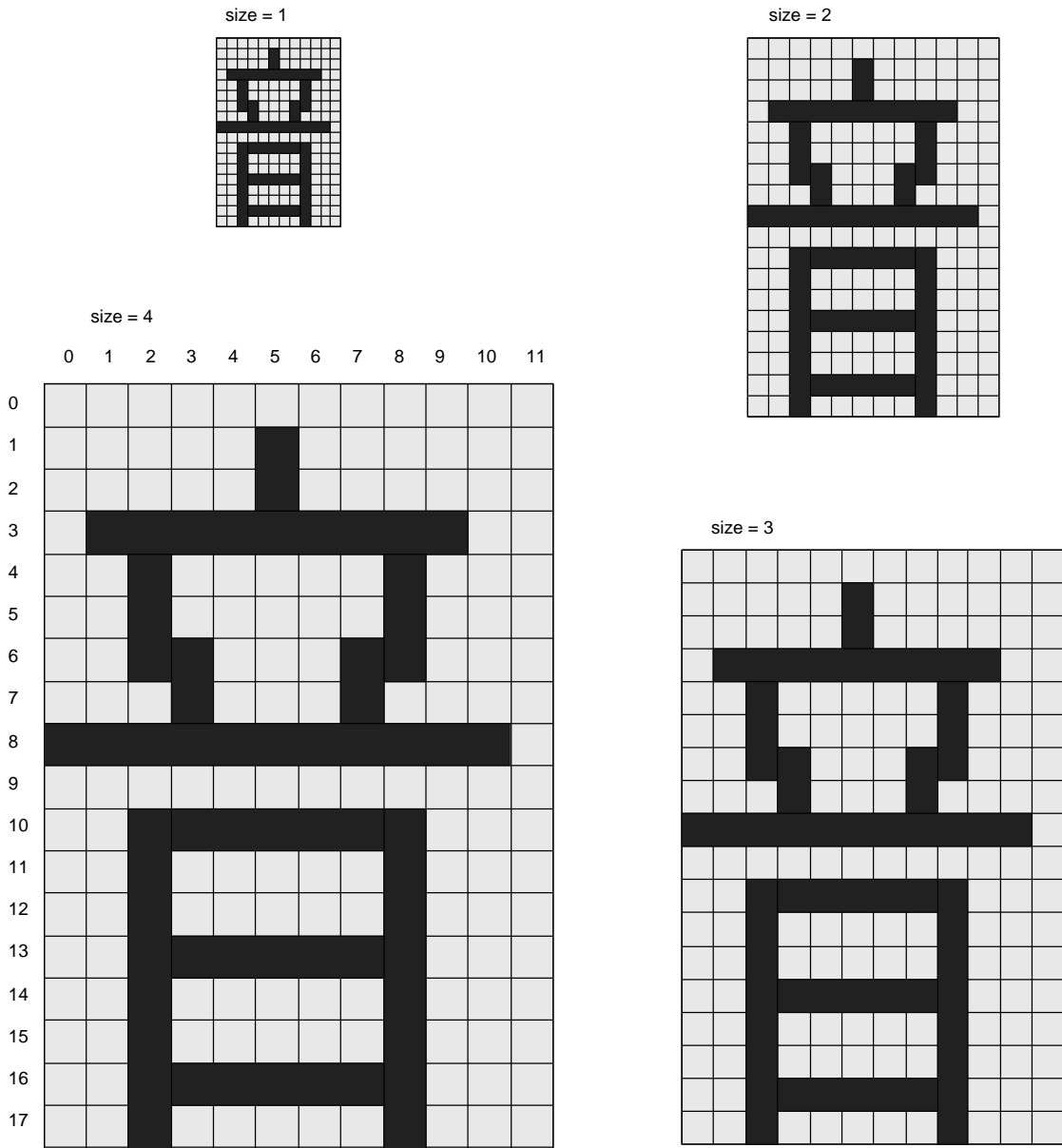


Fig.26 Example of North-west shadowing mode; size = 4V/4H.

# Microcontrollers for TV tuning control and OSD applications

## PCA84C646; PCA84C846



MED217

Fig.27 Example of Box shadowing mode.

Microcontrollers for TV tuning control and OSD applications

PCA84C646; PCA84C846

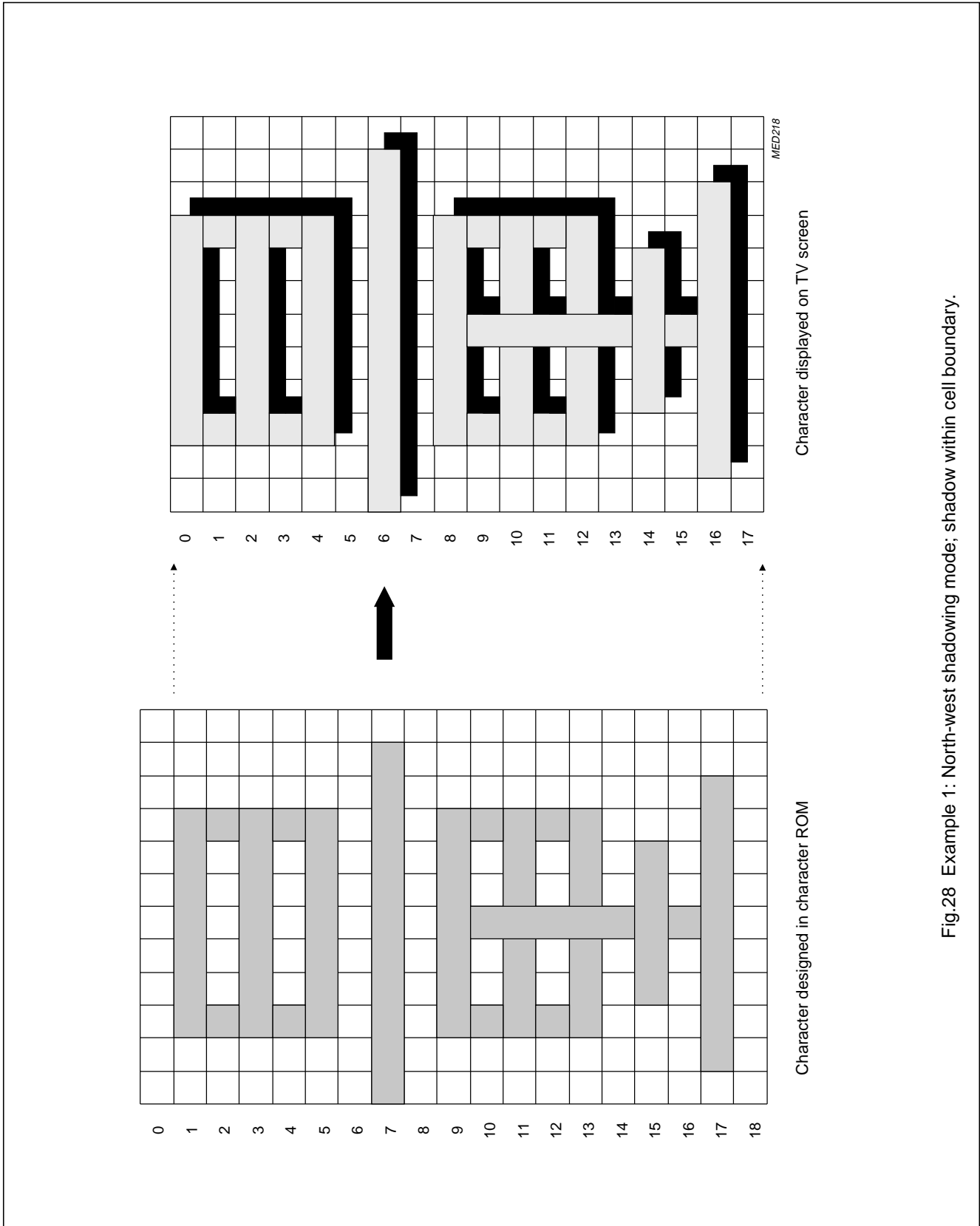


Fig.28 Example 1: North-west shadowing mode; shadow within cell boundary.

Microcontrollers for TV tuning control and OSD applications

PCA84C646; PCA84C846

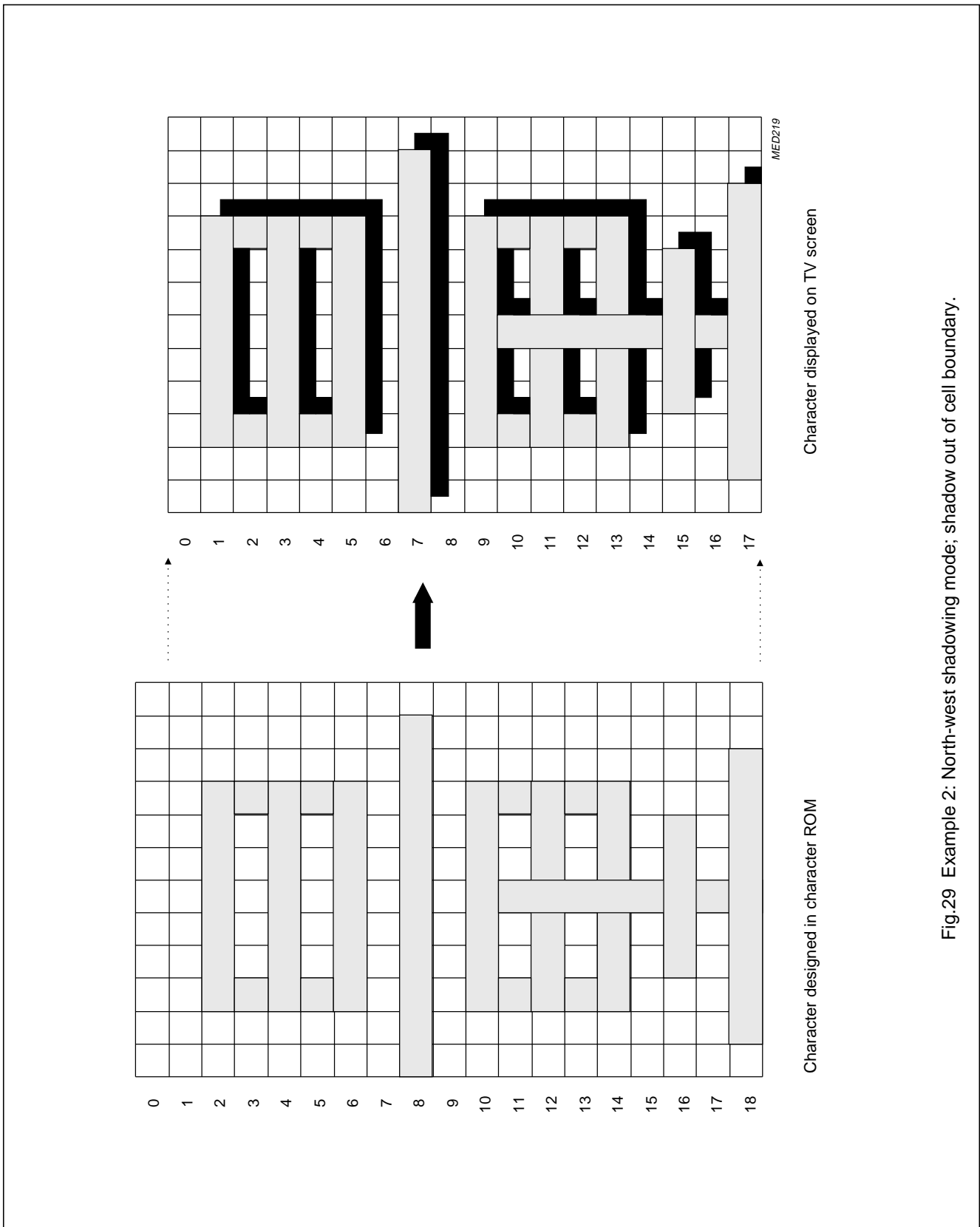
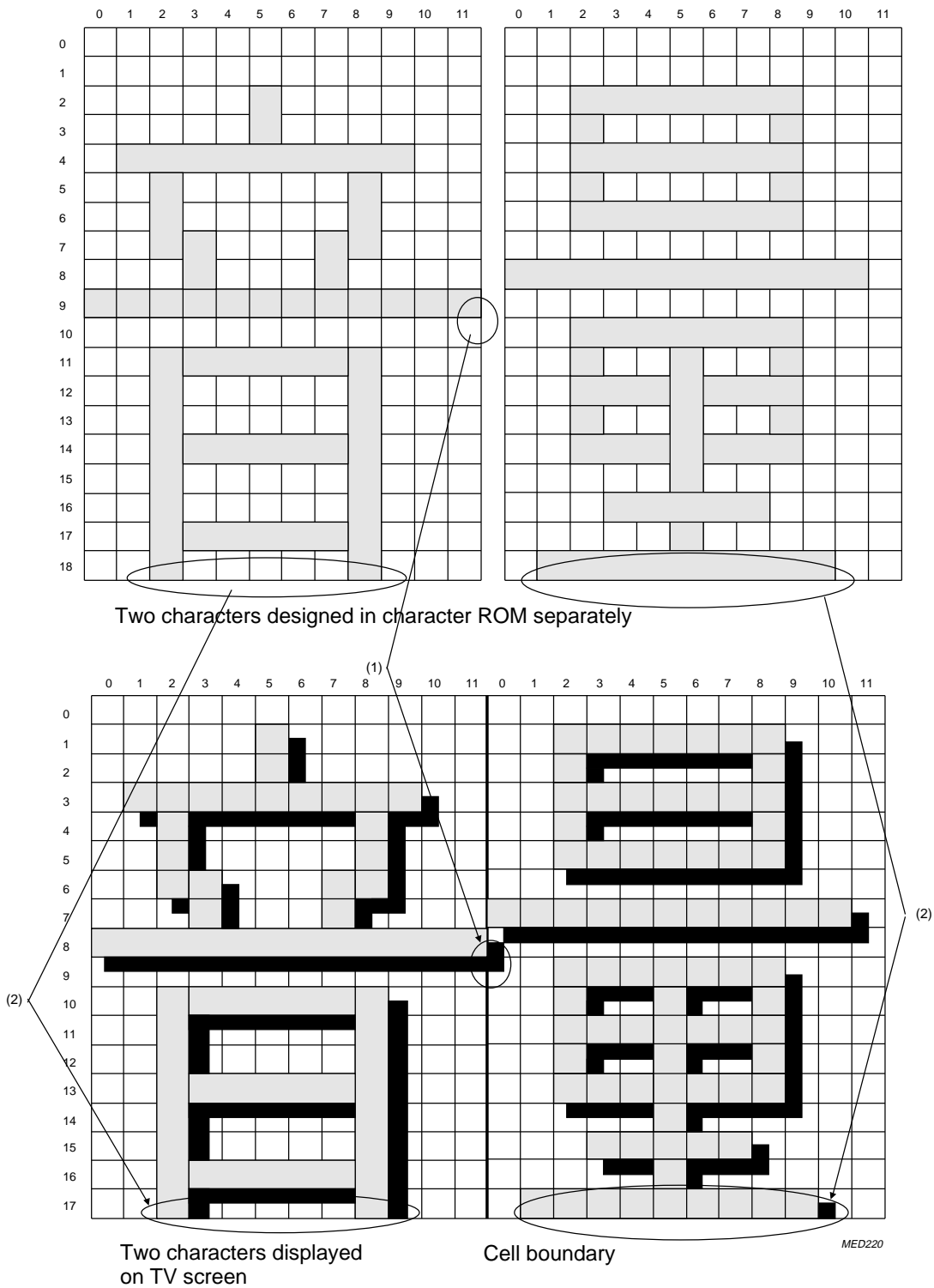


Fig.29 Example 2: North-west shadowing mode; shadow out of cell boundary.

Microcontrollers for TV tuning control and OSD applications

PCA84C646; PCA84C846



(1) Horizontal shadowing overflow into the next character cell.

(2) Vertical shadowing overflow does not show beyond the bottom of a cell.

Fig.30 North-west shadowing.

# Microcontrollers for TV tuning control and OSD applications

## PCA84C646; PCA84C846

### 12.4.1 SPACE CODE AND CARRIAGE RETURN CODE IN DIFFERENT BACKGROUND/SHADOWING MODES

- Mode 0 No background mode. Both the Space Code and the Carriage Return Code are displayed as transparent (no bit) patterns, with the video signal as the background.
- Mode 1 North-west shadowing mode. Similar to Mode 0.
- Mode 2 Box shadowing mode. The Space Code is displayed as a transparent pattern with selected background colour. This will also be the background colour of the character following the Space Code. However, when the Space Code is used as an end bit, it will be displayed as a transparent pattern superimposed on the video. The Carriage Return Code in Mode 2 is also displayed as a transparent pattern superimposed on the video signal.

Mode 3 Frame shadowing mode. The Space Code and Carriage Return code is displayed as a transparent pattern with background colour; see Table 39.

Space Code and Carriage Return Code in the 4 different background/shadowing modes (0 to 3), with:

- Blinking OFF are shown in Figs 31, 32, 33 and 34.
- Blinking ON are shown in Figs 36, 37, 38 and 39.

Figure 39 shows blinking of a character only within the 12 × 18 cell boundary. If the shadow of the blinking character crosses over the boundary of the cell of the character next to the one that is not blinking, the shadow dot will still appear on the screen regardless whether the blinking character is ON or OFF.

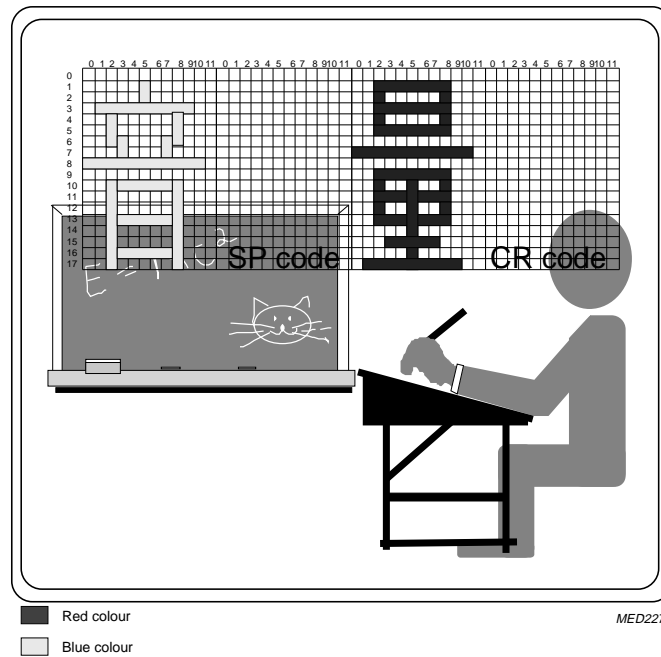


Fig.31 SP and CR codes in Mode 0: No background mode (superimpose; transparent pattern).



# Microcontrollers for TV tuning control and OSD applications

PCA84C646; PCA84C846

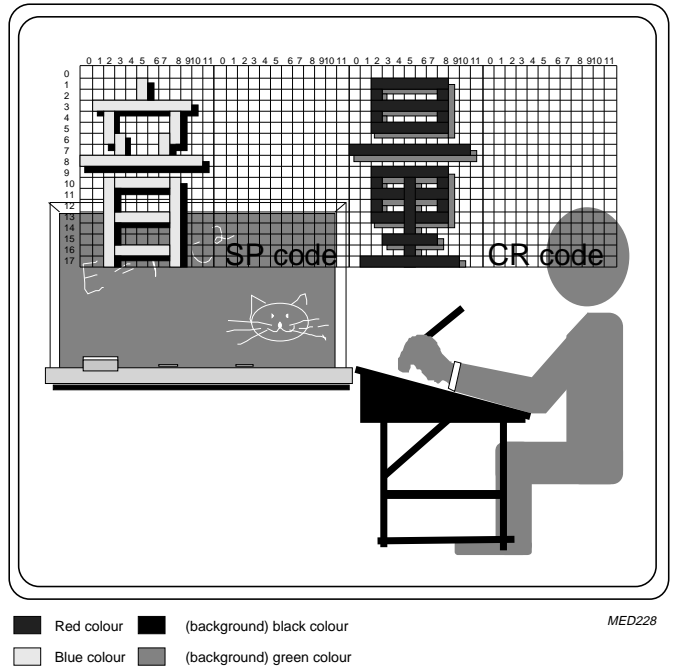
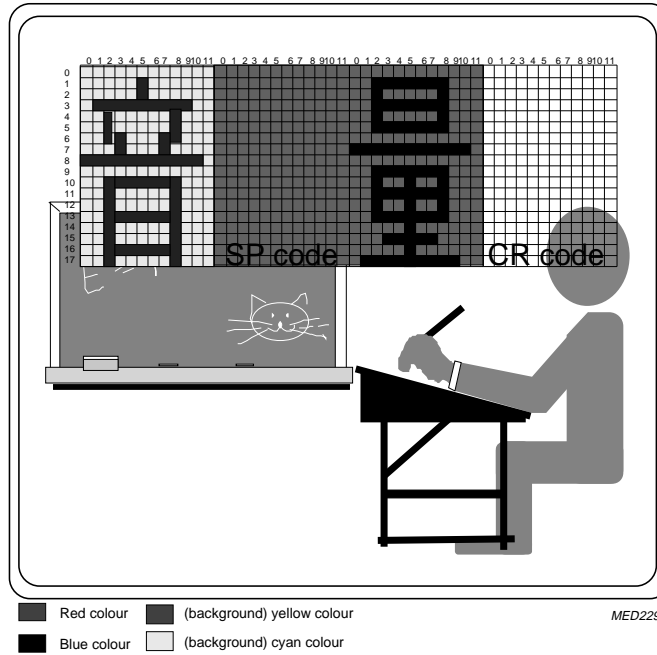


Fig.32 SP and CR codes in Mode 1: North-west shadowing mode (transparent pattern).

Microcontrollers for TV tuning control and OSD applications

PCA84C646; PCA84C846

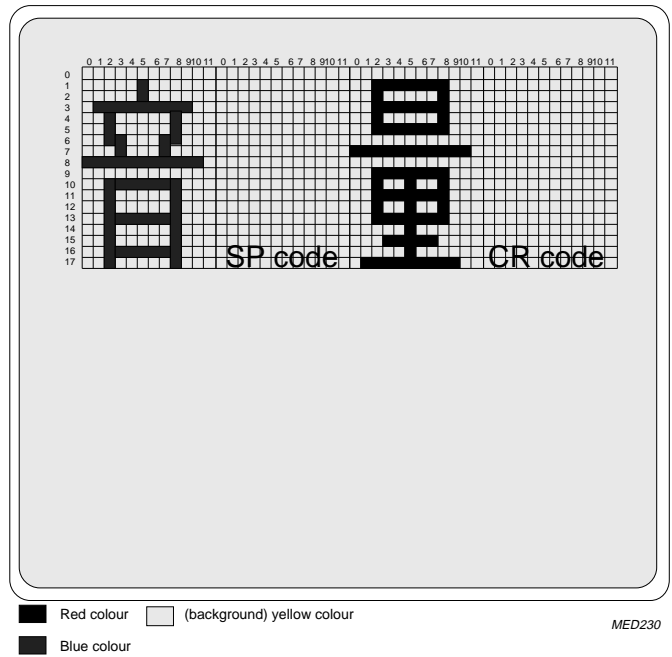


SP code is a transparent pattern with the background colour of the character it intends to change or keep.  
 CR code is always a transparent pattern with the video signal as its background.  
 SP code can change the background colour of itself and the character/word next to it (in this example: from cyan to yellow).

Fig.33 SP and CR codes in Mode 2: Box shadowing mode.

# Microcontrollers for TV tuning control and OSD applications

PCA84C646; PCA84C846



SP and CR codes are all transparent pattern with the background colour as its colour.

Fig.34 SP and CR codes in Mode 3: Frame shadowing mode.

# Microcontrollers for TV tuning control and OSD applications

PCA84C646; PCA84C846

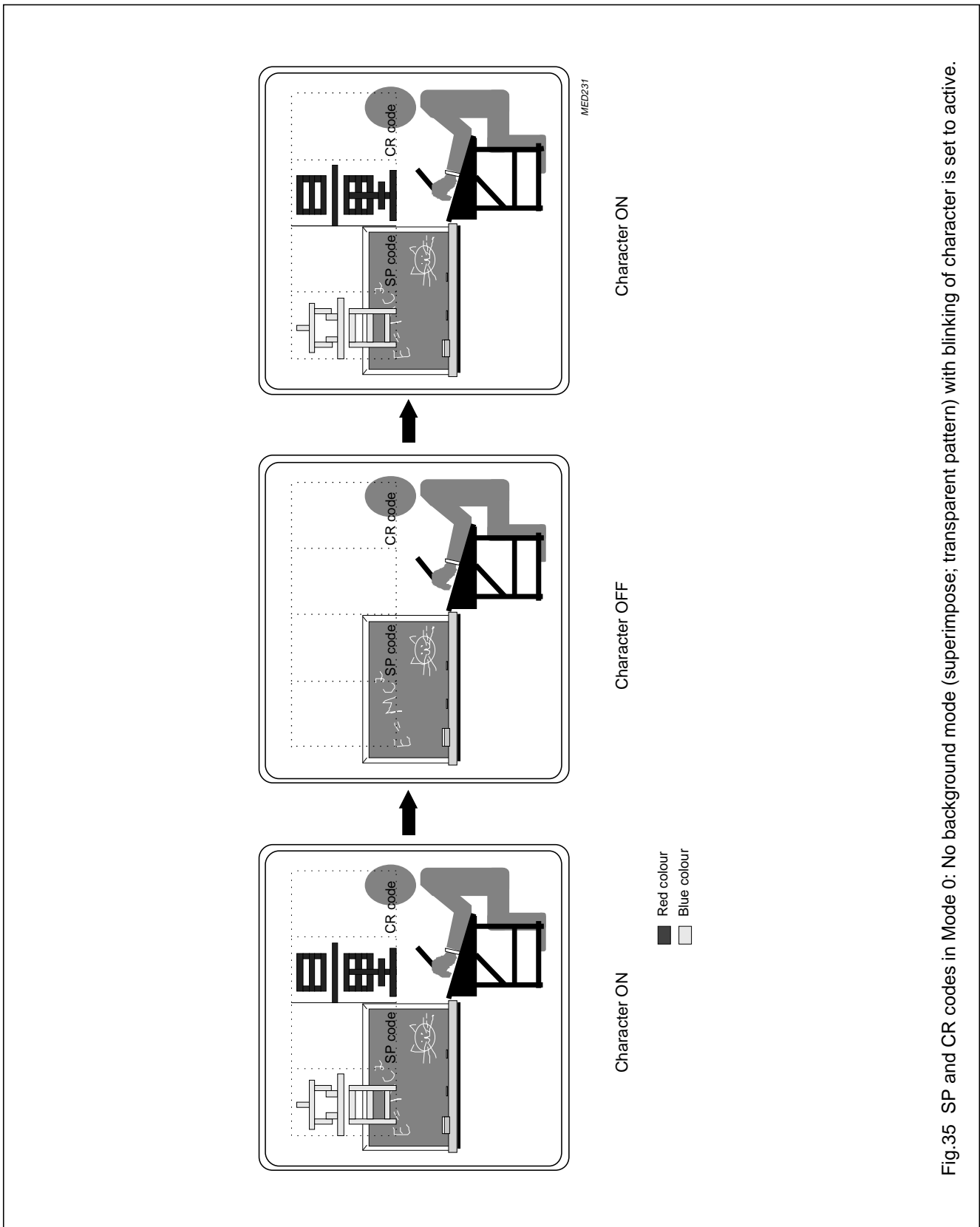


Fig.35 SP and CR codes in Mode 0: No background mode (superimpose; transparent pattern) with blinking of character is set to active.

# Microcontrollers for TV tuning control and OSD applications

PCA84C646; PCA84C846

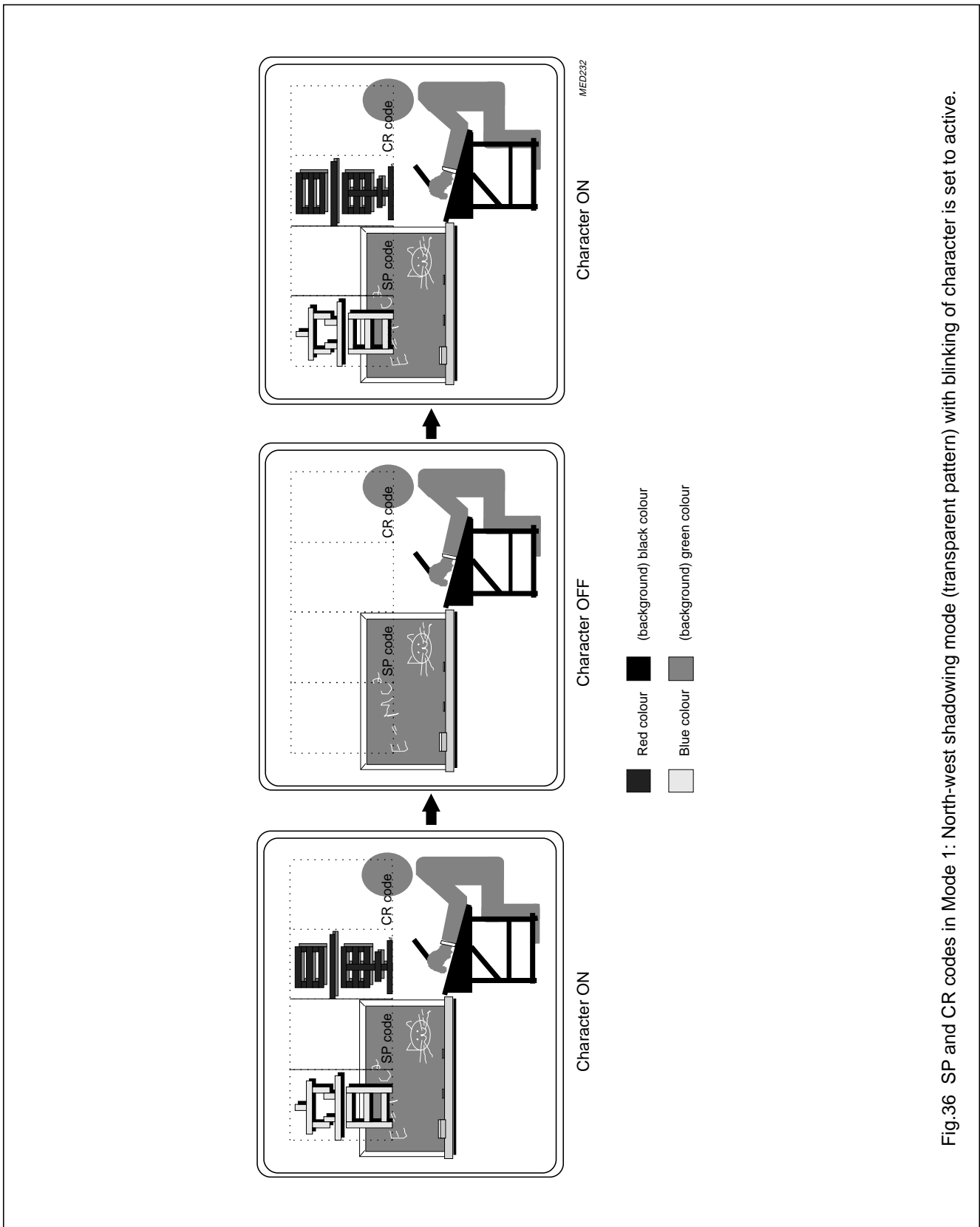


Fig.36 SP and CR codes in Mode 1: North-west shadowing mode (transparent pattern) with blinking of character is set to active.

# Microcontrollers for TV tuning control and OSD applications

PCA84C646; PCA84C846

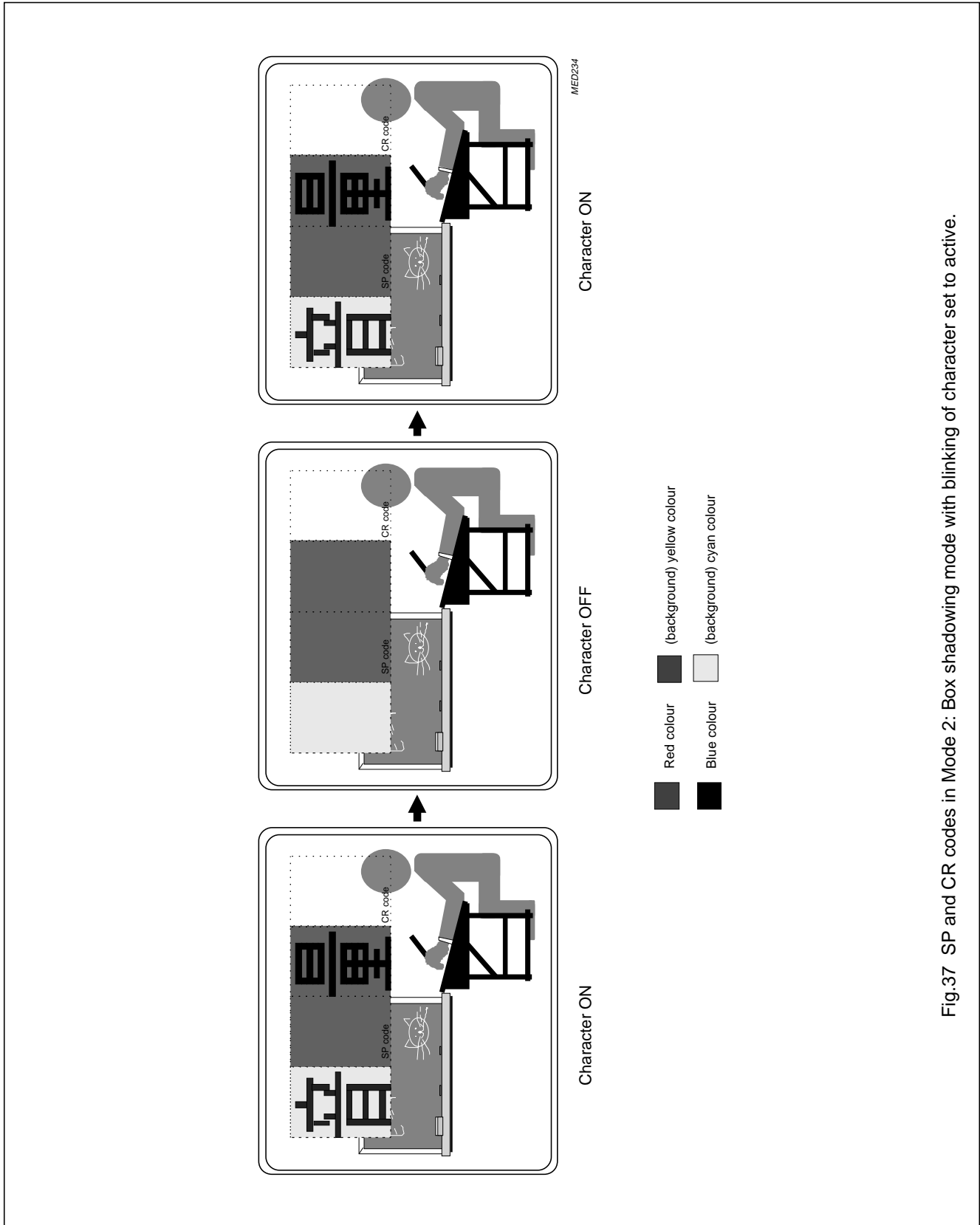


Fig.37 SP and CR codes in Mode 2: Box shadowing mode with blinking of character set to active.

Microcontrollers for TV tuning control and OSD applications

PCA84C646; PCA84C846

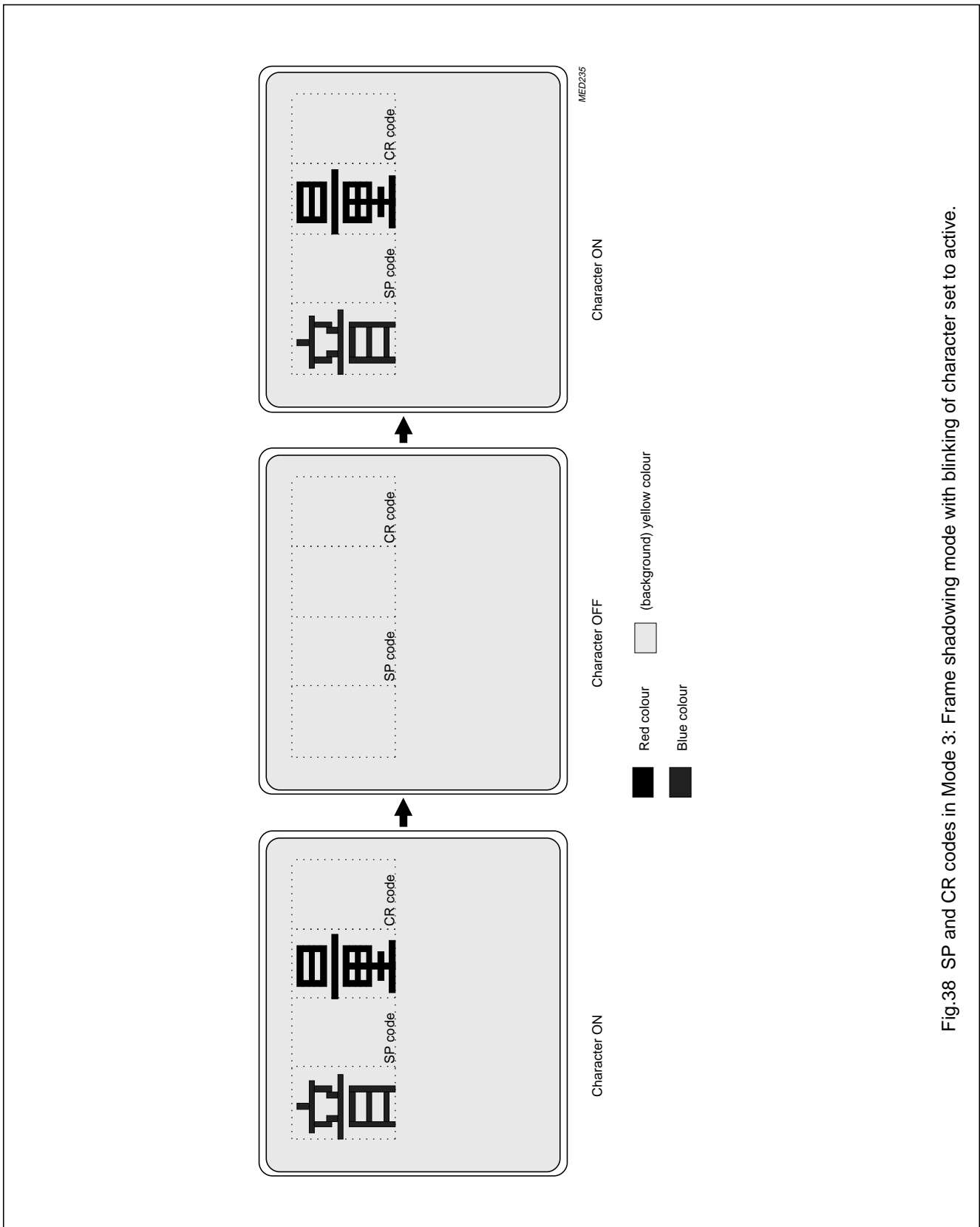


Fig.38 SP and CR codes in Mode 3: Frame shadowing mode with blinking of character set to active.

Microcontrollers for TV tuning control and OSD applications

PCA84C646; PCA84C846

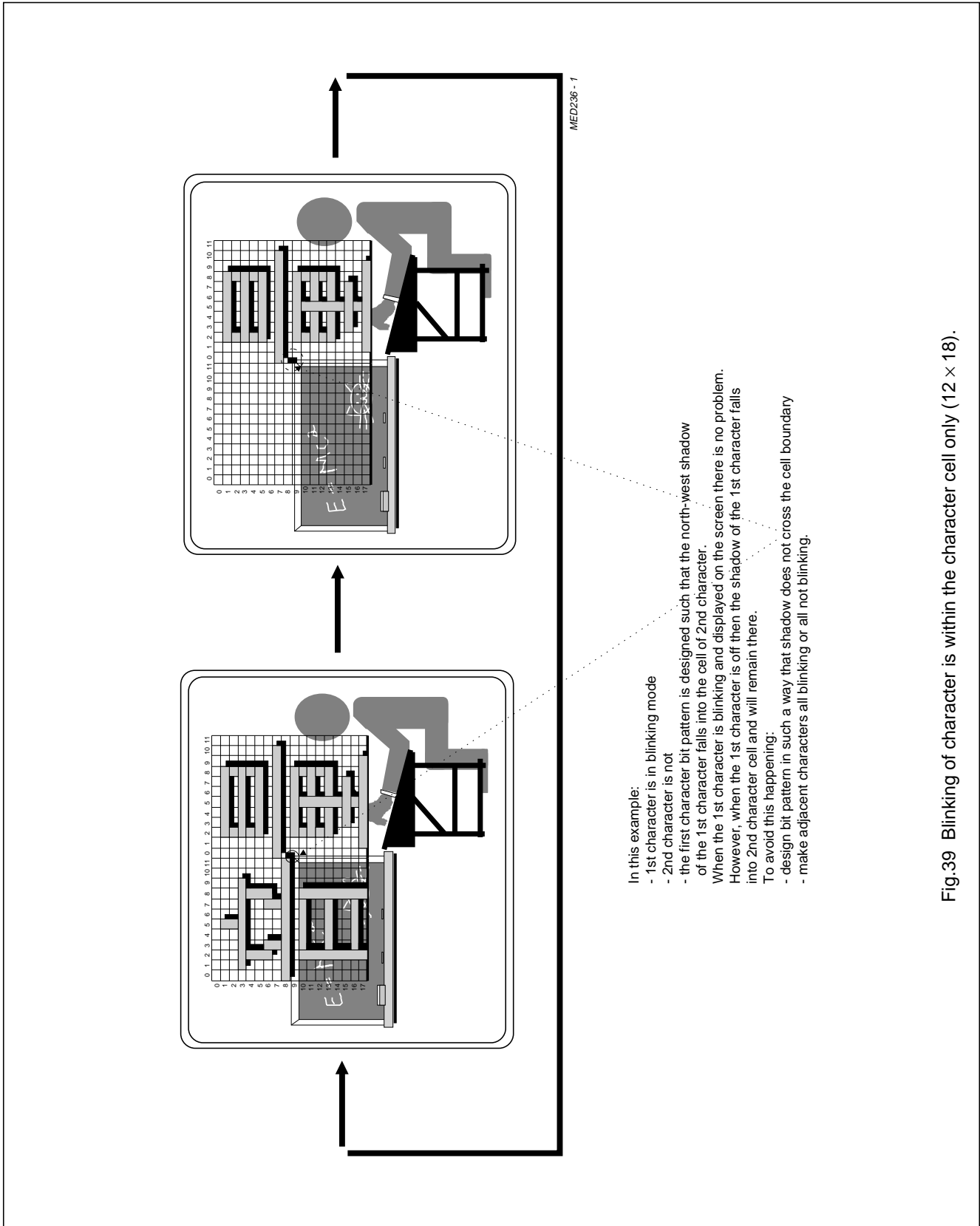


Fig.39 Blinking of character is within the character cell only (12 × 18).



Microcontrollers for TV tuning control and OSD applications

PCA84C646; PCA84C846

12.5 Derivative Register 35 (VPOS)

Derivative Register 35 selects the vertical starting position of the display row.

Table 33 Derivative Register 35 (address 35H)

|          |          |          |          |          |          |          |          |
|----------|----------|----------|----------|----------|----------|----------|----------|
| <b>7</b> | <b>6</b> | <b>5</b> | <b>4</b> | <b>3</b> | <b>2</b> | <b>1</b> | <b>0</b> |
| –        | –        | V5       | V4       | V3       | V2       | V1       | V0       |

Table 34 Description of Derivative Register 35 bits

| BIT    | SYMBOL | DESCRIPTION   |
|--------|--------|---|
| 7 to 6 | –      | Reserved.   |
| 5      | V5     | These 6 bits enable 1 of 64 vertical start positions to be selected for the display row. The vertical starting position is calculated as follows:<br>$VP = [4 \times (V5 \text{ to } V0)] \times \text{horizontal scan lines}$<br>Where (V5 to V0) is the decimal value of the contents of Register 35; (V5 to V0) ≥ 0. |
| 4      | V4     |   |
| 3      | V3     |   |
| 2      | V2     |   |
| 1      | V1     |   |
| 0      | V0     |   |

12.6 Derivative Register 36 (HPOS)

Derivative Register 36 selects the horizontal starting position of the display row.

Table 35 Derivative Register 36 (address 36H)

|          |          |          |          |          |          |          |          |
|----------|----------|----------|----------|----------|----------|----------|----------|
| <b>7</b> | <b>6</b> | <b>5</b> | <b>4</b> | <b>3</b> | <b>2</b> | <b>1</b> | <b>0</b> |
| –        | –        | H5       | H4       | H3       | H2       | H1       | H0       |

Table 36 Description of Derivative Register 36 bits

| BIT    | SYMBOL | DESCRIPTION  |
|--------|--------|--|
| 7 to 6 | –      | Reserved.  |
| 5      | H5     | These 6 bits enable 1 of 64 horizontal start positions to be selected for the display row. The horizontal starting position is calculated as follows:<br>$HP = [4 \times (H5 \text{ to } H0) + 5] \times \text{OSD clock cycle}$<br>Where (H5 to H0) is the decimal value of the contents of Register 36; (H5 to H0) ≥ 10. |
| 4      | H4     |  |
| 3      | H3     |  |
| 2      | H2     |  |
| 1      | H1     |  |
| 0      | H0     |  |

## Microcontrollers for TV tuning control and OSD applications

PCA84C646; PCA84C846

### 12.7 Derivative Register 37 (BCC)

Derivative Register 37 selects the background colour when the OSD is in Frame shadowing mode.

**Table 37** Derivative Register 37

| 7 | 6 | 5 | 4 | 3 | 2   | 1   | 0   |
|---|---|---|---|---|-----|-----|-----|
| – | – | – | – | – | BCR | BCG | BCB |

**Table 38** Description of Derivative Register 37 bits

| BIT    | SYMBOL | DESCRIPTION  |
|--------|--------|--|
| 7 to 3 | –      | Reserved.  |
| 2      | BCR    | These three bits are used to select the background colour in Frame shadowing mode; see Table 39. |
| 1      | BCG    |  |
| 0      | BCB    |  |

**Table 39** Selection of Background colour in Frame shadowing mode

| BCR<br>(RED) | BCG<br>(GREEN) | BCB<br>(BLUE) | COLOUR  |
|--------------|----------------|---------------|---------|
| 0            | 0              | 0             | black   |
| 0            | 0              | 1             | blue    |
| 0            | 1              | 0             | green   |
| 0            | 1              | 1             | cyan    |
| 1            | 0              | 0             | red     |
| 1            | 0              | 1             | magenta |
| 1            | 1              | 0             | yellow  |
| 1            | 1              | 1             | white   |

Microcontrollers for TV tuning  
control and OSD applications

PCA84C646; PCA84C846

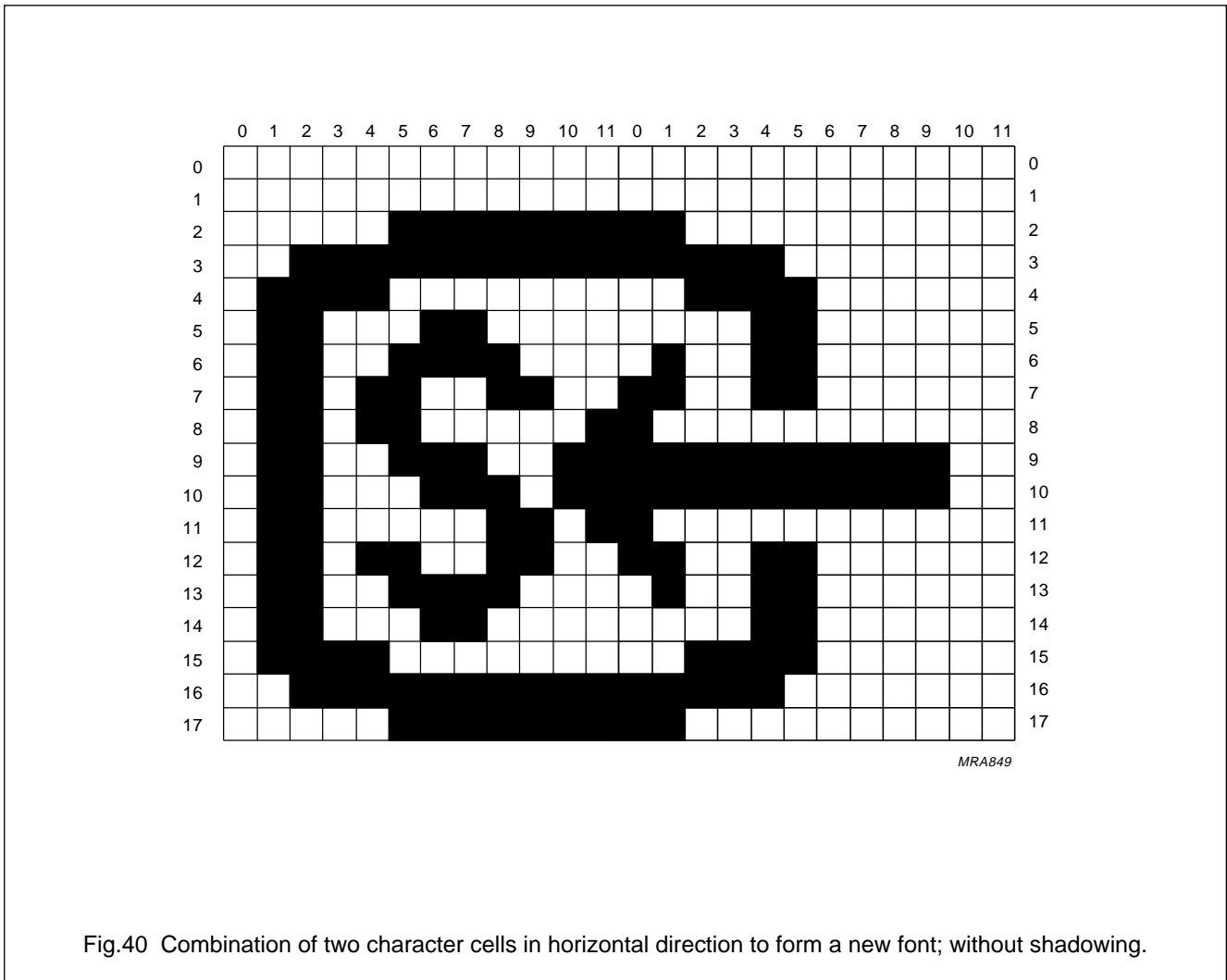
**13 COMBINATION OF TWO OR MORE FONT CELLS  
TO FORM A NEW FONT**

The user can combine two (or more) font cells to form a new higher resolution pattern; see Figs 40, 41, 42 and 43.

Combination of two cells in horizontal direction needs no special care. All 4 background/shadowing modes are applicable; see Figs 40 and 41.

However the combination of two cells in a vertical direction needs the following special care:

- Space between two rows should be programmed as '0' (bit <1-0> of Carriage Return Code = 00).
- Row 0 in the character ROM is to be used in the North-west shadowing mode. If this mode is intended for use by this formed character font, the ROW 0 should contain the bit pattern of Row 18 of the font above it (see Figs 42 and 43).



Microcontrollers for TV tuning control and OSD applications

PCA84C646; PCA84C846

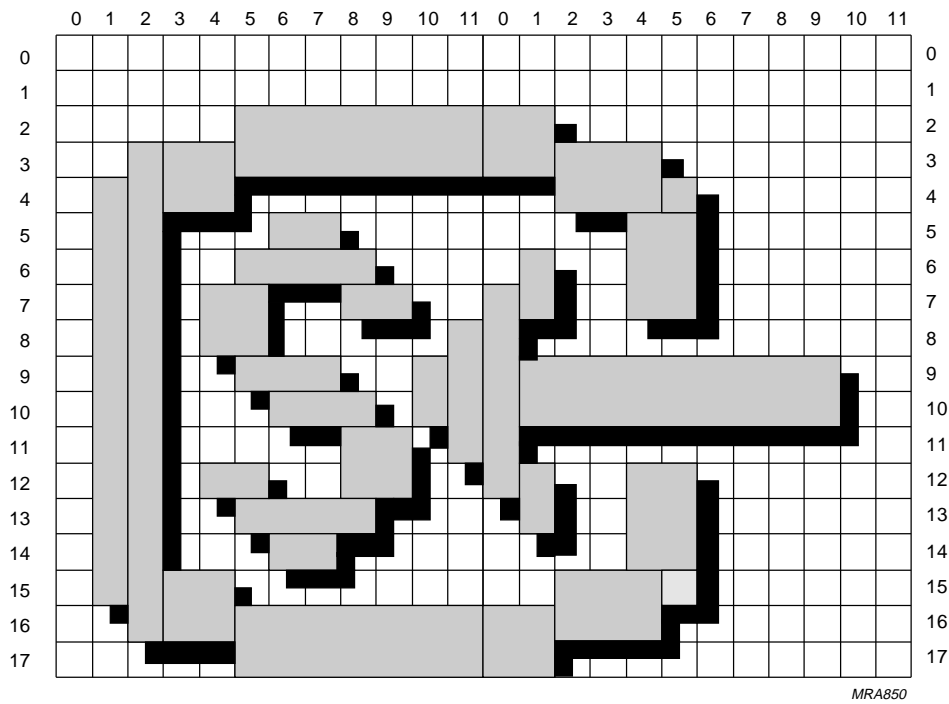
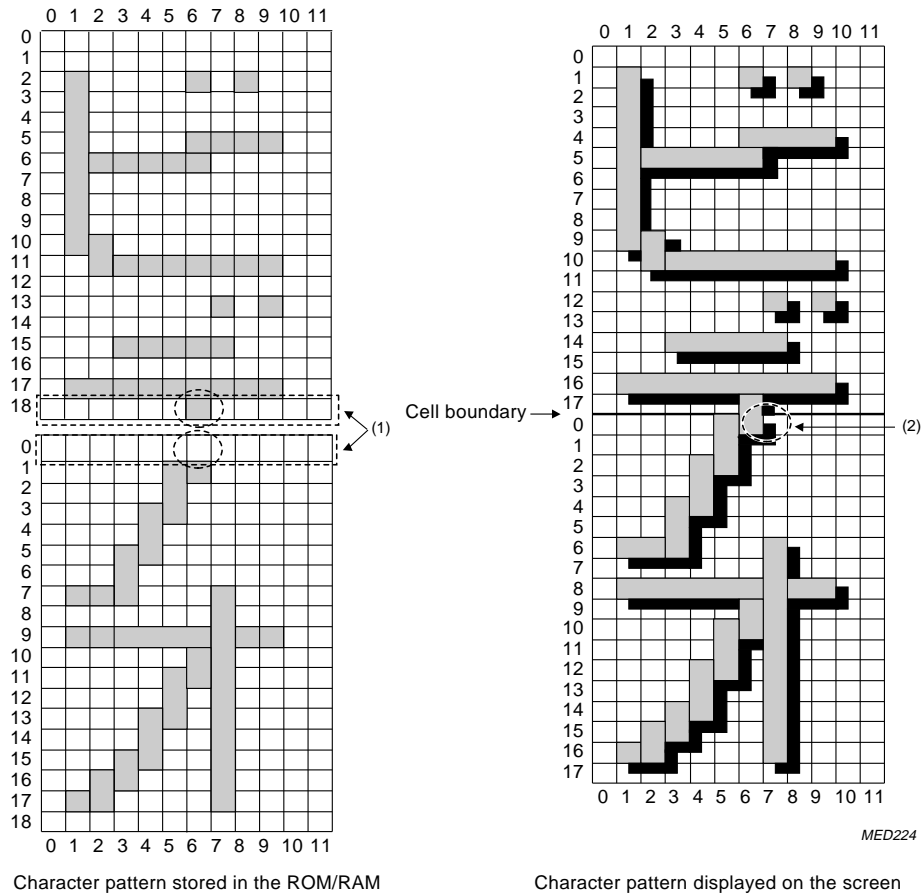


Fig.41 Combination of two character cells in horizontal direction to form a new font; with North-west shadowing.

# Microcontrollers for TV tuning control and OSD applications

## PCA84C646; PCA84C846

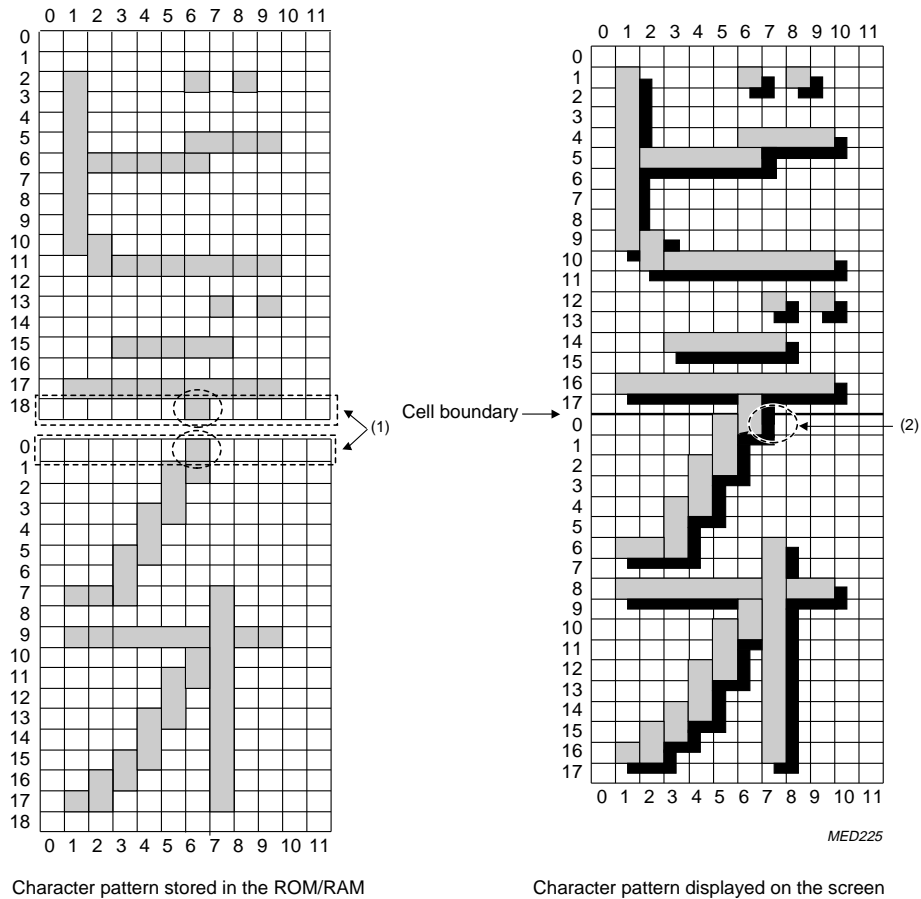


- (1) The bit pattern of Row 18 of the upper character is not equal to that of Row 0 of the lower character.
- (2) Due to the situation of (1), in the North-west shadowing mode a gap in the shadow might occur.

Fig.42 Combination of two characters in vertical direction to form a new pattern; contents Row 18 (upper cell) not equal to contents of Row 1(lower cell).

Microcontrollers for TV tuning control and OSD applications

PCA84C646; PCA84C846



- (1) The bit pattern of Row 18 of the upper character is equal to that of Row 0 of the lower character.
- (2) Due to the situation of (1), in the North-west shadowing mode a gap in the shadow is avoided.

Fig.43 Combination of two characters in vertical direction to formulate a new pattern; contents Row 18 (upper cell) equal to contents of Row 1(lower cell).

## Microcontrollers for TV tuning control and OSD applications

## PCA84C646; PCA84C846

### 14 OSD CLOCK IN DIFFERENT TV STANDARDS

#### 14.1 Maximum number of characters per row

The number of characters per row is a function of the OSD clock frequency and the TV standard used.

The active video signal period of a horizontal line is  $53.5 \mu\text{s}$  (see Fig.44). However, in order to reduce the jittering of the screen edge, overscan is normally applied by the TV manufacturer and this reduces the visible video signal period to  $\frac{9}{10} \times 53.5 \mu\text{s} = 48.15 \mu\text{s}$ .

The examples given below show how the number of characters per row and the character width may be obtained for the NTSC 525LPF/60 Hz TV standard using different OSD clock frequencies.

##### 14.1.1 EXAMPLE 1

- For the OSD clock frequency  $f_{\text{OSD}} = 6 \text{ MHz}$ ; clock period =  $0.166 \mu\text{s}$ . The number of visible dots on one horizontal line is 290 ( $48.15 \mu\text{s}/0.166 \mu\text{s}$ ).
- Start of the first character dot is roughly 45 dots after HSYNC (see Section 9.2; command B, C, D). Therefore  $290 - 45 = 245$  dots are visible.
- Since each character is composed of  $12 \times 18$  dots, the maximum characters displayed on a row is 20 ( $245/12$ ).
- On a 19" TV screen, the width of a horizontal line is approximately 370 mm and this gives a character width of 18.5 mm ( $370 \text{ mm}/20$ ).

##### 14.1.2 EXAMPLE 2

- For the OSD clock frequency  $f_{\text{OSD}} = 10 \text{ MHz}$ ; clock period =  $0.1 \mu\text{s}$ . The number of visible dots on one horizontal line is 481 ( $48.15 \mu\text{s}/0.1 \mu\text{s}$ ).
- Start of the first character dot is roughly 45 dots after HSYNC (see Section 9.2; command B, C, D). Therefore  $481 - 45 = 436$  dots are visible.
- Since each character is composed of  $12 \times 18$  dots, the maximum characters displayed on a row is 36 ( $436/12$ ).
- On a 19" TV screen, the width of a horizontal line is approximately 370 mm and this gives a character width of 10.3 mm ( $370 \text{ mm}/36$ ).

#### 14.2 Maximum number of rows per frame

The number of rows per frame is a function of the number of active lines per display field and the number of vertical dots in the character matrix (which is 18).

The number of rows per frame (N) is calculated as shown below.

$$N = \frac{\text{number of active lines per field}}{18}$$

The three examples shown below illustrate how the maximum number of rows per frame is obtained for each TV scanning standard.

##### 14.2.1 EXAMPLE 1; NTSC 525LPF/60 Hz

The number of active lines per field for this standard is between 241.5 and 249.5H (see Fig.45). If the value of 241 is used then the maximum number of rows per frame is 13.

##### 14.2.2 EXAMPLE 2; PAL 625LPF/50 Hz

With this standard it is not necessary to divide  $\overline{\text{HSYNC}}$  by two as both the horizontal and vertical frequency are doubled. The maximum number of rows per frame is 15.

Microcontrollers for TV tuning control and OSD applications

PCA84C646; PCA84C846

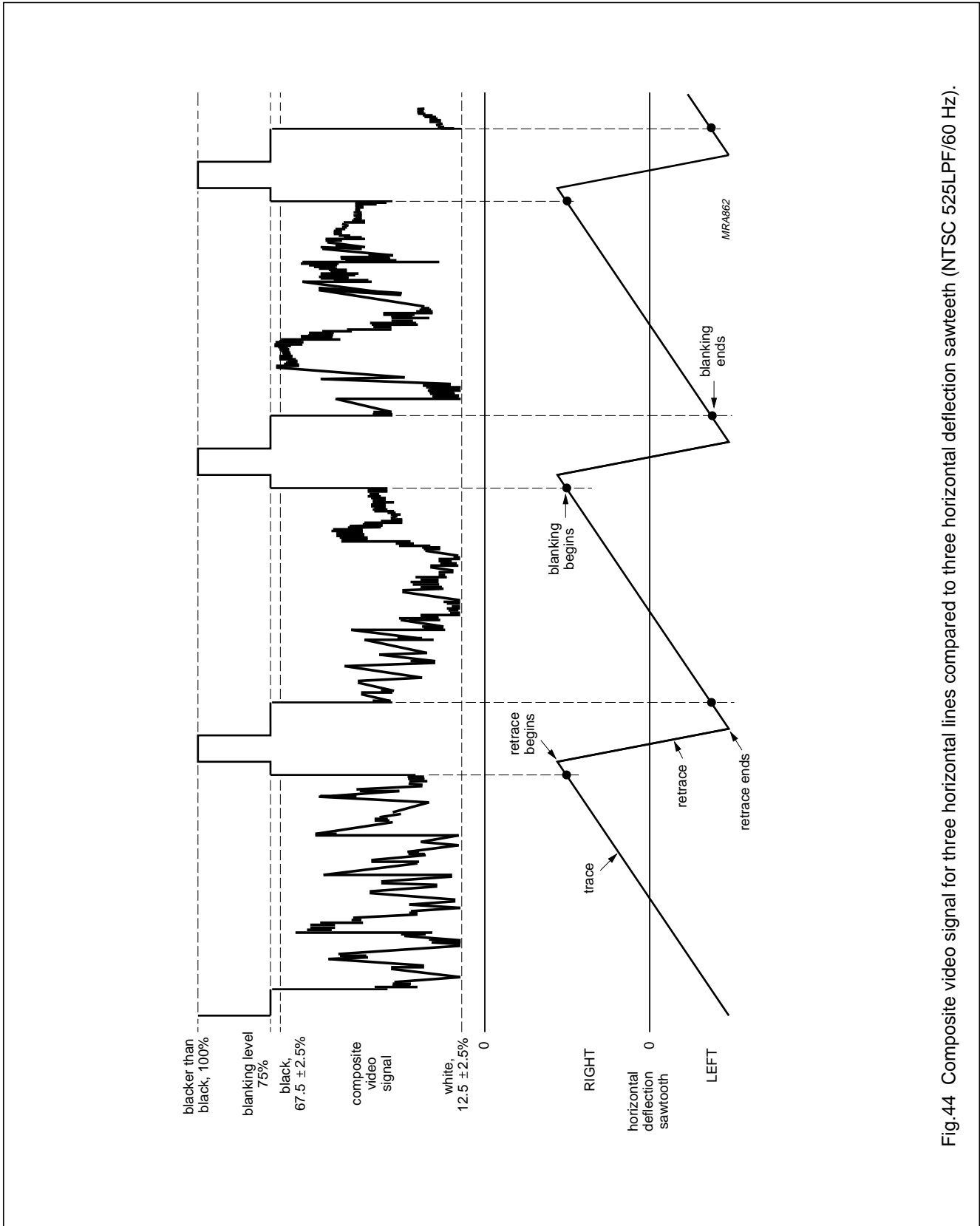


Fig.44 Composite video signal for three horizontal lines compared to three horizontal deflection sawteeth (NTSC 525LPF/60 Hz).



Microcontrollers for TV tuning control and OSD applications

PCA84C646; PCA84C846

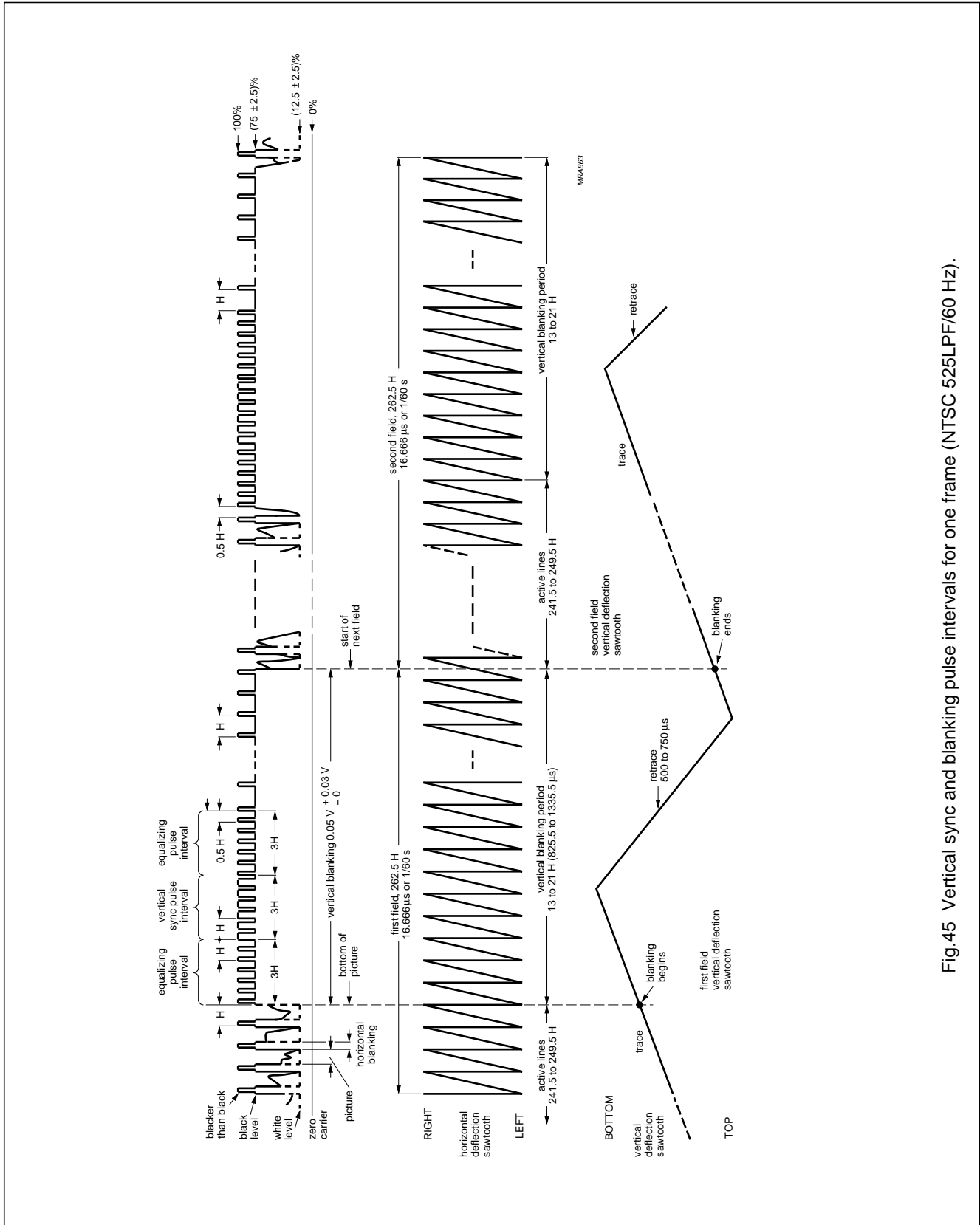


Fig.45 Vertical sync and blanking pulse intervals for one frame (NTSC 525LPF/60 Hz).

## Microcontrollers for TV tuning control and OSD applications

PCA84C646; PCA84C846

### 15 T3: 8-BIT COUNTER

Figure 46 shows the block diagram of the 8-bit counter. A Schmitt-trigger input pin shapes the slow slope of the input signal into a square wave. The rising edge of the signal increases the (ripple) counter by 1.

The data in the counter can be read by instruction 'MOV A, D24H' (Derivative Register 24). As soon as data is read, this counter is reset to **zero**. Overflow or Power-on-reset both reset the counter value to **zero**. Minimum distance between two successive pulses (rising edges) is 30  $\mu$ s.

### 16 I<sup>2</sup>C-BUS MASTER SLAVE TRANSCEIVER

The I<sup>2</sup>C-bus master and slave transceiver is integrated. In control register CON1 (Derivative Register 22) bits SCLE and SDAE select the function of pins DP20/SDA and DP21/SCL (for selection see Table 23); SDA = I<sup>2</sup>C-bus data and SCL = clock line. Both pins are only available in port option 2 (see Fig.48).

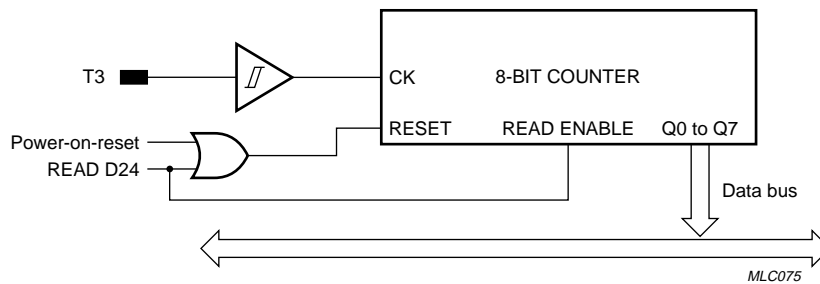


Fig.46 T3: 8-bit counter block diagram.

# Microcontrollers for TV tuning control and OSD applications

## PCA84C646; PCA84C846

### 17 DERIVATIVE REGISTERS

**Table 40** Register map PCA84C646/PCA84C846

Values within parenthesis show the bit state after a reset operation; 'X' denotes an undefined state.

| ADDR (HEX) | REG                | 7            | 6            | 5            | 4            | 3            | 2             | 1            | 0                          | R/W |
|------------|--------------------|--------------|--------------|--------------|--------------|--------------|---------------|--------------|----------------------------|-----|
| 00         | DP0R<br>(Terminal) | DP07<br>(X)  | DP06<br>(X)  | DP05<br>(X)  | DP04<br>(X)  | DP03<br>(X)  | DP02<br>(X)   | DP01<br>(X)  | DP00<br>(X)                | R   |
| 01         | DP1R<br>(Terminal) | –<br>(X)     | –<br>(X)     | –<br>(X)     | –<br>(X)     | DP13<br>(X)  | DP12<br>(X)   | DP11<br>(X)  | DP10<br>(X)                | R   |
| 02         | DP2R<br>(Terminal) | –<br>(X)     | –<br>(X)     | –<br>(X)     | –<br>(X)     | DP23<br>(X)  | DP22<br>(X)   | DP21<br>(X)  | DP20<br>(X)                | R   |
| 03         | DP0R<br>(Latch)    | DP07<br>(1)  | DP06<br>(1)  | DP05<br>(1)  | DP04<br>(1)  | DP03<br>(1)  | DP02<br>(1)   | DP01<br>(1)  | DP00<br>(1)                | RW  |
| 04         | DP1R<br>(Latch)    | –<br>(X)     | –<br>(X)     | –<br>(X)     | –<br>(X)     | DP13<br>(1)  | DP12<br>(1)   | DP11<br>(1)  | DP10<br>(1)                | RW  |
| 05         | DP2R<br>(Latch)    | –<br>(X)     | –<br>(X)     | –<br>(X)     | –<br>(X)     | DP23<br>(1)  | DP22<br>(1)   | DP21<br>(1)  | DP20<br>(1)                | RW  |
| 10         | PWM0               | –<br>(X)     | PWM06<br>(0) | PWM05<br>(0) | PWM04<br>(0) | PWM03<br>(0) | PWM02<br>(0)  | PWM01<br>(0) | PWM00<br>(0)               | RW  |
| 11         | PWM1               | –<br>(X)     | PWM16<br>(0) | PWM15<br>(0) | PWM14<br>(0) | PWM13<br>(0) | PWM12<br>(0)  | PWM11<br>(0) | PWM10<br>(0)               | RW  |
| 12         | PWM2               | –<br>(X)     | PWM26<br>(0) | PWM25<br>(0) | PWM24<br>(0) | PWM23<br>(0) | PWM22<br>(0)  | PWM21<br>(0) | PWM20<br>(0)               | RW  |
| 13         | PWM3               | –<br>(X)     | PWM36<br>(0) | PWM35<br>(0) | PWM34<br>(0) | PWM33<br>(0) | PWM32<br>(0)  | PWM31<br>(0) | PWM30<br>(0)               | RW  |
| 14         | PWM4               | –<br>(X)     | –<br>(X)     | PWM45<br>(0) | PWM44<br>(0) | PWM43<br>(0) | PWM42<br>(0)  | PWM41<br>(0) | PWM40<br>(0)               | RW  |
| 15         | PWM5               | –<br>(X)     | –<br>(X)     | PWM55<br>(0) | PWM54<br>(0) | PWM53<br>(0) | PWM52<br>(0)  | PWM51<br>(0) | PWM50<br>(0)               | RW  |
| 16         | PWM6               | –<br>(X)     | –<br>(X)     | PWM65<br>(0) | PWM64<br>(0) | PWM63<br>(0) | PWM62<br>(0)  | PWM61<br>(0) | PWM60<br>(0)               | RW  |
| 17         | PWM7               | –<br>(X)     | –<br>(X)     | PWM75<br>(0) | PWM74<br>(0) | PWM73<br>(0) | PWM72<br>(0)  | PWM71<br>(0) | PWM70<br>(0)               | RW  |
| 18         | VSTL               | –<br>(X)     | VST06<br>(0) | VST05<br>(0) | VST04<br>(0) | VST03<br>(0) | VST02<br>(0)  | VST01<br>(0) | VST00<br>(0)               | RW  |
| 19         | VSTH               | –<br>(X)     | VST13<br>(0) | VST12<br>(0) | VST11<br>(0) | VST10<br>(0) | VST09<br>(0)  | VST08<br>(0) | VST07<br>(0)               | RW  |
| 20         | AFCCN              | –<br>(X)     | AFCH1<br>(0) | AFCH0<br>(0) | AFCV3<br>(0) | AFCV2<br>(0) | AFCV1<br>(0)  | AFCV0<br>(0) | AFCC <sup>(1)</sup><br>(X) | RW  |
| 21         | PWME               | PWM7E<br>(0) | PWM6E<br>(0) | PWM5E<br>(0) | PWM4E<br>(0) | PWM3E<br>(0) | PWM2E<br>(0)  | PWM1E<br>(0) | PWM0E<br>(0)               | RW  |
| 22         | CON1               | TDACE<br>(0) | SCLE<br>(0)  | SDAE<br>(0)  | AFCE2<br>(0) | AFCE1<br>(0) | AFCE0<br>(0)  | VOW1E<br>(0) | VOW0E<br>(0)               | RW  |
| 23         | CON2               | VINT<br>(0)  | VIEN<br>(0)  | –<br>(X)     | –<br>(X)     | –<br>(X)     | P14LVL<br>(0) | P7LVL<br>(0) | P6LVL<br>(0)               | RW  |

## Microcontrollers for TV tuning control and OSD applications

## PCA84C646; PCA84C846

| ADDR<br>(HEX) | REG   | 7           | 6           | 5            | 4            | 3            | 2            | 1            | 0            | R/W |
|---------------|-------|-------------|-------------|--------------|--------------|--------------|--------------|--------------|--------------|-----|
| 24            | T3CON | T3B7<br>(0) | T3B6<br>(0) | T3B5<br>(0)  | T3B4<br>(0)  | T3B3<br>(0)  | T3B2<br>(0)  | T3B1<br>(0)  | T3B0<br>(0)  | R   |
| 25            | PLLCN | –<br>(X)    | PLL6<br>(0) | PLL5<br>(0)  | PLL4<br>(0)  | PLL3<br>(0)  | PLL2<br>(0)  | PLL1<br>(0)  | PLL0<br>(0)  | RW  |
| 30            | DCRAR | –<br>(X)    | –<br>(X)    | DCRA5<br>(0) | DCRA4<br>(0) | DCRA3<br>(0) | DCRA2<br>(0) | DCRA1<br>(0) | DCRA0<br>(0) | RW  |
| 31            | DCRTR | –<br>(X)    | –<br>(X)    | –<br>(X)     | –<br>(X)     | DCRT3<br>(1) | DCRT2<br>(1) | DCRT1<br>(1) | DCRT0<br>(1) | W   |
| 32            | DCRCR | –<br>(X)    | –<br>(X)    | DCRC5<br>(1) | DCRC4<br>(1) | DCRC3<br>(1) | DCRC2<br>(1) | DCRC1<br>(1) | DCRC0<br>(1) | W   |
| 33            | CON3  | –<br>(X)    | –<br>(X)    | –<br>(X)     | –<br>(X)     | BR1<br>(0)   | BR0<br>(0)   | BF1<br>(1)   | BF0<br>(1)   | RW  |
| 34            | CON4  | –<br>(X)    | –<br>(X)    | S1<br>(0)    | S0<br>(0)    | Hp<br>(0)    | Vp<br>(0)    | Bp<br>(1)    | EN<br>(0)    | RW  |
| 35            | VPOS  | –<br>(X)    | –<br>(X)    | V5<br>(1)    | V4<br>(1)    | V3<br>(1)    | V2<br>(1)    | V1<br>(1)    | V0<br>(1)    | W   |
| 36            | HPOS  | –<br>(X)    | –<br>(X)    | H5<br>(0)    | H4<br>(0)    | H3<br>(0)    | H2<br>(0)    | H1<br>(0)    | H0<br>(0)    | W   |
| 37            | BCC   | –<br>(X)    | –<br>(X)    | –<br>(X)     | –<br>(X)     | –<br>(X)     | BCR<br>(0)   | BCG<br>(0)   | BCB<br>(1)   | W   |

### Note

1. This bit is Read only.

# Microcontrollers for TV tuning control and OSD applications

## PCA84C646; PCA84C846

### 18 INPUT/OUTPUT

There are 3 different port options available for the port pins in the 84CXXX derivatives (see Figs 47, 48 and 49).

Each I/O port line may be individually configured using one of three mask options. The three I/O mask options are specified below:

- Option 1 Standard input/output with switched pull-up current source; this is shown in Fig.47.
- Option 1 Input/output with Open drain output; this is shown in Fig.48.
- Option 2 Push-pull output; this is shown in Fig.49.

The state of each output port after a Power-on-reset can also be selected using the mask options. All port mask options are given in Section 19.1.

The output stage consists of 4 transistors:

- TR1: N - channel transistor for 'sink'
- TR2: P - channel transistor for 'boost-up'
- TR3: P - channel transistor for 'pull-up'
- TR4: P - channel transistor for 'constant current'.

See Tables 41 and 42 for possible port option list.

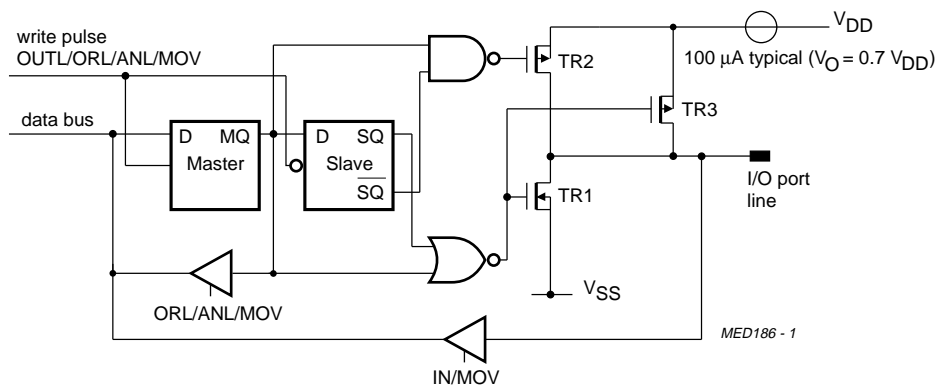


Fig.47 Standard output with switched pull-up current source (Option 1).

Microcontrollers for TV tuning control and OSD applications

PCA84C646; PCA84C846

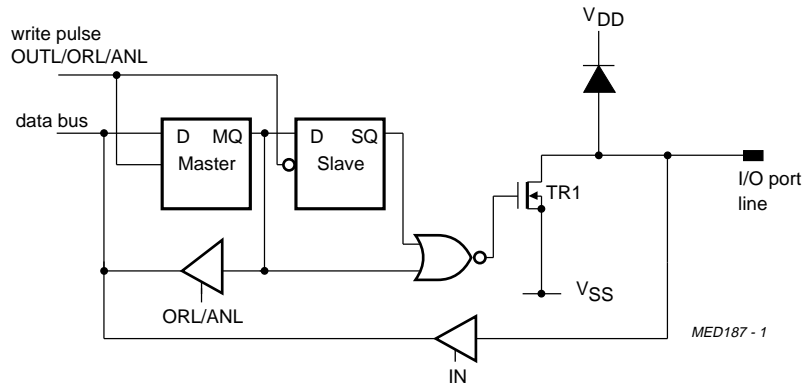


Fig.48 Open drain output (Option 2).

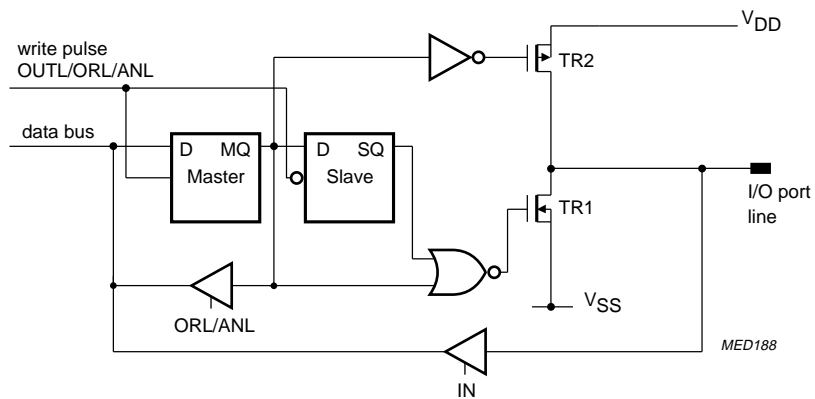


Fig.49 Push-pull output (Option 3).

## Microcontrollers for TV tuning control and OSD applications

PCA84C646; PCA84C846

### 19 OPTION LISTS

#### 19.1 Port option

For the port options (1, 2 and 3) see Figs 47, 48 and 49.

**Table 41** Port options for making piggyback

Only the port pins whose options are left blank, e.g. DP00, can be user mask programmable.

| PORT | PIN | OPTION | PORT/DPORT       | PIN  | OPTION | DPORT | PIN | OPTION | DPORT | PIN | OPTION |                     |    |   |   |
|------|-----|--------|------------------|------|--------|-------|-----|--------|-------|-----|--------|---------------------|----|---|---|
| P00  | 13  | 1      | S <sup>(1)</sup> | P10  | 7      | 1     | S   | DP00   | 29    |     |        | DP20                | 40 | 2 | S |
| P01  | 14  | 1      | S                | P11  | 8      | 1     | S   | DP01   | 28    |     |        | DP21                | 39 | 2 | S |
| P02  | 15  | 1      | S                | P12  | 10     | 1     | S   | DP02   | 27    |     |        | DP22                | 3  |   |   |
| P03  | 16  | 1      | S                | P14  | 12     | 1     | S   | DP03   | 26    |     |        | DP23                | 4  |   |   |
| P04  | 17  | 1      | S                | DP10 | 38     |       |     | DP04   | 25    |     |        |                     |    |   |   |
| P05  | 18  | 1      | S                | DP11 | 37     |       |     | DP05   | 24    |     |        |                     |    |   |   |
| P06  | 19  | 1      | S                | DP12 | 36     |       |     | DP06   | 23    |     |        | VOB <sup>(2)</sup>  | 1  |   |   |
| P07  | 20  | 1      | S                | DP13 | 9      |       |     | DP07   | 22    |     |        | VOW2 <sup>(2)</sup> | 2  |   |   |

#### Notes

1. S = SET (and R = RESET), initial H or L after power-on reset.
2. Option 2 or 3 only (i.e. output only).

**Table 42** Port options for production

Only the port pins whose options are left blank, e.g. DP00, can be user mask programmable.

| PORT | PIN | OPTION | PORT/DPORT | PIN  | OPTION | DPORT | PIN | OPTION | DPORT | PIN | OPTION |                     |    |   |                  |
|------|-----|--------|------------|------|--------|-------|-----|--------|-------|-----|--------|---------------------|----|---|------------------|
| P00  | 13  |        |            | P10  | 7      |       |     | DP00   | 29    |     |        | DP20                | 40 | 2 | S <sup>(1)</sup> |
| P01  | 14  |        |            | P11  | 8      |       |     | DP01   | 28    |     |        | DP21                | 39 | 2 | S                |
| P02  | 15  |        |            | P12  | 10     |       |     | DP02   | 27    |     |        | DP22                | 3  |   |                  |
| P03  | 16  |        |            | P14  | 12     |       |     | DP03   | 26    |     |        | DP23                | 4  |   |                  |
| P04  | 17  |        |            | DP10 | 38     |       |     | DP04   | 25    |     |        |                     |    |   |                  |
| P05  | 18  |        |            | DP11 | 37     |       |     | DP05   | 24    |     |        |                     |    |   |                  |
| P06  | 19  |        |            | DP12 | 36     |       |     | DP06   | 23    |     |        | VOB <sup>(2)</sup>  | 1  |   |                  |
| P07  | 20  |        |            | DP13 | 9      |       |     | DP07   | 22    |     |        | VOW2 <sup>(2)</sup> | 2  |   |                  |

#### Notes

1. S = SET (and R = RESET), initial H or L after power-on reset.
2. Option 2 or 3 only (i.e. output only).

#### 19.2 On-chip oscillator transconductance

| OPTION              | typ. $g_m$ at 5 V | $f_{osc}$ FOR QUARTZ | $f_{osc}$ FOR PXE |
|---------------------|-------------------|----------------------|-------------------|
| LOW ( $g_{mL}$ )    | 0.4 mS            | 1 to 6 MHz           | not allowed       |
| MEDIUM ( $g_{mM}$ ) | 1.6 mS            | 4 to 10 MHz          | 1 to 6 MHz        |
| HIGH ( $g_{mH}$ )   | 4.5 mS            | not allowed          | 3 to 10 MHz       |

## Microcontrollers for TV tuning control and OSD applications

PCA84C646; PCA84C846

### 20 LIMITING VALUES

In accordance with the Absolute Maximum Rating System (IEC 134)

| SYMBOL    | PARAMETER                                 | MIN. | MAX.           | UNIT |
|-----------|---|------|----------------|------|
| $V_{DD}$  | supply voltage                            | -0.3 | +7             | V    |
| $V_I$     | all input voltages                        | -0.3 | $V_{DD} + 0.3$ | V    |
| $P_{tot}$ | total power dissipation                   | -    | 1              | W    |
| $I_{OH}$  | maximum source current for all port lines | -    | -10            | mA   |
| $I_{OL}$  | maximum sink current for all port lines   | -    | 30             | mA   |
| $T_{stg}$ | storage temperature                       | -55  | +125           | °C   |
| $T_{amb}$ | ambient operating temperature             | -20  | +70            | °C   |

### 21 DC CHARACTERISTICS

 $V_{DD} = 5\text{ V}$ ;  $V_{SS} = 0\text{ V}$ ;  $T_{amb} = -20\text{ to }+70\text{ °C}$ ; all voltages with respect to  $V_{SS}$ ; unless otherwise specified.

| SYMBOL   | PARAMETER                                  | CONDITIONS   | MIN.        | TYP. | MAX.        | UNIT          |
|--|--|--|-------------|------|-------------|---------------|
| $V_{DD}$   | operating supply voltage                   |  | 4.5         | 5.0  | 5.5         | V             |
| $I_{DD}$   | operating supply current                   | $f_{OSD(RC)}, f_{OSD(LC)} = f_{xtal}$                                |             |      |             |               |
|  |  | $f_{xtal} = 10\text{ MHz}$   | -           | 5    | 10          | mA            |
|  |  | $f_{xtal} = 6\text{ MHz}$  | -           | 3.5  | 7           | mA            |
|  |  | $f_{OSD(RC)}, f_{OSD(LC)} = \text{stop}$                             |             |      |             |               |
|  |  | $f_{xtal} = 10\text{ MHz}$   | -           | 3    | 6           | mA            |
|  |  | $f_{xtal} = 6\text{ MHz}$  | -           | 1.5  | 4           | mA            |
| <b>Input Ports P00, P01, DP00, DP01 and DP02</b>   |  |  |             |      |             |               |
| $V_{IL}$   | LOW level input voltage                    | $V_{DD} = 4.5\text{ V to }5.5\text{ V}$                              | 0           | -    | $0.3V_{DD}$ | V             |
| $V_{IH}$   | HIGH level input voltage                   | $V_{DD} = 4.5\text{ V to }5.5\text{ V}$                              | $0.7V_{DD}$ | -    | $V_{DD}$    | V             |
| $I_{LI}$   | input leakage current                      | $V_{DD} = 4.5\text{ V to }5.5\text{ V}$ ;<br>$V_{SS} < V_I < V_{DD}$ | -           | -    | $\pm 10$    | $\mu\text{A}$ |
| <b>Output Port P00</b>                             |  |  |             |      |             |               |
| $V_{OL}$   | LOW level output voltage                   | $I_{OL} = 10\text{ mA}$  | -           | -    | 1.2         | V             |
| $I_{OH}$   | HIGH level pull-up output source current   | $V_O = 0.7V_{DD}$  | -40         | -100 | -           | $\mu\text{A}$ |
|  | HIGH level pull-up output source current   | $V_O = V_{SS}$   | -           | -140 | -400        | $\mu\text{A}$ |
|  | HIGH level push-pull output source current | $V_O = V_{DD} - 0.4\text{ V}$  | -3.0        | -7.0 | -           | mA            |
| <b>DP00/PWM00 to DP07/PWM07 as derivative Port</b> |  |  |             |      |             |               |
| $I_{OL}$   | LOW level output sink current              | $V_{OL} = 0.4\text{ V}$  | 5.0         | 12.0 | -           | mA            |
| $I_{OH}$   | HIGH level pull-up output source current   | $V_O = 0.7V_{DD}$  | -40         | -100 | -           | $\mu\text{A}$ |
|  | HIGH level pull-up output source current   | $V_O = V_{SS}$   | -           | -140 | -400        | $\mu\text{A}$ |
|  | HIGH level push-pull output source current | $V_O = V_{DD} - 0.4\text{ V}$  | -3.0        | -7.0 | -           | mA            |



# Microcontrollers for TV tuning control and OSD applications

## PCA84C646; PCA84C846

| SYMBOL  | PARAMETER                                  | CONDITIONS                    | MIN. | TYP. | MAX. | UNIT          |
|---|--|-------------------------------|------|------|------|---------------|
| <b>DP00/PWM00 to DP07/PWM07 as PWM output Port</b>                  |  |                               |      |      |      |               |
| $I_{OL}$  | LOW level output sink current              | $V_{OL} = 0.4\text{ V}$       | 0.7  | 1.5  | –    | mA            |
| $I_{OH}$  | HIGH level pull-up output source current   | $V_O = 0.7V_{DD}$             | –40  | –100 | –    | $\mu\text{A}$ |
|   | HIGH level pull-up output source current   | $V_O = V_{SS}$                | –    | –140 | –400 | $\mu\text{A}$ |
|   | HIGH level push-pull output source current | $V_O = V_{DD} - 0.4\text{ V}$ | –0.7 | –1.5 | –    | mA            |
| <b>Port P10 to P13 outputs</b>                                      |  |                               |      |      |      |               |
| $I_{OL}$  | LOW level output sink current              | $V_{OL} = 0.4\text{ V}$       | 5.0  | 12.0 | –    | mA            |
| $I_{OH}$  | HIGH level pull-up output source current   | $V_O = 0.7V_{DD}$             | –40  | –100 | –    | $\mu\text{A}$ |
|   | HIGH level pull-up output source current   | $V_O = V_{SS}$                | –    | –140 | –400 | $\mu\text{A}$ |
|   | HIGH level push-pull output source current | $V_O = V_{DD} - 0.4\text{ V}$ | –3.0 | –7.0 | –    | mA            |
| <b>Outputs VOB and VOW2</b>   |  |                               |      |      |      |               |
| $I_{OL}$  | LOW level output sink current              | $V_{OL} = 0.4\text{ V}$       | 1.4  | 3.0  | –    | mA            |
| $I_{OH}$  | HIGH level pull-up output source current   | $V_O = 0.7V_{DD}$             | –40  | –100 | –    | $\mu\text{A}$ |
|   | HIGH level pull-up output source current   | $V_O = V_{SS}$                | –    | –140 | –400 | $\mu\text{A}$ |
|   | HIGH level push-pull output source current | $V_O = V_{DD} - 0.4\text{ V}$ | –1.4 | –3   | –    | mA            |
| <b>DP10/AFC0, DP11/AFC1 and DP12/AFC2 as derivative output Port</b> |  |                               |      |      |      |               |
| $I_{OL}$  | LOW level output sink current              | $V_{OL} = 0.4\text{ V}$       | 5.0  | 12.0 | –    | mA            |
| $I_{OH}$  | HIGH level pull-up output source current   | $V_O = 0.7V_{DD}$             | –40  | –100 | –    | $\mu\text{A}$ |
|   | HIGH level pull-up output source current   | $V_O = V_{SS}$                | –    | –140 | –400 | $\mu\text{A}$ |
|   | HIGH level push-pull output source current | $V_O = V_{DD} - 0.4\text{ V}$ | –3.0 | –7.0 | –    | mA            |
| <b>DP20/SDA and DP21/SCL outputs</b>                                |  |                               |      |      |      |               |
| $I_{OL}$  | LOW level output sink current              | $V_{OL} = 0.4\text{ V}$       | 3.0  | –    | –    | mA            |
| $I_{OH}$  | HIGH level pull-up output source current   | $V_O = 0.7V_{DD}$             | –40  | –100 | –    | $\mu\text{A}$ |
|   | HIGH level pull-up output source current   | $V_O = V_{SS}$                | –    | –140 | –400 | $\mu\text{A}$ |
|   | HIGH level push-pull output source current | $V_O = V_{DD} - 0.4\text{ V}$ | –    | –7.0 | –    | mA            |
| <b>DP22/VOW1, DP23/VOW0 and DP13/TDAC as derivative output Port</b> |  |                               |      |      |      |               |
| $I_{OL}$  | LOW level output sink current              | $V_{OL} = 0.4\text{ V}$       | 5.0  | 12.0 | –    | mA            |
| $I_{OH}$  | HIGH level pull-up output source current   | $V_O = 0.7V_{DD}$             | –40  | –100 | –    | $\mu\text{A}$ |
|   | HIGH level pull-up output source current   | $V_O = V_{SS}$                | –    | –140 | –400 | $\mu\text{A}$ |
|   | HIGH level push-pull output source current | $V_O = V_{DD} - 0.4\text{ V}$ | –3.0 | –7.0 | –    | mA            |
| <b>DP22/VOW1 and DP23/VOW0 as VOWi output</b>                       |  |                               |      |      |      |               |
| $I_{OL}$  | LOW level output sink current              | $V_{OL} = 0.4\text{ V}$       | 1.4  | 3.0  | –    | mA            |
| $I_{OH}$  | HIGH level pull-up output source current   | $V_O = 0.7V_{DD}$             | –40  | –100 | –    | $\mu\text{A}$ |
|   | HIGH level pull-up output source current   | $V_O = V_{SS}$                | –    | –140 | –400 | $\mu\text{A}$ |
|   | HIGH level push-pull output source current | $V_O = V_{DD} - 0.4\text{ V}$ | –1.4 | –3.0 | –    | mA            |

## Microcontrollers for TV tuning control and OSD applications

PCA84C646; PCA84C846

| SYMBOL  | PARAMETER                                  | CONDITIONS  | MIN.               | TYP. | MAX.               | UNIT |
|---|--|---|--------------------|------|--------------------|------|
| <b>DP13/TDAC as TDAC output</b>   |  |   |                    |      |                    |      |
| I <sub>OL</sub>   | LOW level output sink current              | V <sub>OL</sub> = 0.4 V   | 1.4                | 3.0  | –                  | mA   |
| I <sub>OH</sub>   | HIGH level pull-up output source current   | V <sub>O</sub> = 0.7V <sub>DD</sub>   | –40                | –100 | –                  | μA   |
|   | HIGH level pull-up output source current   | V <sub>O</sub> = V <sub>SS</sub>  | –                  | –140 | –400               | μA   |
|   | HIGH level push-pull output source current | V <sub>O</sub> = V <sub>DD</sub> – 0.4 V  | –1.4               | –3.0 | –                  | mA   |
| <b>EMU/TEST, RESET, INT/T0, T1, HSYNC, VSYNC and T3 (Schmitt-trigger input)</b> |  |   |                    |      |                    |      |
| V <sub>IL</sub>   | LOW level input voltage                    | V <sub>DD</sub> = 4.5 V to 5.5 V  | 0                  | –    | 0.3V <sub>DD</sub> | V    |
| V <sub>IH</sub>   | HIGH level input voltage                   | V <sub>DD</sub> = 4.5 V to 5.5 V  | 0.7V <sub>DD</sub> | –    | V <sub>DD</sub>    | V    |
| I <sub>LI</sub>   | input leakage current                      | V <sub>DD</sub> = 4.5 V to 5.5 V;<br>V <sub>SS</sub> < V <sub>I</sub> < V <sub>DD</sub> | –1.0               | –    | +1.0               | μA   |

## 22 AC CHARACTERISTICS

V<sub>DD</sub> = 5 V; T<sub>amb</sub> = –20 to +70 °C; all voltages with respect to V<sub>SS</sub>; unless otherwise specified.

| SYMBOL                | PARAMETER                      | CONDITIONS                     | MIN.         | TYP. | MAX. | UNIT |
|-----------------------|--------------------------------|--------------------------------|--------------|------|------|------|
| <b>Oscillator</b>     |                                |                                |              |      |      |      |
| f <sub>xtal</sub>     | crystal frequency (note 1)     |                                | 1            | –    | 10.0 | MHz  |
| f <sub>osc-XTAL</sub> | oscillator frequency; option 1 | g <sub>m</sub> = 0.4 mS (typ.) | 1            | –    | 6.0  | MHz  |
| f <sub>osc-PXE</sub>  |                                |                                | not allowed  |      |      | MHz  |
| f <sub>osc-XTAL</sub> | oscillator frequency; option 2 | g <sub>m</sub> = 1.6 mS (typ.) | 4.0          | –    | 10.0 | MHz  |
| f <sub>osc-PXE</sub>  |                                |                                | 1.0          | –    | 6.0  | MHz  |
| f <sub>osc-XTAL</sub> | oscillator frequency; option 3 | g <sub>m</sub> = 4.5 mS (typ.) | not allowed  |      |      | MHz  |
| f <sub>osc-PXE</sub>  |                                |                                | 3.0          | –    | 10.0 | MHz  |
| C <sub>XTAL1</sub>    | external capacitance at XTAL1  |                                |              |      |      |      |
|                       | with XTAL resonator            |                                | not required |      |      | pF   |
|                       | with PXE resonator             |                                | –            | 30   | 100  | pF   |
| C <sub>XTAL2</sub>    | external capacitance at XTAL2  |                                |              |      |      |      |
|                       | with XTAL resonator            |                                | not required |      |      | pF   |
|                       | with PXE resonator             |                                | –            | 30   | 100  | pF   |
| f <sub>OSD</sub>      | OSD clock frequency            |                                | 4.0          | 8.0  | 12.0 | MHz  |

### Note

- Oscillator with three (3) options for optimum use.

## 23 AFC CHARACTERISTICS

| SYMBOL   | PARAMETER   | MIN.            | TYP. | MAX.            | UNIT |
|--|---|-----------------|------|-----------------|------|
| T <sub>AFC</sub>   | conversion time (from any change in the AFC: channel number, voltage level, enable/disable) with f <sub>xtal</sub> = 10 MHz | –               | –    | 7               | μs   |
| <b>DP10/AFC0, DP11/AFC1 and DP12/AFC2 comparator input</b> |   |                 |      |                 |      |
| V <sub>AI</sub>  | comparator analog input voltage   | V <sub>SS</sub> | –    | V <sub>DD</sub> | V    |
| V <sub>AE</sub>  | conversion error range  | –               | –    | ±0.5            | LSB  |

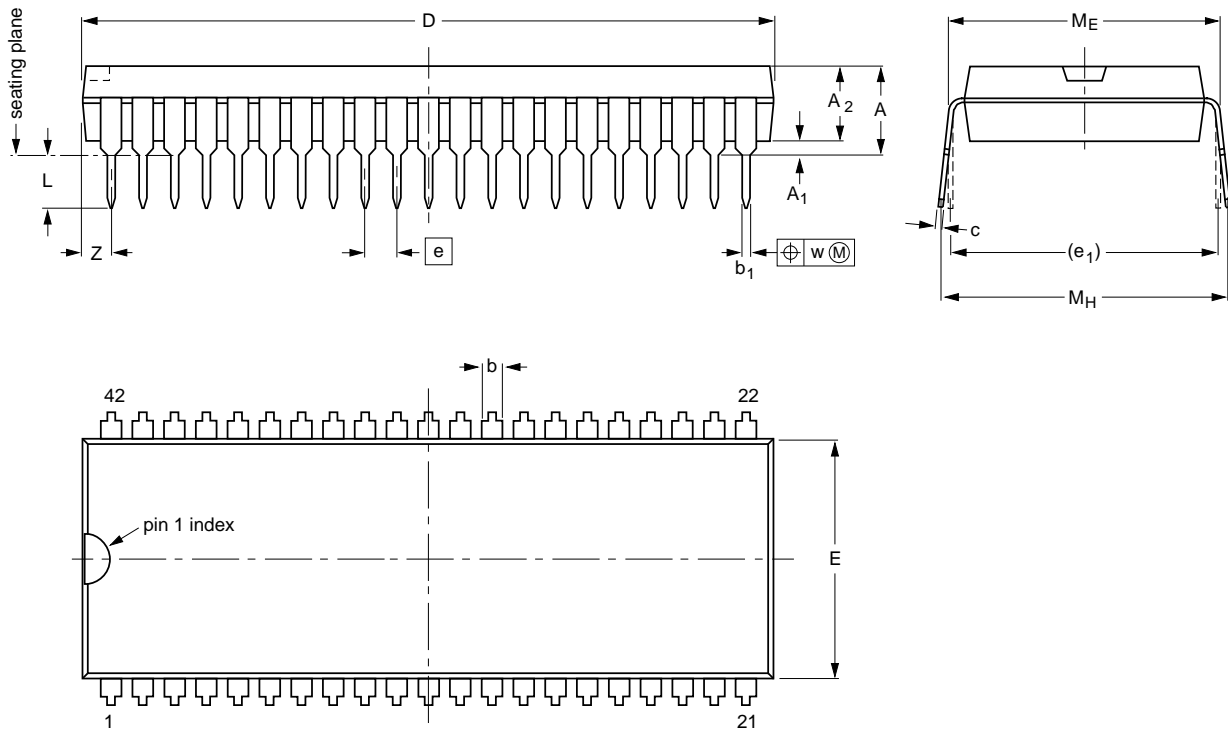
Microcontrollers for TV tuning control and OSD applications

PCA84C646; PCA84C846

24 PACKAGE OUTLINE

SDIP42: plastic shrink dual in-line package; 42 leads (600 mil)

SOT270-1



DIMENSIONS (mm are the original dimensions)

| UNIT | A max. | A <sub>1</sub> min. | A <sub>2</sub> max. | b          | b <sub>1</sub> | c            | D <sup>(1)</sup> | E <sup>(1)</sup> | e     | e <sub>1</sub> | L          | M <sub>E</sub> | M <sub>H</sub> | w    | z <sup>(1)</sup> max. |
|------|--------|---------------------|---------------------|------------|----------------|--------------|------------------|------------------|-------|----------------|------------|----------------|----------------|------|-----------------------|
| mm   | 5.08   | 0.51                | 4.0                 | 1.3<br>0.8 | 0.53<br>0.40   | 0.32<br>0.23 | 38.9<br>38.4     | 14.0<br>13.7     | 1.778 | 15.24          | 3.2<br>2.9 | 15.80<br>15.24 | 17.15<br>15.90 | 0.18 | 1.73                  |

Note

1. Plastic or metal protrusions of 0.25 mm maximum per side are not included.

| OUTLINE VERSION | REFERENCES |       |      |  | EUROPEAN PROJECTION | ISSUE DATE                      |
|-----------------|------------|-------|------|--|---------------------|---------------------------------|
|                 | IEC        | JEDEC | EIAJ |  |                     |                                 |
| SOT270-1        |            |       |      |  |                     | <del>90-02-13</del><br>95-02-04 |

---

## Microcontrollers for TV tuning control and OSD applications

---

PCA84C646; PCA84C846

### 25 SOLDERING

#### 25.1 Introduction

There is no soldering method that is ideal for all IC packages. Wave soldering is often preferred when through-hole and surface mounted components are mixed on one printed-circuit board. However, wave soldering is not always suitable for surface mounted ICs, or for printed-circuits with high population densities. In these situations reflow soldering is often used.

This text gives a very brief insight to a complex technology. A more in-depth account of soldering ICs can be found in our "*IC Package Databook*" (order code 9398 652 90011).

#### 25.2 Soldering by dipping or by wave

The maximum permissible temperature of the solder is 260 °C; solder at this temperature must not be in contact with the joint for more than 5 seconds. The total contact time of successive solder waves must not exceed 5 seconds.

The device may be mounted up to the seating plane, but the temperature of the plastic body must not exceed the specified storage maximum ( $T_{stg\ max}$ ). If the printed-circuit board has been pre-heated, forced cooling may be necessary immediately after soldering to keep the temperature within the permissible limit.

#### 25.3 Repairing soldered joints

Apply a low voltage soldering iron (less than 24 V) to the lead(s) of the package, below the seating plane or not more than 2 mm above it. If the temperature of the soldering iron bit is less than 300 °C it may remain in contact for up to 10 seconds. If the bit temperature is between 300 and 400 °C, contact may be up to 5 seconds.

## Microcontrollers for TV tuning control and OSD applications

PCA84C646; PCA84C846

### 26 DEFINITIONS

|   |   |
|---|---|
| <b>Data sheet status</b>  |   |
| Objective specification   | This data sheet contains target or goal specifications for product development.       |
| Preliminary specification   | This data sheet contains preliminary data; supplementary data may be published later. |
| Product specification   | This data sheet contains final product specifications.                                |
| <b>Limiting values</b>  |   |
| Limiting values given are in accordance with the Absolute Maximum Rating System (IEC 134). Stress above one or more of the limiting values may cause permanent damage to the device. These are stress ratings only and operation of the device at these or at any other conditions above those given in the Characteristics sections of the specification is not implied. Exposure to limiting values for extended periods may affect device reliability. |   |
| <b>Application information</b>  |   |
| Where application information is given, it is advisory and does not form part of the specification.   |   |

### 27 LIFE SUPPORT APPLICATIONS

These products are not designed for use in life support appliances, devices, or systems where malfunction of these products can reasonably be expected to result in personal injury. Philips customers using or selling these products for use in such applications do so at their own risk and agree to fully indemnify Philips for any damages resulting from such improper use or sale.

### 28 PURCHASE OF PHILIPS I<sup>2</sup>C COMPONENTS



Purchase of Philips I<sup>2</sup>C components conveys a license under the Philips' I<sup>2</sup>C patent to use the components in the I<sup>2</sup>C system provided the system conforms to the I<sup>2</sup>C specification defined by Philips. This specification can be ordered using the code 9398 393 40011.

---

Microcontrollers for TV tuning  
control and OSD applications

---

PCA84C646; PCA84C846

**NOTES**

---

Microcontrollers for TV tuning  
control and OSD applications

---

PCA84C646; PCA84C846

**NOTES**

## Philips Semiconductors – a worldwide company

**Argentina:** IEROD, Av. Juramento 1992 - 14.b, (1428)  
BUENOS AIRES, Tel. (541)786 7633, Fax. (541)786 9367

**Australia:** 34 Waterloo Road, NORTH RYDE, NSW 2113,  
Tel. (02)805 4455, Fax. (02)805 4466

**Austria:** Triester Str. 64, A-1101 WIEN, P.O. Box 213,  
Tel. (01)60 101-1236, Fax. (01)60 101-1211

**Belgium:** Postbus 90050, 5600 PB EINDHOVEN, The Netherlands,  
Tel. (31)40 783 749, Fax. (31)40 788 399

**Brazil:** Rua do Rocio 220 - 5<sup>th</sup> floor, Suite 51,  
CEP: 04552-903-SÃO PAULO-SP, Brazil.  
P.O. Box 7383 (01064-970),  
Tel. (011)821-2333, Fax. (011)829-1849

**Canada:** PHILIPS SEMICONDUCTORS/COMPONENTS:  
Tel. (800) 234-7381, Fax. (708) 296-8556

**Chile:** Av. Santa Maria 0760, SANTIAGO,  
Tel. (02)773 816, Fax. (02)777 6730

**Colombia:** IPRELENZO LTDA, Carrera 21 No. 56-17,  
77621 BOGOTA, Tel. (571)249 7624/(571)217 4609,  
Fax. (571)217 4549

**Denmark:** Prags Boulevard 80, PB 1919, DK-2300  
COPENHAGEN S, Tel. (032)88 2636, Fax. (031)57 1949

**Finland:** Sinikalliontie 3, FIN-02630 ESPOO,  
Tel. (358)0-615 800, Fax. (358)0-61580 920

**France:** 4 Rue du Port-aux-Vins, BP317,  
92156 SURESNES Cedex,  
Tel. (01)4099 6161, Fax. (01)4099 6427

**Germany:** P.O. Box 10 63 23, 20043 HAMBURG,  
Tel. (040)3296-0, Fax. (040)3296 213.

**Greece:** No. 15, 25th March Street, GR 17778 TAVROS,  
Tel. (01)4894 339/4894 911, Fax. (01)4814 240

**Hong Kong:** PHILIPS HONG KONG Ltd., 15/F Philips Ind. Bldg.,  
24-28 Kung Yip St., KWAI CHUNG, N.T.,  
Tel. (852)424 5121, Fax. (852)480 6960/480 6009

**India:** Philips INDIA Ltd, Shivsagar Estate, A Block,  
Dr. Annie Besant Rd. Worli, Bombay 400 018  
Tel. (022)4938 541, Fax. (022)4938 722

**Indonesia:** Philips House, Jalan H.R. Rasuna Said Kav. 3-4,  
P.O. Box 4252, JAKARTA 12950,  
Tel. (021)5201 122, Fax. (021)5205 189

**Ireland:** Newstead, Clonskeagh, DUBLIN 14,  
Tel. (01)7640 000, Fax. (01)7640 200

**Italy:** PHILIPS SEMICONDUCTORS S.r.l.,  
Piazza IV Novembre 3, 20124 MILANO,  
Tel. (0039)2 6752 2531, Fax. (0039)2 6752 2557

**Japan:** Philips Bldg 13-37, Kohnan2-chome, Minato-ku, TOKYO 108,  
Tel. (03)3740 5130, Fax. (03)3740 5077

**Korea:** Philips House, 260-199 Itaewon-dong,  
Yongsan-ku, SEOUL, Tel. (02)709-1412, Fax. (02)709-1415

**Malaysia:** No. 76 Jalan Universiti, 46200 PETALING JAYA,  
SELANGOR, Tel. (03)750 5214, Fax. (03)757 4880

**Mexico:** 5900 Gateway East, Suite 200, EL PASO, TX 79905,  
Tel. 9-5(800)234-7381, Fax. (708)296-8556

**Netherlands:** Postbus 90050, 5600 PB EINDHOVEN, Bldg. VB  
Tel. (040)783749, Fax. (040)788399

**New Zealand:** 2 Wagener Place, C.P.O. Box 1041, AUCKLAND,  
Tel. (09)849-4160, Fax. (09)849-7811

**Norway:** Box 1, Manglerud 0612, OSLO,  
Tel. (022)74 8000, Fax. (022)74 8341

**Pakistan:** Philips Electrical Industries of Pakistan Ltd.,  
Exchange Bldg. ST-2/A, Block 9, KDA Scheme 5, Clifton,  
KARACHI 75600, Tel. (021)587 4641-49,  
Fax. (021)577035/5874546

**Philippines:** PHILIPS SEMICONDUCTORS PHILIPPINES Inc,  
106 Valero St. Salcedo Village, P.O. Box 2108 MCC, MAKATI,  
Metro MANILA, Tel. (02)810 0161, Fax. (02)817 3474

**Portugal:** PHILIPS PORTUGUESA, S.A.,  
Rua dr. António Loureiro Borges 5, Arquiparque - Miraflores,  
Apartado 300, 2795 LINDA-A-VELHA,  
Tel. (01)4163160/4163333, Fax. (01)4163174/4163366

**Singapore:** Lorong 1, Toa Payoh, SINGAPORE 1231,  
Tel. (65)350 2000, Fax. (65)251 6500

**South Africa:** S.A. PHILIPS Pty Ltd.,  
195-215 Main Road Martindale, 2092 JOHANNESBURG,  
P.O. Box 7430, Johannesburg 2000,  
Tel. (011)470-5911, Fax. (011)470-5494.

**Spain:** Balmes 22, 08007 BARCELONA,  
Tel. (03)301 6312, Fax. (03)301 42 43

**Sweden:** Kottbygatan 7, Akalla. S-164 85 STOCKHOLM,  
Tel. (0)8-632 2000, Fax. (0)8-632 2745

**Switzerland:** Allmendstrasse 140, CH-8027 ZÜRICH,  
Tel. (01)488 2211, Fax. (01)481 77 30

**Taiwan:** PHILIPS TAIWAN Ltd., 23-30F, 66, Chung Hsiao West  
Road, Sec. 1. Taipei, Taiwan ROC, P.O. Box 22978,  
TAIPEI 100, Tel. (02)388 7666, Fax. (02)382 4382

**Thailand:** PHILIPS ELECTRONICS (THAILAND) Ltd.,  
209/2 Sanpavuth-Bangna Road Prakanong,  
Bangkok 10260, THAILAND,  
Tel. (662)398-0141, Fax. (662)398-3319

**Turkey:** Talatpasa Cad. No. 5, 80640 GÜLTEPE/ISTANBUL,  
Tel. (0212)279 27 70, Fax. (0212)282 67 07

**United Kingdom:** Philips Semiconductors LTD.,  
276 Bath Road, Hayes, MIDDLESEX UB3 5BX,  
Tel. (0181)730-5000, Fax. (0181)754-8421

**United States:** 811 East Arques Avenue, SUNNYVALE,  
CA 94088-3409, Tel. (800)234-7381, Fax. (708)296-8556

**Uruguay:** Coronel Mora 433, MONTEVIDEO,  
Tel. (02)70-4044, Fax. (02)92 0601

**Internet:** <http://www.semiconductors.philips.com/ps/>

**For all other countries apply to:** Philips Semiconductors,  
International Marketing and Sales, Building BE-p,  
P.O. Box 218, 5600 MD EINDHOVEN, The Netherlands,  
Telex 35000 phtcnl, Fax. +31-40-724825

SCD40 © Philips Electronics N.V. 1995

All rights are reserved. Reproduction in whole or in part is prohibited without the prior written consent of the copyright owner.

The information presented in this document does not form part of any quotation or contract, is believed to be accurate and reliable and may be changed without notice. No liability will be accepted by the publisher for any consequence of its use. Publication thereof does not convey nor imply any license under patent- or other industrial or intellectual property rights.

Printed in The Netherlands

453061/1500/03/pp72  
Document order number:

Date of release: 1995 Jun 15  
9397 750 00166