

**PLEASE CHECK WWW.MOLEX.COM FOR LATEST PART INFORMATION**

**Part Number:** **0875691016**  
**Status:** **Active**  
**Overview:** milligrd  
**Description:** 2.00mm (.079") Strain Relief for Dual Row IDT, 16 circuits

**Documents:**

[3D Model](#) [Product Specification PS-87568-004 \(PDF\)](#)  
[Drawing \(PDF\)](#) [RoHS Certificate of Compliance \(PDF\)](#)

**General**

|                             |               |
|-----------------------------|---------------|
| Product Family              | Accessories   |
| Series                      | 87569         |
| Component Type              | Strain Relief |
| Overview                    | milligrd      |
| Product Literature Order No | 987650-1991   |
| Product Name                | Milli-Grid™   |

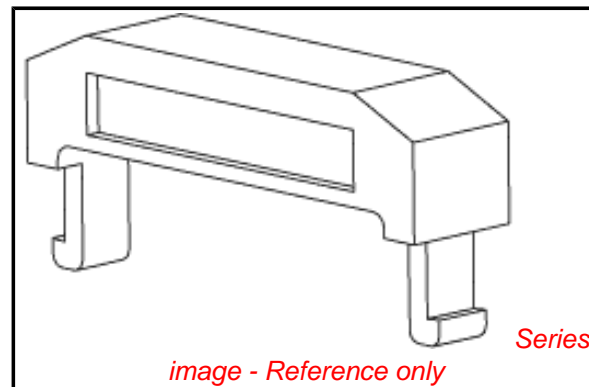
**Physical**

|                   |                                |
|-------------------|--------------------------------|
| Circuits (Loaded) | 16                             |
| Color - Resin     | Black                          |
| Gender            | N/A                            |
| Material - Resin  | High Temperature Thermoplastic |
| Number of Rows    | 2                              |
| Packaging Type    | Bag                            |

**Material Info**

**Reference - Drawing Numbers**

|                       |              |
|-----------------------|--------------|
| Product Specification | PS-87568-004 |
| Sales Drawing         | SD-87569-008 |



**EU RoHS**

**ELV and RoHS  
Compliant**  
**REACH SVHC  
Contains SVHC: No**  
**Halogen-Free  
Status**

**China RoHS**



**Not Reviewed**

**Need more information on product  
environmental compliance?**

Email [productcompliance@molex.com](mailto:productcompliance@molex.com)  
For a multiple part number RoHS Certificate of  
Compliance, [click here](#)

Please visit the [Contact Us](#) section for any  
non-product compliance questions.

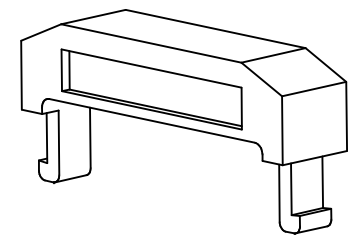
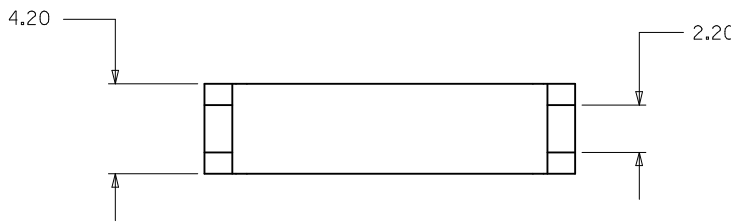
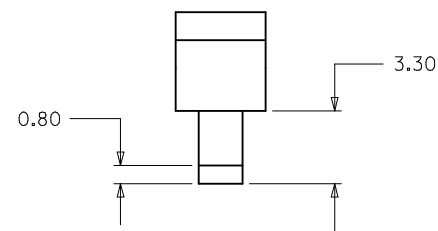
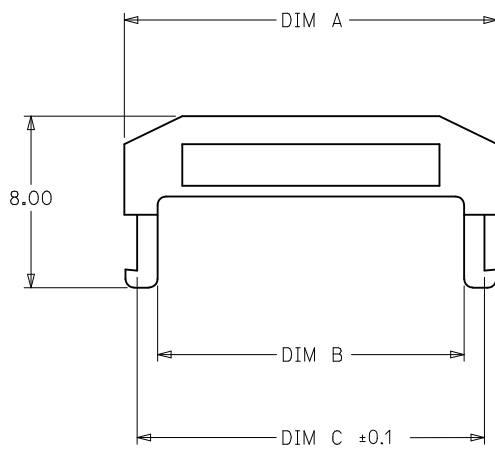
**Search Parts in this Series**

[87569Series](#)

**Use With**

PCB Receptacle

| ENGINEERING NUMBER | CKT. SIZE | A     | B     | C     |
|--------------------|-----------|-------|-------|-------|
| 87569-1010         | 10        | 15.40 | 12.20 | 14.25 |
| 87569-1012         | 12        | 17.40 | 14.20 | 16.25 |
| 87569-1014         | 14        | 19.40 | 16.20 | 18.25 |
| 87569-1016         | 16        | 21.40 | 18.20 | 20.25 |
| 87569-1020         | 20        | 25.40 | 22.20 | 24.25 |
| 87569-1022         | 22        | 27.40 | 24.20 | 26.25 |
| 87569-1024         | 24        | 29.40 | 26.20 | 28.25 |
| 87569-1026         | 26        | 31.40 | 28.20 | 30.25 |
| 87569-1030         | 30        | 35.40 | 32.20 | 34.25 |
| 87569-1032         | 32        | 37.40 | 34.20 | 36.25 |
| 87569-1034         | 34        | 39.40 | 36.20 | 38.25 |
| 87569-1040         | 40        | 45.40 | 42.20 | 44.25 |
| 87569-1044         | 44        | 49.40 | 46.20 | 48.25 |
| 87569-1050         | 50        | 55.40 | 52.20 | 54.25 |



87569 - 1 0 \* \*  
 ↳ CKT. SIZE

- NOTES
- MATERIAL : THERMOPLASTIC, UL94V-0 BLACK
  - FOR ILLUSTRATION PURPOSES A 12 CIRCUIT SIZE PART IS SHOWN.
  - FOR ALL OTHER CIRCUIT SIZES CONTACT FACTORY.

|   |  |                    |  |                                       |       |   |                      |                    |                                  |                              |                     |  |
|---|--|--------------------|--|---------------------------------------|-------|---|----------------------|--------------------|----------------------------------|------------------------------|---------------------|--|
| ADD 32CKT OPTION<br>EC NO: S2010-0273<br>DRWN:SKANG<br>CHKD:ATSEE<br>APPR:MLONG | 2009/09/28<br>2009/11/13<br>2009/11/17 | DESCRIPTION<br>REV | QUALITY SYMBOLS                                    | GENERAL TOLERANCES (UNLESS SPECIFIED) |       | DIMENSION STYLE<br>MM ONLY  |                      | SCALE<br>NTS       | DESIGN UNITS<br>METRIC           | THIRD ANGLE PROJECTION       |                     |  |
|   |  |                    | $\nabla_A = 0$<br>$\nabla_C = 0$<br>$\nabla_F = 0$ | 4 PLACES                              | mm    | INCH  | DRAWN BY<br>MSAKTHI  | DATE<br>1999/02/25 | TITLE<br>MGRID, 2MM DUAL ROW IDT |                              |                     |  |
|   |  |                    |  | 3 PLACES                              | ± --- | ± ---   | CHECKED BY<br>JSGOH  | DATE<br>1999/07/19 |                                  |                              |                     |  |
|   |  |                    |  | 2 PLACES                              | ± 0.2 | ± ---   | APPROVED BY<br>MLONG | DATE<br>2009/11/13 | MATERIAL NO.<br>SEE TABLE        | DOCUMENT NO.<br>SD-87569-008 | SHEET NO.<br>1 OF 1 |  |
| DRAFT WHERE APPLICABLE MUST REMAIN WITHIN DIMENSIONS                            |  |                    |  | ANGULAR ± 3 °                         |       | THIS DRAWING CONTAINS INFORMATION THAT IS PROPRIETARY TO MOLEX INCORPORATED AND SHOULD NOT BE USED WITHOUT WRITTEN PERMISSION |                      |                    |                                  |                              |                     |  |