

**GSC310-10M1900**

1900MHz Band 10dB Chip Coupler

[Inquire](#)

Compact &amp; High power capability.

**Application**

for RF power amplifier (Base station)

**Characteristics****GSC310-10M1900**

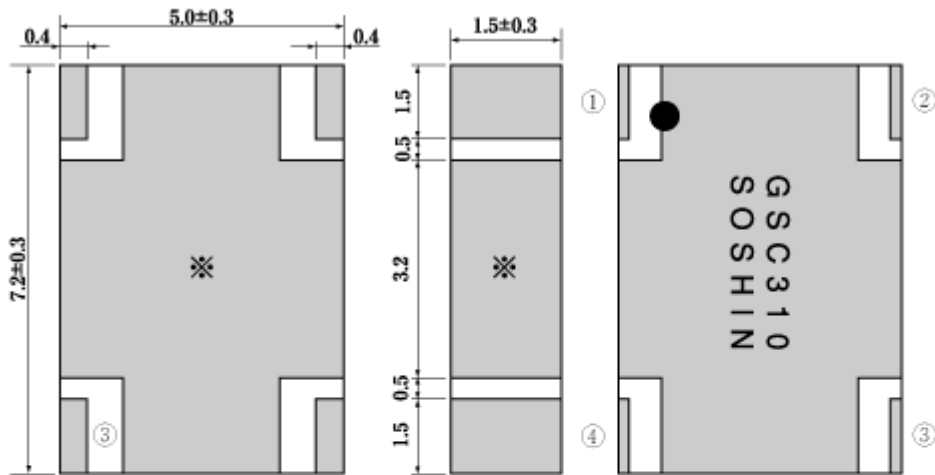
Zin/Zout	50 ohm Nominal
Frequency Range	1800-2000MHz
Insertion Loss	0.2dB max at 25 Deg.C
Coupling	9.5+/-1.5dB
V.S.W.R	1.18 max
Directivity	23dB min
Input Power	200W Avg/CW
Operating Temperature	-40 up to 125 Deg.C
Storage Temperature	-40 up to 85 Deg.C (-20 up to 35 Deg.C for tape and reel materials)

**Number of ordered pieces**

1000pcs/Reel

**Dimensions**

**Dimension (Unit : mm)**



Terminal	
①	IN
②	Coupling
③	ISO
④	OUT
*	GND

Tolerance : ±0.2



**Measurement circuit**

**1. Note**

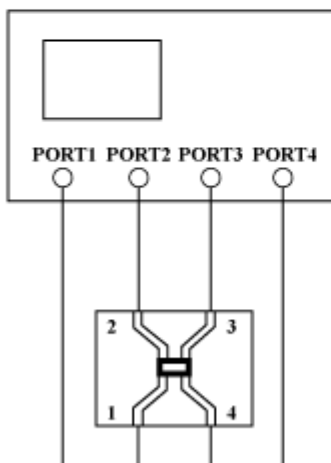
**Heat Dissipation**

Please let me emit sufficient heat so that product surface temperature may become quantity fewer than 120deg, and use it.

**2. Measuring Circuit**

All items of electrical characteristics shall be measured on test fixture which is decided by supplier.

**Network analyzer**

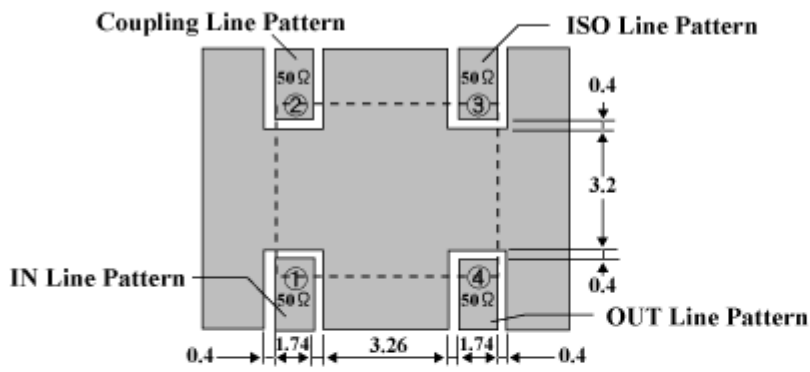


Terminal	
①	IN
②	Coupling
③	Isolation
④	OUT

**Recommended pattern (Unit:mm)**

## Measurement board pattern

(Example :  $\epsilon = 2.6$ ,  $t = 0.8\text{mm}$  Double side printed circuit board)



Terminal	
①	IN
②	Coupling
③	ISO
④	OUT
※	GND

## Resist pattern

