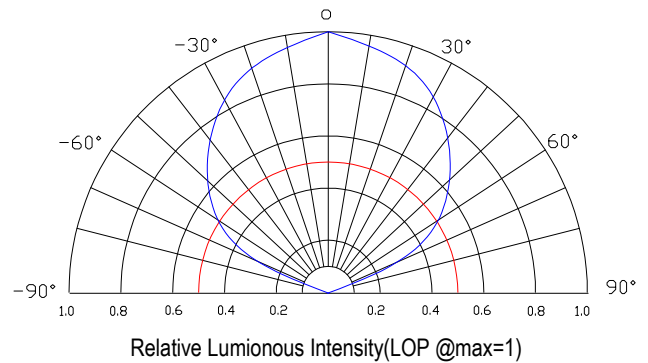


## FYLP-1W-UYL

### Features:

- Long operating life
- Highest flux
- Available in Yellow
- Lambertian radiation pattern
- More energy efficient than incandescent and most halogen lamps
- Low voltage DC operated
- Cool beam, safe to the touch
- Instant light (less than 100ns)
- Fully dimmable
- No UV
- Lower Rth
- ROHS compliant

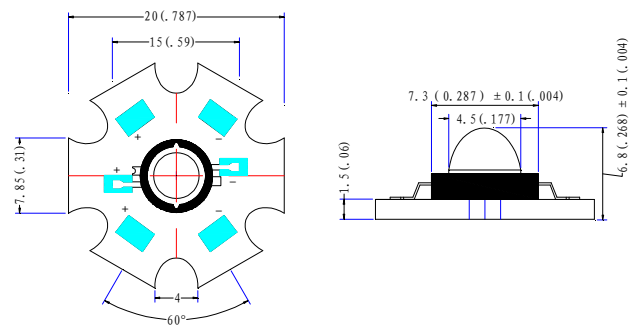
### Radiation Pattern



### Package Dimensions

### Applications

- Reading lights(car,bus,aircraft)
- LCD Backlights /light Guides
- Fiber optic alternative/Decorative/Entertainment
- Mini-accent/Up lighters/Down lighters/ Orientation
- Indoor/Outdoor commercial and Residential Architectural
- Cove/Under shelf /Task
- Bollards/Security/Garden
- Portable(flashlight,bicycle)
- Edge-lit signs (Exit, point of sale)
- Automotive Exit (stop –tail-Turn ,CHMSL,Mirror Side Repeat)
- Trafficsignaling /Beacons/railCrossing and Wayside



■ **Typical Optical/Electrical Characteristics@T<sub>J</sub>=25°C**

Item	symbol	Condition	Min	Typ	Max	Unit
Forward Voltage	VF	IF=350mA		2.2	2.5	V
Reverse Current	IR	VR=5V			50	uA
50% Power Angle	2θ <sub>1/2</sub>	IF=350mA	110	120	130	deg
Luminous Intensity	Φ <sub>v</sub>	IF=350mA	30	35		LM
Recommend Forward Current	IF			350		mA
Wave length	λ <sub>d</sub>	IF=350mA	585		595	nm
Thermal Resistance,Junction to Case	R <sub>jp</sub>	IF=350mA		10		°C/W

- Notes: 1. Tolerance of measurement of forward voltage  $\pm 0.1\text{v}$   
 2. Tolerance of measurement of peak Wavelength  $\pm 2.0\text{nm}$   
 3. Tolerance of measurement of luminous intensity  $\pm 15\%$ .

■ **Absolute Maximum Rating**

Item	symbol	Absolute Maximum Rating	Unit
Forward Current	IF	350	mA
Peak Forward Current*	IFD	500	mA
Reverse Voltage	VR	5	V
Power Dissipation	PD	1000	mW
Operation Temperature	T <sub>OPR</sub>	-30°C to +80°C	
Storage Temperature	T <sub>STG</sub>	-40°C to +100°C	
Lead Soldering Temperature*	T <sub>SOL</sub>	260°C for 3 Seconds Max	

- IFP Conditions :Pulse Width  $\leq 10$  msec duty  $\leq 1/10$
- All high Power emitter LED products mounted on aluminum metal-core printed circuit board, can be lighted directly ,but we do not recommend lighting the high power products for more than 5 seconds without a directly,but we do not recommend lighting the high powe products for more than 5 seconds without a appropriate heat dissipation equipment.
- Re-flow, wave peak and soak-stannum soldering etc. is not suitable for this products.
- Suggest to solder it by professional high power LED soldering machine.
- Can use invariable -temperature searing-iron with soldering condition:  $\leq 260$  degree less than 3 seconds.



# HIGH POWER

## ■ Typical optical/Electrical Characteristics Curves (Tj=25°C Unless Otherwise Noted)

