

## SILICON TRANSISTORS 2SC2148, 2SC2149

### MICROWAVE LOW NOISE AMPLIFIER NPN SILICON EPITAXIAL TRANSISTOR

#### DESCRIPTION

The 2SC2148, 2SC2149 are economical microwave transistors encapsulated into new hermetic stripline packages, "micro X". These are designed for small signal amplifier, low noise amplifier, and oscillator applications in the L to C band, and CML circuit use.

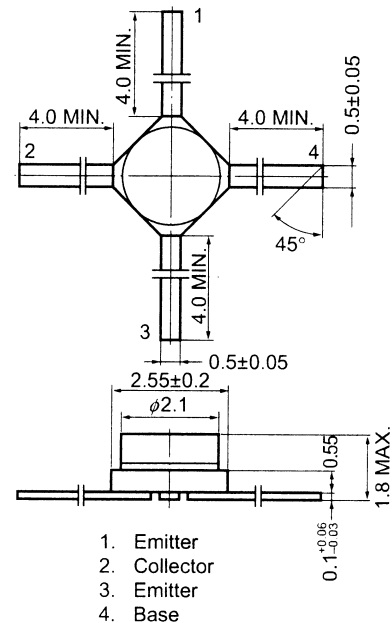
#### FEATURES

2SC2148 NF: 2.1 dB TYP. @f = 500 MHz

2SC2149 NF: 2.6 dB TYP. @f = 2.0 GHz

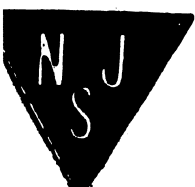
#### PACKAGE DIMENSIONS

(Unit : mm)

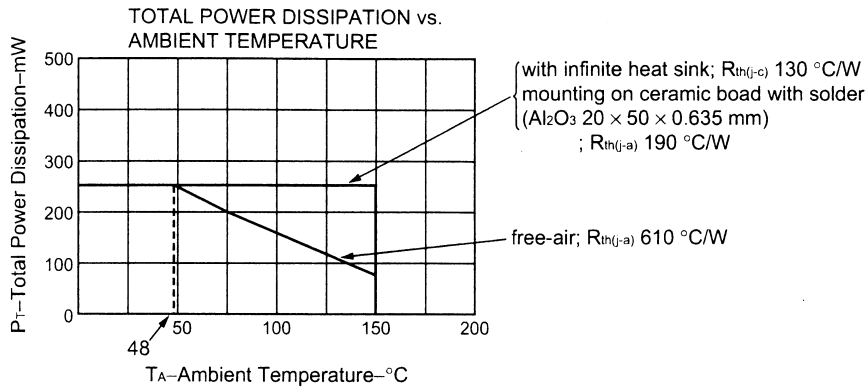


#### Derating curves of the 2SC2148, 2SC2149.

The maximum junction temperature of these transistors is allowed up to 200 °C, but the ambient or storage temperature is limited to 150 °C. The operating junction temperature is estimated with power consumption ( $P_T$ ) and thermal resistance mentioned on these derating curves.



**2SC2148**



**2SC2149**

