

**PLEASE CHECK WWW.MOLEX.COM FOR LATEST PART INFORMATION**

**Part Number:** **0585500000**  
**Status:** **Active**  
**Description:** HMC™ Rectangular Industrial End Bell Cap Assembly, PG29, 14.00 to 18.00 dia. Wire, Blue Bush, for External Threaded Hoods

**Documents:**

<a href="#">3D Model</a>	<a href="#">Product Specification PS-54478-001 (PDF)</a>
<a href="#">Drawing (PDF)</a>	<a href="#">Product Specification PS-58691-004 (PDF)</a>
<a href="#">Product Specification PS-500810-001 (PDF)</a>	<a href="#">RoHS Certificate of Compliance (PDF)</a>

**Agency Certification**

TUV R72081037

**General**

Product Family	I/O Connectors
Series	58550
Application	Panel-Mount, Wire-to-Wire
Component Type	Bell Cap Assembly
Product Name	HMC™
Type	N/A

**Physical**

Boot Color	N/A
Circuits (Loaded)	N/A
Durability (mating cycles max)	50
Gender	N/A
Lock to Mating Part	Yes
Material - Plating Mating	n/a
Orientation	N/A
PCB Locator	No
Packaging Type	Bag
Panel Mount	N/A
Pitch - Mating Interface (in)	0.000 In
Pitch - Mating Interface (mm)	0.00 mm
Polarized to Mating Part	N/A
Polarized to PCB	N/A
Surface Mount Compatible (SMC)	N/A
Termination Interface: Style	N/A
Waterproof / Dustproof	No

**Electrical**

Current - Maximum per Contact	35A
Shielded	No
Voltage - Maximum	250V AC (RMS)/DC

**Material Info**

**Reference - Drawing Numbers**

Product Specification	PS-500810-001, PS-54478-001, PS-58691-004, RPS-500810-001, RPS-58691-003, RPS-58691-004, RPS-58691-005
Sales Drawing	SD-58550-****

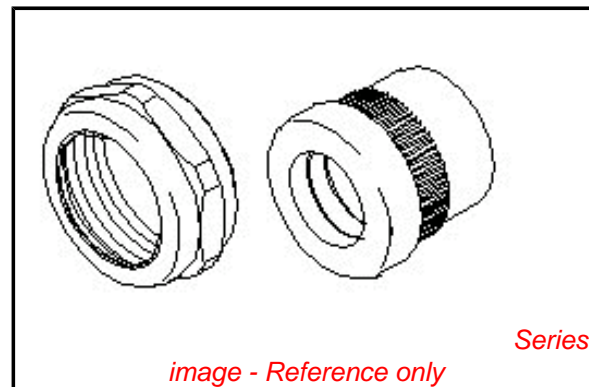


image - Reference only

**EU RoHS**

**RoHS Compliant by Exemption**  
**REACH SVHC**  
 Not Reviewed  
**Halogen-Free**  
**Status**  
 Not Reviewed

**China RoHS**



**Need more information on product environmental compliance?**

Email [productcompliance@molex.com](mailto:productcompliance@molex.com)  
 For a multiple part number RoHS Certificate of Compliance, [click here](#)

Please visit the [Contact Us](#) section for any non-product compliance questions.

**Search Parts in this Series**

58550Series

**Use With**

58461-\*01\* hood, 58462-\*01\* hood, 58474-\*00\* wire-to-wire covers, [58696-0010](#) hood

DWG. NO. SD-58550-\*\*\*\*

部番  
NO.

部品名  
PARTS NAME

個数  
QUAN.

材質  
MATERIAL

①

ケーブル キャップ  
CABLE CAP

1

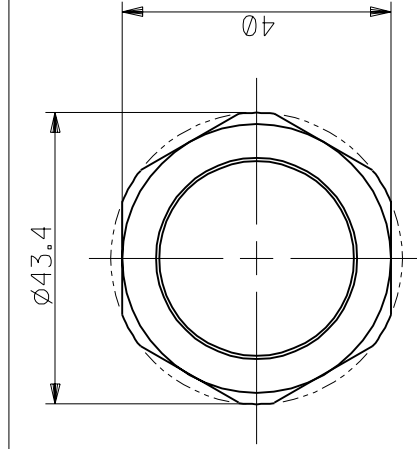
黄銅、ニッケルメッキ  
BRASS,NI-PLATING

②

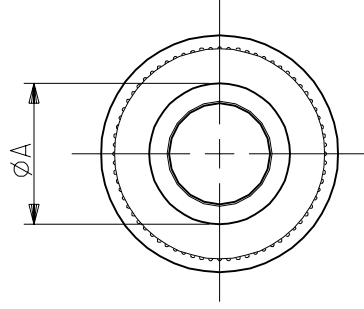
ブッシュ  
BUSH

1

ポリ塩化ビニル  
PVC



END BELL CAP



END BELL BUSH

角度	±3°
30以上	±0.3
10以上 30未満	±0.25
10未満	±0.2

一般公差

DIMENSIONS IN METRIC DO NOT SCALE DRAWING

黄 YELLOW	φ24~φ28	28	58550-0003
橙 ORANGE	φ20~φ25	25	58550-0002
茶 BROWN	φ17~φ21	21	58550-0001
青 BLUE	φ14~φ18	18	58550-0000
ブッシュ色 BUSH COLOR	適用電線径 WIRE SIZE	A	製品番号 ENG. NUMBER

記号 LTR	新規作成 RELEASED	S.A J.M	97/12/04	日付 DATE
	変更内容 REVISION RECORD	DR	CHK.	

材料 MATERIAL	表参照 SEE TABLE	CHK'D BY S. Adajama	尺度 SCALE	1-1
仕上げ FINISH	—#—	APP'D BY S. Adajama		
適用電線範囲 WIRE RANGE	—#—			
被覆外径 INS. RANGE	—#—			

MOLEX-JAPAN CO.,LTD. 日本モレックス株式会社	
REVISE ONLY ON CAD SYSTEM	
TITLE 名称 ROBOT CONN. END BELL CAP SET	
DWG. No.	REV
SD-58550-****	0

THIS DRAWING CONTAINS INFORMATION THAT IS PROPRIETARY TO MOLEX(JAPAN) AND SHOULD NOT BE USED WITHOUT WRITTEN PERMISSION  
本図面は日本モレックス(株)の所有する情報を含むもので当社の許可なく複製を禁止する。

58550.DWG

EN-01C032JMX11-33