

### Description

The YB1253 is a series of ultra-low-noise, high PSRR, and low quiescent current low dropout (LDO) linear regulators with 2.0% output voltage accuracy. The YB1253 regulators achieve a low 300mA dropout at 300mA load current of 3.6V output and are available in voltages ranging from 1.2V to 3.6V with 0.1 V per step (custom voltage is considerate at request).

The YB1253 regulators are optimized to work with low-ESR and low cost ceramic capacitors, reducing the amount of board space critical in portable devices. The YB1253 requires only 1.0 $\mu$ F output capacitor for stability with any load and consumes less than 1 $\mu$ A in shutdown mode.

Built-in thermal shutdown and short-circuit current limit offer secure protection against fault operation. YB1253 regulators also include an auto-discharge function. The YB1253 regulators are available in SOT-23 / SOT-25 / SOT-89 packages.

### Features

- High Accuracy Output Voltage :  $\pm 2\%$
- Wide Output Voltage Range : 1.2~3.6V
- Ultra-Low-Noise Low-Drop-Out
- Typical Output Current : 300 mA
- Low Quiescent Current:  $\sim 10\mu$ A
- 300mV Dropout at 300mA 3.6V Output
- Stable with 1.0 $\mu$ F Ceramic Capacitor
- Only Need Input and Output Capacitors
- Thermal Protection Shutdown
- Auto discharge function
- Green Package (RoHS) Available

### Applications

- PDA, Notebook, PC Computers
- DSC, Cellular phones
- PCMCIA Cards, PC Cameras
- USB Based Portable Devices
- GSM/GPRS/3G RF Transceiver
- Wireless LANs
- Bluetooth Portable Radios
- Battery-Powered Devices

### Typical Application Circuitry

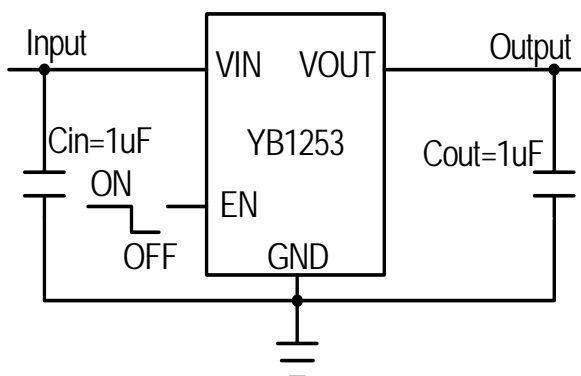


Figure 1-1 : SOT-25 application circuit

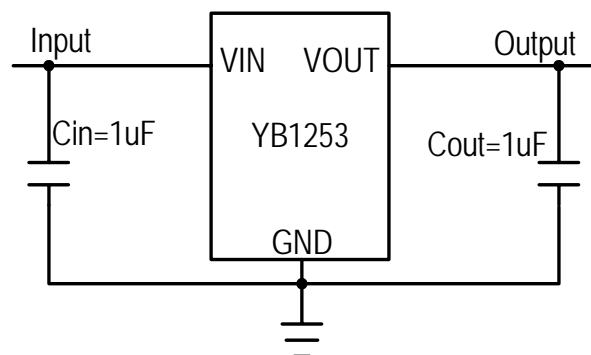


Figure 1-2 : SOT-23 application circuit

### Pin Configuration

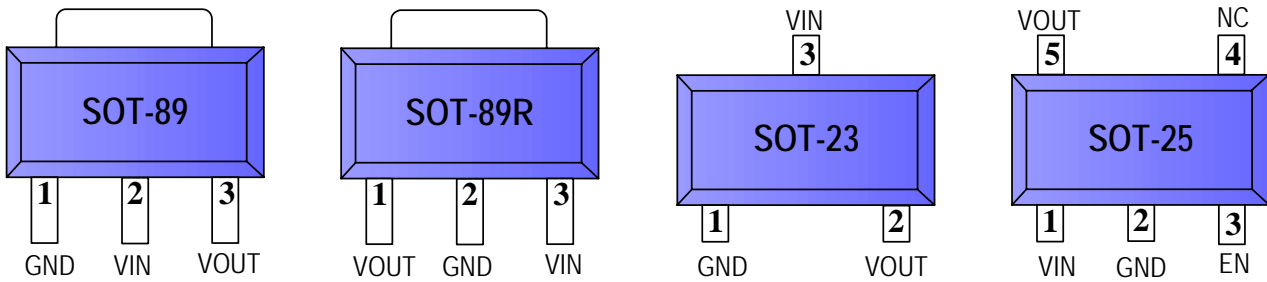


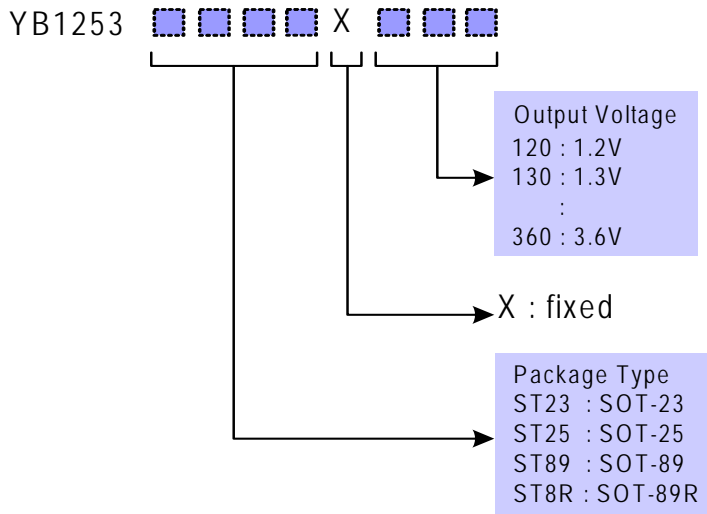
Figure 2 : pin configuration

### Pin Description

Table 1

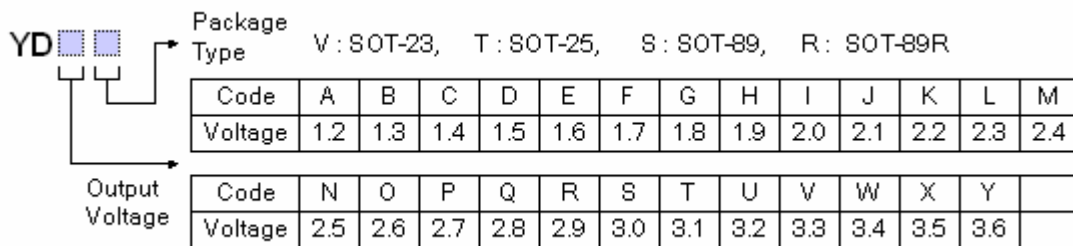
Pin Name	Pin Function
VIN	Unregulated Input Supply. Bypass with a capacitor to GND
GND	Ground pin
EN	Pull high to enable the regulator
NC	No connection is required
VOUT	Regulated Output Voltage

### Ordering Information



\*Order example :  
 YB1253 ST89X250 for YB1253 of  
 2.5V output and SOT-89 package  
 \*Shipping Quantity :  
 SOT-23 : 3000 units tape & reel  
 SOT-25 : 3000 units tape & reel  
 SOT-89 : 1000 units tape & reel  
 SOT-89R : 1000 units tape & reel  
 \*Only green package

### Marking Information



### Absolute Maximum Ratings (Note 1)

Supply Voltage ..... -0.3V to 6.0V  
 Output Voltage ..... -0.3V to (V<sub>IN</sub>+0.3V)  
 Output Short-Circuit Duration..... Infinite  
 Junction Temperature Range ..... +150°C  
 Storage Temperature Range ..... -65°C to +150°C  
 Lead Temperature ..... +250°C  
 ESD Susceptibility (HBM)..... 2KV  
 ESD Susceptibility (MM) ..... 200V

### Recommended Operating Conditions (Note 2)

Input Supply Voltage..... 2V to 5.5V  
 Operating Temperature..... -40°C to +85°C

### Thermal Information (Note 3)

Thermal Resistance (SOT-23/25, θ<sub>JA</sub>).....280°C/W  
 Thermal Resistance (SOT-89, θ<sub>JA</sub>).....180°C/W  
 Internal Power Dissipation (SOT-23/25, P<sub>D</sub>).....0.4W  
 Internal Power Dissipation (SOT-89, P<sub>D</sub>)0.55W

#### Note:

1. Exceeding these ratings may damage the device.
2. The device is not guaranteed to function outside of its operating conditions.
3. θ<sub>JA</sub> is measured in free air at T<sub>A</sub> = 25°C on a low effective thermal conductivity board.

## Electrical Characteristics

**Table 2**
 $T_A = 25^\circ\text{C}$ ,  $V_{IN} = (V_{OUT} + 1\text{V})$ ,  $C_{IN} = C_{OUT} = 1.0\mu\text{F}$ ,  $V_{EN} = V_{IN}$ , unless otherwise

Function Parameter	Conditions	Min	Typ	Max	Units
Input Voltage Range		2.0		5.5	V
Output Voltage, V <sub>OUT</sub>	Predefined	1.2		3.6	V
Output Voltage Accuracy	I <sub>OUT</sub> = 10mA, V <sub>OUT</sub> ≥ 1.3V	-2.0		+2.0	%
	I <sub>OUT</sub> = 10mA, V <sub>OUT</sub> = 1.2V	0		+4.0	%
Output Current Limit	Short-circuit output		500		mA
Dropout Voltage (Note 1)	V <sub>out</sub> = 3.6V, I <sub>out</sub> = 300 mA		300		mV
	V <sub>out</sub> = 3.3V, I <sub>out</sub> = 300 mA		350		
	V <sub>out</sub> = 2.8V, I <sub>out</sub> = 300 mA		430		
	V <sub>out</sub> = 1.8V, I <sub>out</sub> = 300 mA		600		
	V <sub>out</sub> = 1.2V, I <sub>out</sub> = 300 mA		900		
Ground Current	I <sub>ground</sub> = I <sub>in</sub> - I <sub>out</sub>		10		μA
Line Regulation	V <sub>in</sub> = (V <sub>out</sub> +1V) to 5.5V, I <sub>out</sub> = 10mA		0.10	0.20	%/V
Load Regulation	I <sub>out</sub> = 1mA to 300 mA		0.005	0.01	%/mA
Shutdown Supply Current	EN = V <sub>in</sub> =0V			1	μA
Ripple Rejection (PSRR)	(Note 2)		50		dB
Start Up Delay (Note 3)	R <sub>load</sub> =100ohm		200		μS
Shutdown Delay	R <sub>load</sub> =10K ohm, V <sub>OUT</sub> =1.5V		1		mS
	R <sub>load</sub> =10K ohm, V <sub>OUT</sub> =1.2V		1		mS
EN Logic Low Level	V <sub>in</sub> = 2.0V to 5.5V			0.4	V
EN Logic High Level	V <sub>in</sub> = 2.0V to 5.5V	1.2		V <sub>in</sub>	V
EN Input Bias Current	V <sub>in</sub> = EN = 3V		1.5		μA
Thermal Shutdown	Shutdown Temperature		160		°C
Thermal Hysteresis			20		°C

Note 1: The dropout voltage varies depending on output voltage selection. Dropout is defined as  $V_{IN}-V_{OUT}$  when  $V_{OUT}$  is 100mV below nominal  $V_{OUT}$  where  $V_{in}=V_{out} + 1V$  for nominal  $V_{OUT}$ .

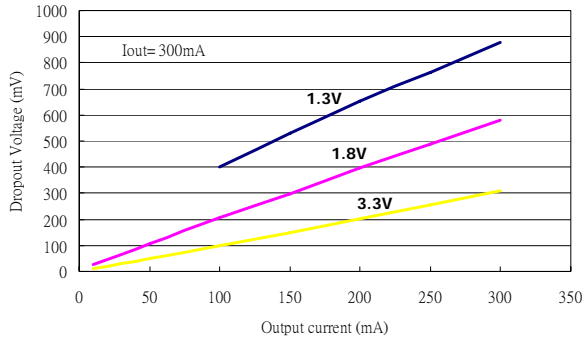
Note 2: PSRR is tested at  $V_{in}=3.8+1V_{ppac}$ ,  $V_{out}=2.8V$ ,  $I_{load}=1mA$ .

Note 3: Time needed for  $V_{OUT}$  to reach 90% of final value.

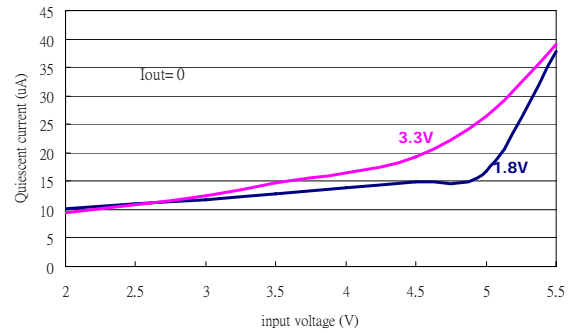
### Typical Characteristics

At  $T_A=25^\circ\text{C}$ ,  $V_{IN}=(V_{OUT}+1\text{V})$ ,  $C_{IN}=C_{OUT}=1.0\mu\text{F}$ ,  $V_{EN}=V_{IN}$ , unless otherwise noted.

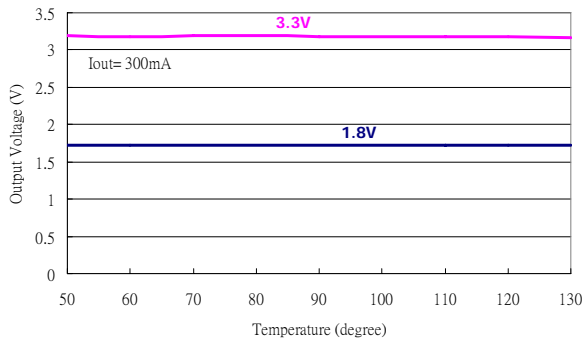
Output Current VS Dropout voltage



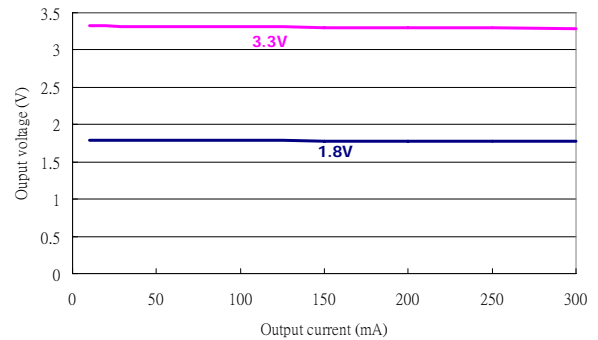
Input voltage VS Quiescent current



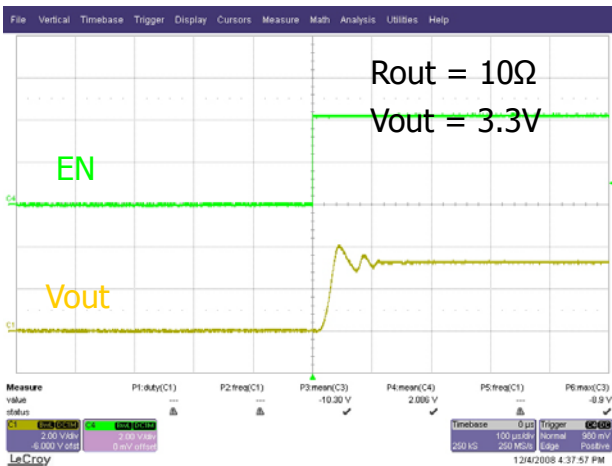
Output voltage VS Temperature



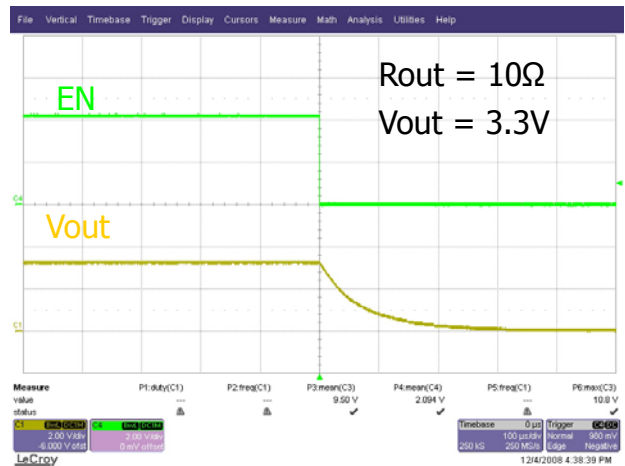
Output voltage VS Output current



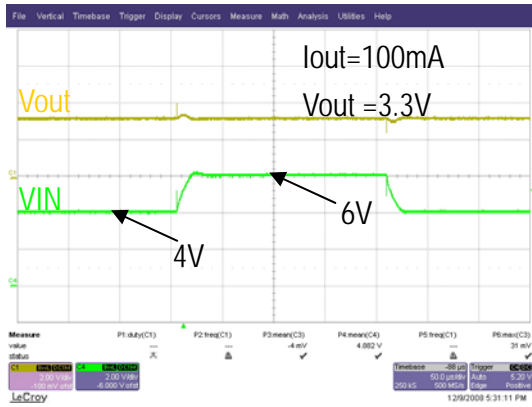
Startup delay time



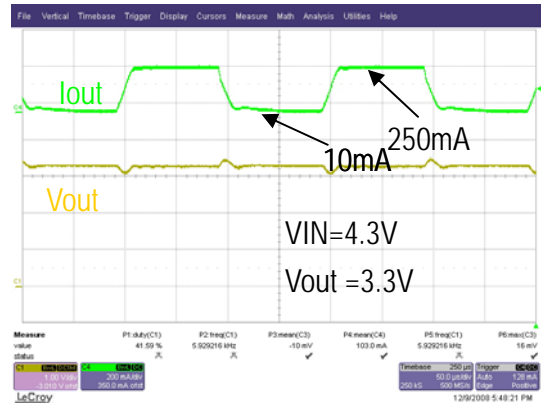
Shutdown delay time



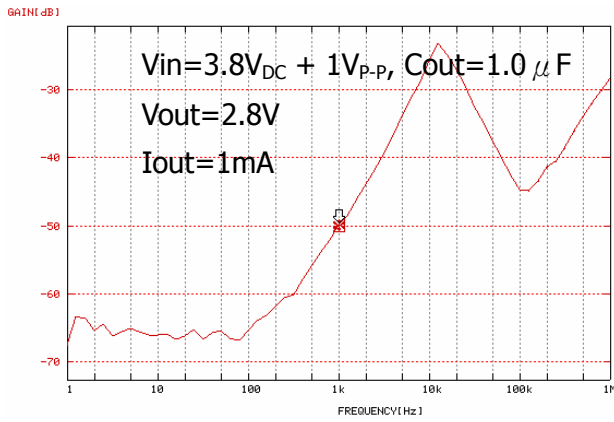
Input transient response



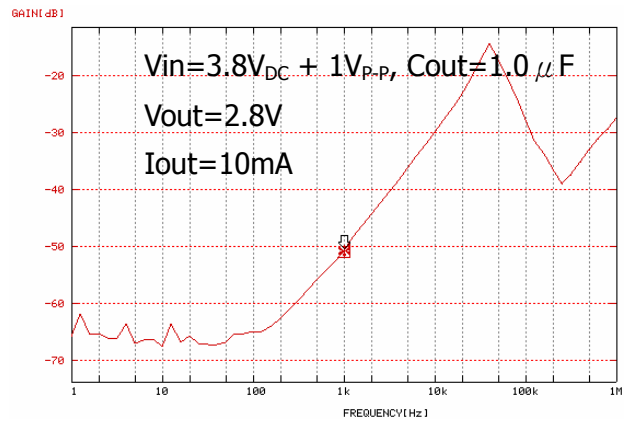
Load transient response



Power supply rejection ratio



Power supply rejection ratio



### Functional Block Diagram

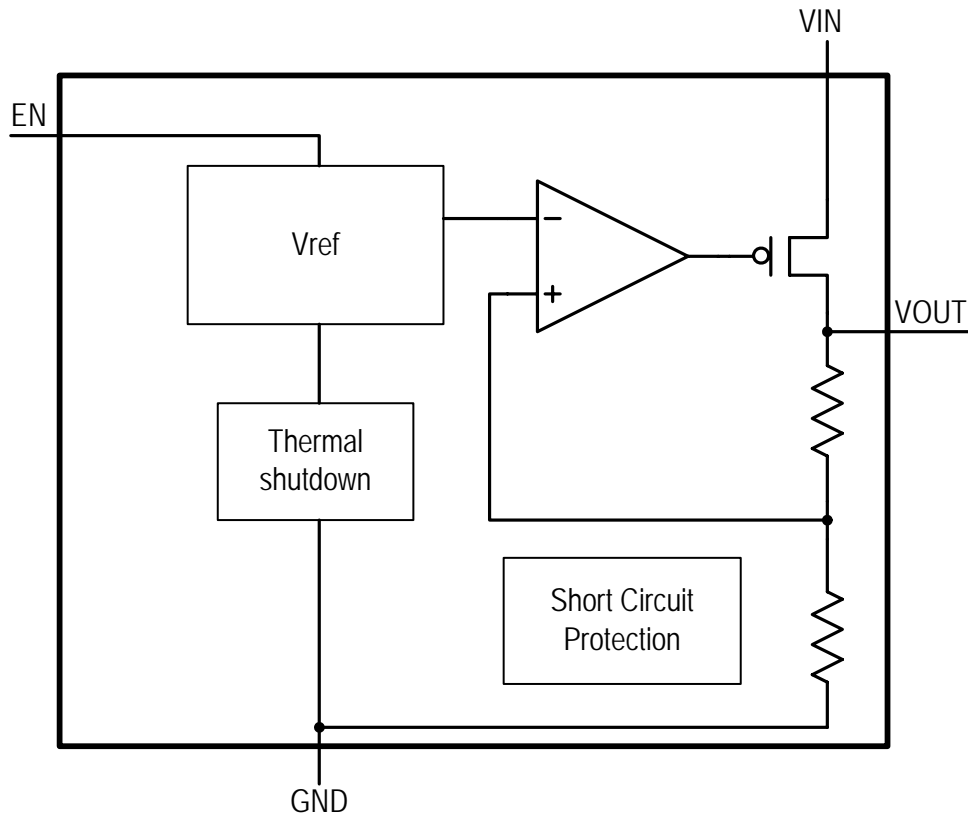


Figure 3 : Function diagram

### Functional Description

The YB1253 is an ultra-low-noise, low-quiescent current, low-dropout linear regulator. It is supplied in a SOT-23 / SOT-25 / SOT-89 package for different applications. YB1253 can supply load current up to 300mA (typical operation, not maximum) with good line and load regulation. Output voltages are preset and ranging from 1.2V to 3.6V.

As shown in the *Functional Block Diagram*, the YB1253 consists of a reference and noise bypass circuit, error amplifier, output drive transistor, internal feedback voltage divider, thermal sensor, and short circuit current limiter.

The internal reference is connected to the error amplifier's inverting input. The error amplifier compares this reference with the feedback voltage

and amplifies the difference. If the feedback voltage is lower than the reference voltage, the gate of the pass-transistor is pulled low. This allows more current to pass to the output and increases the output voltage. If the feedback voltage is too high, the gate of the pass transistor is pulled high, allowing less current to pass to the output.

#### Stability

The YB1253 is a high performance LDO emphasizing stability with low output capacitance. It is able to maintain stability with an output capacitor as low as 1.0 $\mu$ F. The output capacitor can also be increased to optimize performance. The YB1253 will remain stable and in regulation with no load, unlike many other voltage regulators.

### **Internal P-Channel Pass Transistor**

The YB1253 features a low impedance P-channel MOSFET pass transistor. This provides several advantages over similar designs using a PNP pass transistor, including low operating power and longer battery life. The YB1253 consumes only 10 $\mu$ A of quiescent current under most conditions.

### **Output Short-Circuit Current Limit**

The YB1253 includes a current limiter, which monitors and controls the pass transistor's gate voltage, limiting the output current to about 500mA, for example, in a short-circuit output situation.

### **Shutdown**

The YB1253 also features a low-power active shutdown mode. It has a switch that turns off the device when disabled. This allows the output capacitor and load to discharge and de-energize the load. In the shutdown mode, the internal functional blocks, such as voltage reference and the error amplifier are turned off completely, and the quiescent current is less than 1 $\mu$ A.

### **Thermal Protection Shutdown**

The thermal protection shutdown function protects the device from operating in over temperature condition. When the junction temperature exceeds +160 $^{\circ}$ C, the thermal sensor signals the shutdown logic, turning off the pass transistor and allowing the IC to cool down. The thermal sensor turns the pass transistor on again after the IC's junction temperature drops to +140 $^{\circ}$ C.

## **Application Information**

### **Enable/Shutdown**

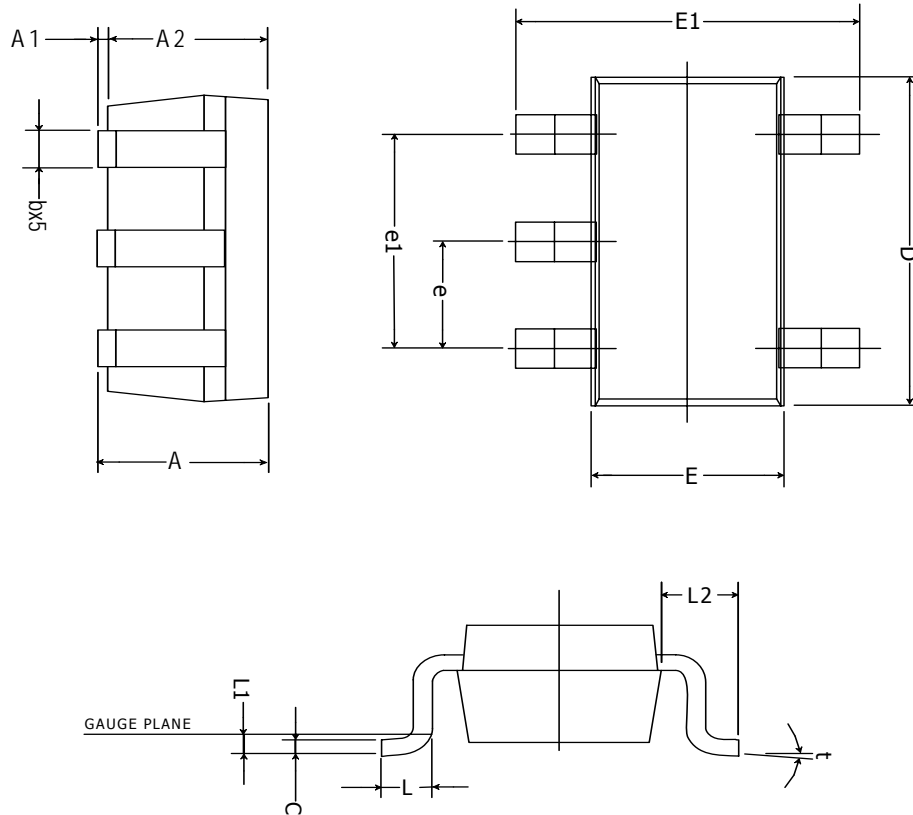
The YB1253 comes with an active-high enable pin that allows the regulator to be enabled. Forcing the enable pin low disables the regulator and puts it into the shutdown mode. This pin cannot be left floating as it may cause an undetermined state.

### **Input/Output Capacitor**

It is recommended to use a 1.0 $\mu$ F capacitor in the YB1253 input and a 1.0 $\mu$ F capacitor in the output. For high regulation performance, larger input capacitor values and lower ESRs provide better noise rejection and line-transient response. The output noise, load-transient response, stability, and power-supply rejection can be improved by using large output capacitors. Low ESR ceramic capacitors provide optimal performance and save space.

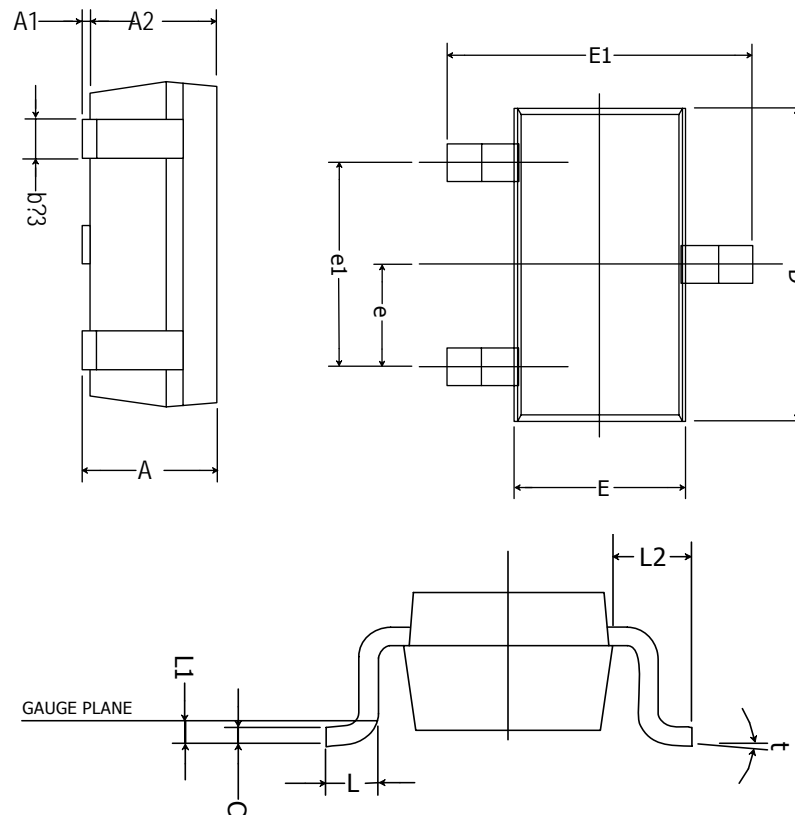


### SOT-25 Package Information



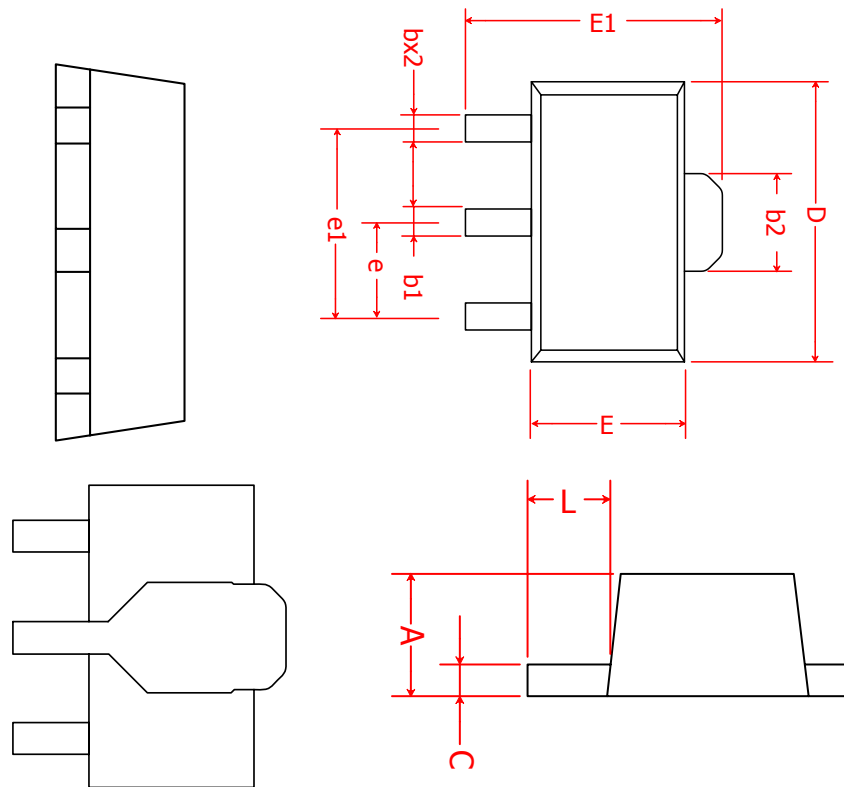
Symbol	millimeters		Inches	
	MIN.	MAX.	MIN.	MAX.
A	0.95	1.45	.037	.057
A1	0.05	0.15	.002	.006
A2	0.90	1.30	.035	.051
b	0.30	0.50	.0118	.019
C	0.08	0.20	.0031	.0078
D	2.84	3.00	.1118	.118
E	1.50	1.70	.059	.0669
E1	2.60	3.00	.102	.118
e	0.95 BSC.		.0374 BSC.	
e1	1.90 BSC.		.0748 BSC.	
L	0.35	0.55	.0137	.0216
L1	0.10 BSC.		.0039 BSC.	
L2	0.60 REF.		.0236 REF.	
t	0°	8°	0°	8°

### SOT-23 Package Information



Symbol	millimeters		Inches	
	MIN.	MAX.	MIN.	MAX.
A	0.95	1.45	.037	.057
A1	0.05	0.15	.002	.006
A2	0.90	1.30	.035	.051
b	0.30	0.50	.0118	.019
C	0.08	0.20	.0031	.0078
D	2.84	3.00	.1118	.118
E	1.50	1.70	.059	.0669
E1	2.60	3.00	.102	.118
e	0.95 BSC.		.0374 BSC.	
e1	1.90 BSC.		.0748 BSC.	
L	0.35	0.55	.0137	.0216
L1	0.10 BSC.		.0039 BSC.	
L2	0.60 REF.		.0236 REF.	
t	0°	8°	0°	8°

### SOT-89 Package Information



Symbol	millimeters		Inches	
	MIN.	MAX.	MIN.	MAX.
A	1.40	1.60	.055	.063
b	0.36	0.48	.014	.019
b1	0.44	0.56	.017	.022
b2	1.50	1.83	.059	.072
C	0.35	0.44	.014	.017
D	4.40	4.60	.173	.181
E	2.29	2.60	.090	.102
E1	3.94	4.25	.155	.167
e	1.50 BSC.		.059 BSC.	
e1	3.00 BSC.		.118 BSC.	
L	0.89	1.20	.035	.047