

RASIC™ - RTN7700

SiGe Automotive Radar VCO for 77GHz

THE RTN7700 IS A SILICONGERMANIUM (SiGe) VCO for automotive Long- and Mid-Range Radar (LRR/MRR) applications in the frequency range of 76-77GHz. It is the first world-wide available SiGe VCO based on 200 GHz ft B7HF200 . It includes on-chip pre-scalers as well as sensors for output power and temperature.

The RTN7700 delivers outstanding performance in both output power and signal to noise ratio (S/N) and is automotive qualified according to AEC-Q100.

ADDITIONAL derivatives with different mixer configurations are available.

Features

- High output power at 77GHz with power control
- On-chip test-logic (Tx dividers, temperature sensor, power sensor)
- Delivery is unpackaged bare-die

Key Benefits

- Built in AEC-Q100 qualified SiGe process
- Minimum number of components needed to build complete 77GHz RF frontend
- Power- and Temperature-Sensors allow in-operation monitoring

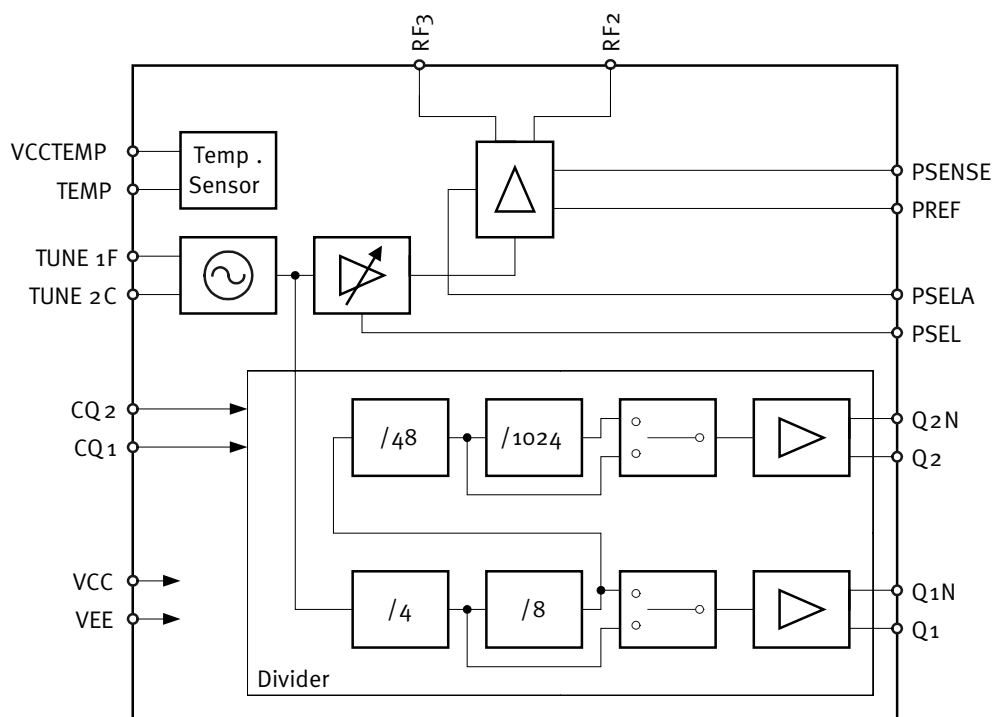
Product Summary

RTN7740 (bare die)	Min	Typ	Max	Comment
Supply current		400mA		Depending on active divider ratios
Output power		+11dBm		@ each transfer mixer pad RF2/RF3

RASIC™ - RTN7700

SiGe Automotive Radar VCO for 77GHz

Block Diagram RTN7700



How to reach us:
<http://www.infineon.com>

Published by
 Infineon Technologies AG
 81726 Munich, Germany

© 2008 Infineon Technologies AG
 All Rights Reserved.

Legal Disclaimer The information given in this Product Brief shall in no event be regarded as a guarantee of conditions or characteristics. With respect to any examples or hints given herein, any typical values stated herein and/or any information regarding the application of the device, Infineon Technologies hereby disclaims any and all warranties and liabilities of any kind, including without limitation, warranties of non-infringement of intellectual property rights of any third party.

Information For further information on technology, delivery terms and conditions and prices, please contact the nearest Infineon Technologies Office (www.infineon.com).

Warnings Due to technical requirements, components may contain dangerous substances. For information on the types in question, please contact the nearest Infineon Technologies Office. Infineon Technologies components may be used in life-support devices or systems only with the express written approval of Infineon Technologies, if a failure of such components can reasonably be expected to cause the failure of that life-support device or system or to affect the safety or effectiveness of that device or system. Life support devices or systems are intended to be implanted in the human body or to support and/or maintain and sustain and/or protect human life. If they fail, it is reasonable to assume that the health of the user or other persons may be endangered.