

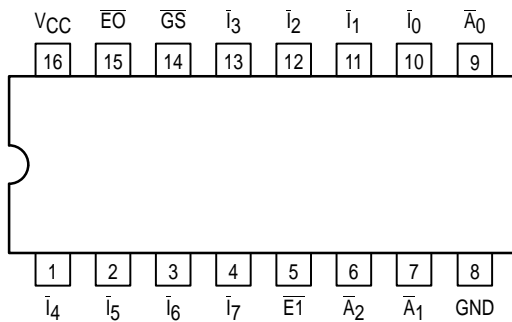


8-LINE TO 3-LINE PRIORITY ENCODER

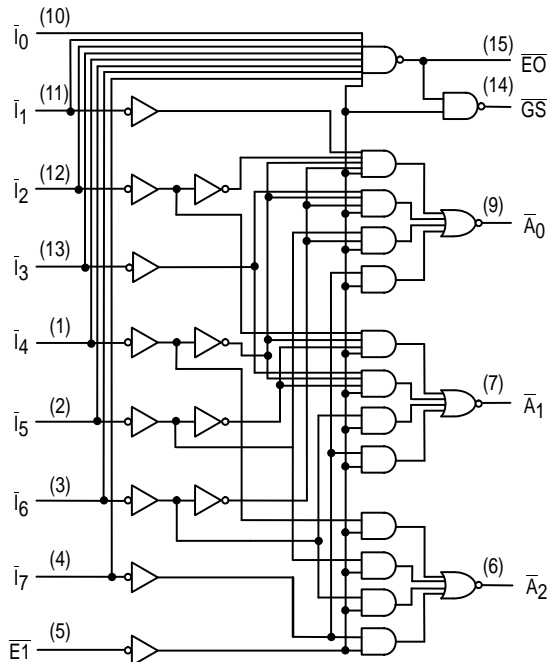
The MC54/74F148 provides three bits of binary coded output representing the position of the highest order active input, along with an output indicating the presence of any active input. It is easily expanded via input and output enables to provide priority encoding over many bits.

- Encodes Eight Data Lines in Priority
- Provides 3-Bit Binary Priority Code
- Input Enable Capability
- Signals When Data Present on Any Input
- Cascadable for Priority Encoding of n Bits

CONNECTION DIAGRAM DIP (TOP VIEW)



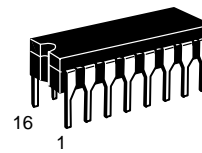
LOGIC DIAGRAM



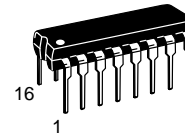
NOTE:
This diagram is provided only for the understanding of logic operations and should not be used to estimate propagation delays.

MC54/74F148

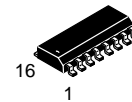
8-LINE TO 3-LINE PRIORITY ENCODER FAST™ SHOTTKY TTL



J SUFFIX
CERAMIC
CASE 620-09



N SUFFIX
PLASTIC
CASE 648-08

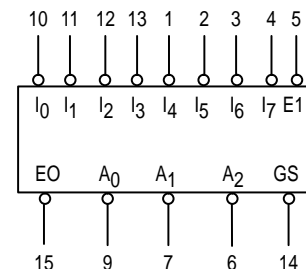


D SUFFIX
SOIC
CASE 751B-03

ORDERING INFORMATION

MC54FXXXJ	Ceramic
MC74FXXXN	Plastic
MC74FXXXD	SOIC

LOGIC SYMBOL



VCC = PIN 16
GND = PIN 8

MC54/74F148

GUARANTEED OPERATING RANGES

Symbol	Parameter		Min	Typ	Max	Unit
V _{CC}	Supply Voltage	54, 74	4.5	5.0	5.5	V
T _A	Operating Ambient Temperature Range	54	-55	25	125	°C
		74	0	25	70	
I _{OH}	Output Current — High	54, 74			-1.0	mA
I _{OL}	Output Current — Low	54, 74			20	mA

FUNCTIONAL DESCRIPTION

The F148 8-input priority encoder accepts data from eight active LOW inputs (\bar{I}_0 – \bar{I}_7) and provides a binary representation on the three active LOW outputs. A priority is assigned to each input so that when two or more inputs are simultaneously active, the input with the highest priority is represented on the output, with input line 7 having the highest priority. A HIGH on the Enable Input (\bar{E}_1) will force all outputs to the inactive (HIGH) state and allow new data to settle without producing

erroneous information at the outputs. A Group Signal output (\bar{GS}) and Enable Output (\bar{EO}) are provided along with the three priority data outputs ($\bar{A}_2, \bar{A}_1, \bar{A}_0$). \bar{GS} is active LOW when any input is LOW; this indicates when any input is active. \bar{EO} is active LOW when all inputs are HIGH. Using the Enable Output along with the Enable Input allows cascading for priority encoding on any number of input signals. Both \bar{EO} and \bar{GS} are in the inactive HIGH state when the Enable Input is HIGH.

FUNCTION TABLE

Inputs									Outputs				
\bar{E}_1	\bar{I}_0	\bar{I}_1	\bar{I}_2	\bar{I}_3	\bar{I}_4	\bar{I}_5	\bar{I}_6	\bar{I}_7	\bar{GS}	\bar{A}_0	\bar{A}_1	\bar{A}_2	\bar{EO}
H	X	X	X	X	X	X	X	X	H	H	H	H	H
L	H	H	H	H	H	H	H	H	H	H	H	H	L
L	X	X	X	X	X	X	X	L	L	L	L	L	H
L	X	X	X	X	X	X	L	H	L	H	L	L	H
L	X	X	X	X	X	L	H	H	L	L	H	L	H
L	X	X	L	H	H	H	H	H	L	H	L	H	H
L	X	L	H	H	H	H	H	H	L	L	H	H	H
L	L	H	H	H	H	H	H	H	L	H	H	H	H

H = HIGH Voltage Level; L = LOW Voltage Level; X = Don't Care

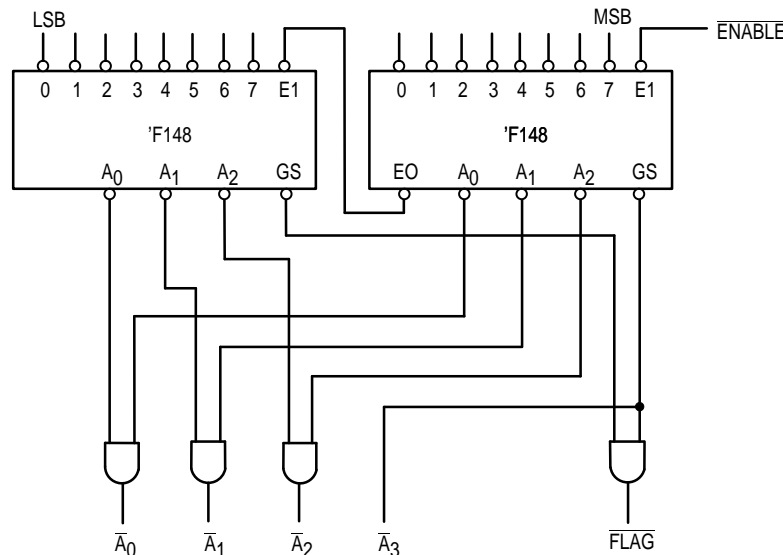


Figure 1. Application: 16-Input Priority Encoder

MC54/74F148

DC CHARACTERISTICS OVER OPERATING TEMPERATURE RANGE (unless otherwise specified)

Symbol	Parameter	Limits			Unit	Test Conditions	
		Min	Typ	Max			
V _{IH}	Input HIGH Voltage	2.0			V	Guaranteed Input HIGH Voltage	
V _{IL}	Input LOW Voltage			0.8	V	Guaranteed Input LOW Voltage	
V _{IK}	Input Clamp Diode Voltage			-1.2	V	I _{IN} = -18 mA	V _{CC} = MIN
V _{OH}	Output HIGH Voltage	54, 74	2.5	3.4	V	I _{OH} = -1.0 mA	V _{CC} = 4.50 V
		74	2.7	3.4	V	I _{OH} = -1.0 mA	V _{CC} = 4.75 V
V _{OL}	Output LOW Voltage		0.35	0.5	V	I _{OL} = 20 mA	V _{CC} = MIN
I _{IH}	Input HIGH Current			20	μA	V _{CC} = MAX, V _{IN} = 2.7 V	
				100	μA	V _{CC} = MAX, V _{IN} = 7.0 V	
I _{IL}	$\bar{I}_0, \bar{E}1$			-0.6	mA	V _{CC} = MAX, V _{IN} = 0.5 V	
	$\bar{I}_1\text{--}\bar{I}_7$			-1.2	mA		
I _{OS}	Output Short Circuit Current (Note 2)	-60		-150	mA	V _{CC} = MAX, V _{OUT} = 0 V	
I _{CC}	Power Supply Current		23	35	mA	V _{CC} = MAX, V _{IN} = 4.5 V	

NOTES:

- For conditions shown as MIN or MAX, use the appropriate value specified under guaranteed operating ranges.
- Not more than one output should be shorted at a time, nor for more than 1 second.

AC CHARACTERISTICS

Symbol	Parameter	54/74F			54F		74F		Unit
		T _A = +25°C V _{CC} = +5.0 V C _L = 50 pF			T _A = -55°C to +125°C V _{CC} = 5.0 V ± 10% C _L = 50 pF		T _A = 0°C to 70°C V _{CC} = 5.0 V ± 10% C _L = 50 pF		
		Min	Typ	Max	Min	Max	Min	Max	
t _{PLH}	Propagation Delay	3.5	7.0	9.0	3.5	11	3.5	10	ns
t _{PHL}	\bar{I}_n to \bar{A}_n	4.0	8.0	10.5	4.0	13	4.0	12	
t _{PLH}	Propagation Delay	2.5	5.0	6.5	2.5	8.5	2.5	7.5	ns
t _{PHL}	\bar{I}_n to $\bar{E}0$	2.0	5.5	7.5	2.0	9.5	2.0	8.5	
t _{PLH}	Propagation Delay	3.0	7.0	9.0	3.0	11	3.0	10	ns
t _{PHL}	\bar{I}_n to $\bar{G}S$	2.0	6.0	8.0	2.0	10	2.0	9.0	
t _{PLH}	Propagation Delay	3.5	6.5	8.5	3.5	10.5	3.5	9.5	ns
t _{PHL}	$\bar{E}1$ to \bar{A}_n	3.0	6.0	8.0	3.0	10	3.0	9.0	
t _{PLH}	Propagation Delay	2.5	5.0	7.0	2.5	9.0	2.5	8.0	ns
t _{PHL}	$\bar{E}1$ to $\bar{G}S$	3.0	6.0	7.5	3.0	10	3.0	8.5	
t _{PLH}	Propagation Delay	3.0	5.5	7.0	3.0	9.0	3.0	8.0	ns
t _{PHL}	$\bar{E}1$ to $\bar{E}0$	4.5	8.0	10.5	4.5	13	4.5	12	