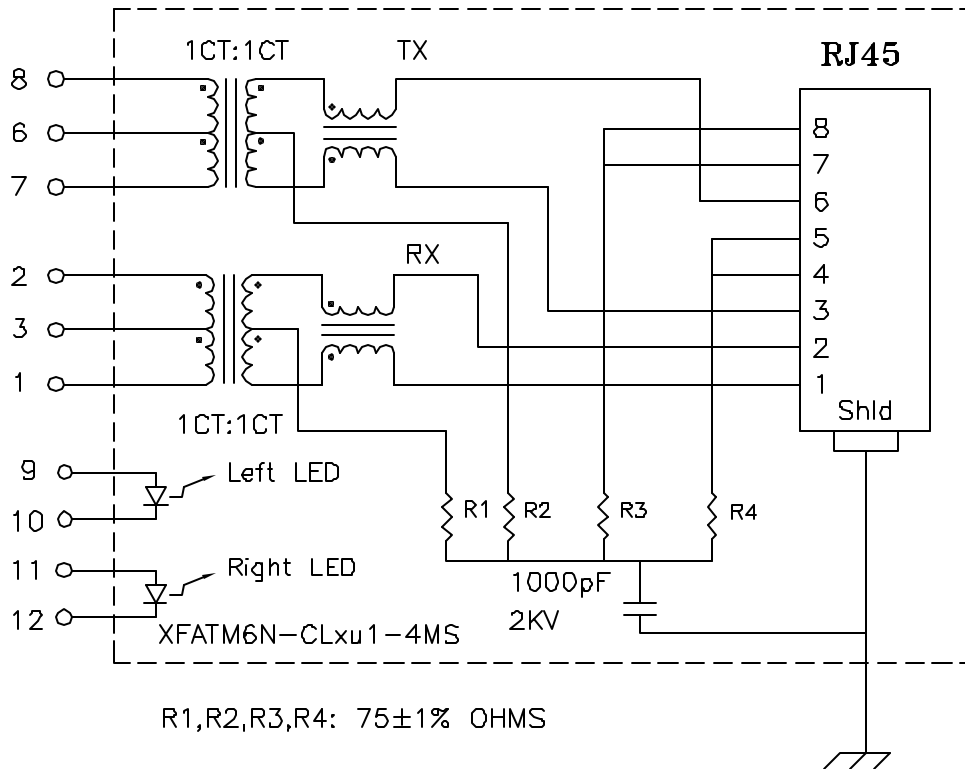


Schematic:



Electrical Specifications: @25°C

Isolation Voltage: 1500 Vrms (Input to Output)

Isolation Voltage: 500 Vrms (P1+2+3 to P6+7+8)

Turns Ratio: TX 1CT:1CT ±3% RX 1CT:1CT ±3%

CABLE SIDE OCL: 350uH Minimum @100KHz 100mV 8mADC

Cw/w: 27pF Typical @100KHz 100mV

Insertion Loss (300KHz-100MHz): -1.0dB Max

Return Loss: @30MHz -18dB Minimum

@80MHz -12dB Minimum

Complete the Combo P/N as follows:

Replace 'x' & 'u' in the part number with one of the LED color letters:

Y=Yellow

G=Green

A=Amber

R=Red

C=Green(1)/Amber(2) Bicolor

D=Amber(1)/Green(2) Bicolor

M=Green(1)/Yellow(2) Bicolor

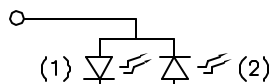
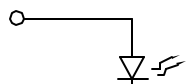
N=Yellow(1)/Green(2) Bicolor

P=Red(1)/Green(2) Bicolor

Q=Green(1)/Red(2) Bicolor

Single Color LED:

Bi-Color LED:



DOC REV: A/4

Notes:

1. Solderability: Leads shall meet MIL-STD-202C, Method 208H for solderability.
2. Flammability: UL94V-0
3. ASTM oxygen index > 28%
4. Insulation System: Class F 155°C. UL file E151556
5. Operating Temperature Range: All listed parameters are to be within tolerance from -40°C to +85°C
6. Storage Temperature Range: -55°C to +125°C
7. Aqueous wash compatible
8. Electrical and mechanical specifications 100% tested
9. RoHS Compliant Component

XFMRs Inc.
www.XFMRs.com

Title: **SINGLE PORT COMBO**

UNLESS OTHERWISE SPECIFIED

P/N: XFATM6N-CLxu1-4MS

REV. A

TOLERANCES:

.xxx ±0.010

Dimensions in Inch

DWN.

Kang Chen

Jan-18-06

CHK.

YK Liao

Jan-18-06

SHEET 1 OF 2

APP.

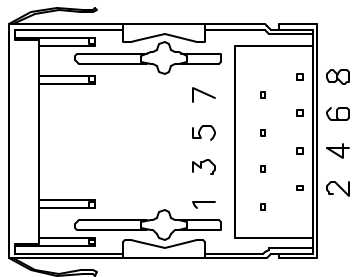
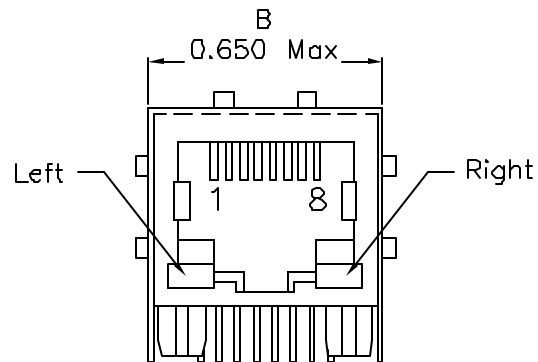
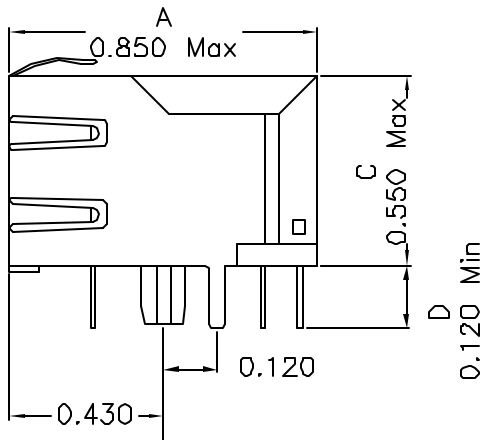
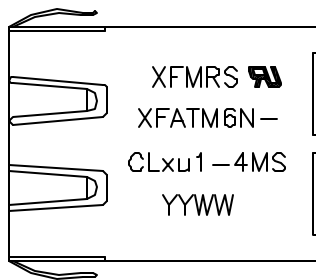
BW

Jan-18-06

PROPRIETARY:

Document is the property of XFMRs Group & is not allowed to be duplicated without authorization.

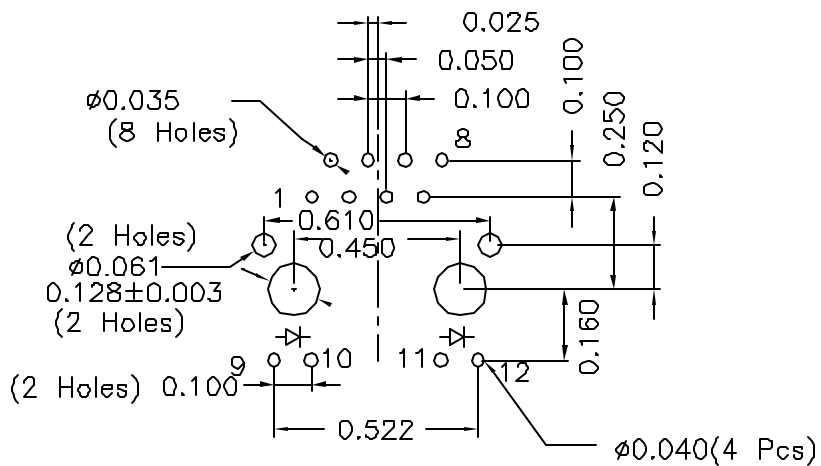
Mechanical Dimensions:



(BOTTOM VIEW)

Mounting Pattern:

(COMP SIDE)



PCB Layout Tolerance: ± 0.002 unless otherwise stated.

DOC REV: A/4

XFMRS Inc. www.XFMRS.com	Title: Mechanical Dimensions For CLxu1-4MS Series		
	UNLESS OTHERWISE SPECIFIED TOLERANCES: .xxx ± 0.010 Dimensions in Inch	P/N: XFATM6N-CLxu1-4MS	REV. A
	DWN.	Kang Chen	Jan-18-06
	CHK.	YK Liao	Jan-18-06
SHEET 2 OF 2	APP.	BW	Jan-18-06

PROPRIETARY:

Document is the property of XFMRS Group & is not allowed to be duplicated without authorization.