

PLEASE CHECK WWW.MOLEX.COM FOR LATEST PART INFORMATION

Part Number: [0878981826](#)
Status: **Active**
Overview: [kk](#)
Description: 2.54mm (.100") Pitch KK® Header, Surface Mount, Breakaway, Vertical, 18 Circuits, Tin (Sn) Overall Plating, Tube Packaging, without Cap, Lead- free

Documents:

[3D Model](#) [RoHS Certificate of Compliance \(PDF\)](#)
[Drawing \(PDF\)](#)

General

| | |
|----------------|-------------------------------|
| Product Family | PCB Headers |
| Series | 87898 |
| Application | Board-to-Board, Wire-to-Board |
| Overview | kk |
| Product Name | KK® |

Physical

| | |
|--------------------------------|-----------------|
| Breakaway | Yes |
| Circuits (Loaded) | 18 |
| Circuits (maximum) | 18 |
| Color - Resin | Black |
| First Mate / Last Break | No |
| Glow-Wire Compliant | No |
| Guide to Mating Part | No |
| Keying to Mating Part | None |
| Lock to Mating Part | None |
| Material - Metal | Copper Alloy |
| Material - Plating Mating | Tin |
| Material - Plating Termination | Tin |
| Material - Resin | Nylon |
| Number of Rows | 1 |
| Orientation | Vertical |
| PCB Locator | No |
| PCB Retention | None |
| Packaging Type | Tube |
| Pitch - Mating Interface (in) | 0.100 In |
| Pitch - Mating Interface (mm) | 2.54 mm |
| Pitch - Term. Interface (in) | 0.100 In |
| Pitch - Term. Interface (mm) | 2.54 mm |
| Polarized to Mating Part | No |
| Polarized to PCB | No |
| Robotic Placement | None |
| Shrouded | No |
| Stackable | No |
| Temperature Range - Operating | -55°C to +105°C |
| Termination Interface: Style | Surface Mount |

Electrical

| | |
|-------------------------------|------|
| Current - Maximum per Contact | 3A |
| Voltage - Maximum | 250V |

Solder Process Data

| | |
|--|---------------------------|
| Duration at Max. Process Temperature (seconds) | 10 |
| Lead-free Process Capability | Reflow Capable (SMT only) |
| Max. Cycles at Max. Process Temperature | 3 |

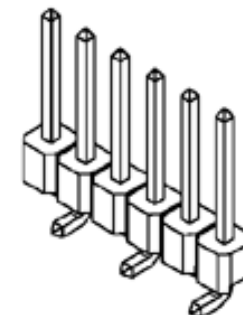


image - Reference only

Series

EU RoHS

ELV and RoHS Compliant
REACH SVHC
 Not Reviewed
Halogen-Free
Status
Not Reviewed

China RoHS



Need more information on product environmental compliance?

Email productcompliance@molex.com
 For a multiple part number RoHS Certificate of Compliance, [click here](#)

Please visit the [Contact Us](#) section for any non-product compliance questions.

Search Parts in this Series

[87898Series](#)

Mates With

KK® PCB Receptacles [4455](#). SL™ IDT Housings [70430](#) , [7720](#), [70400](#). C-Grid® PCB Receptacles [90147](#), [90148](#)

Process Temperature max. C 260

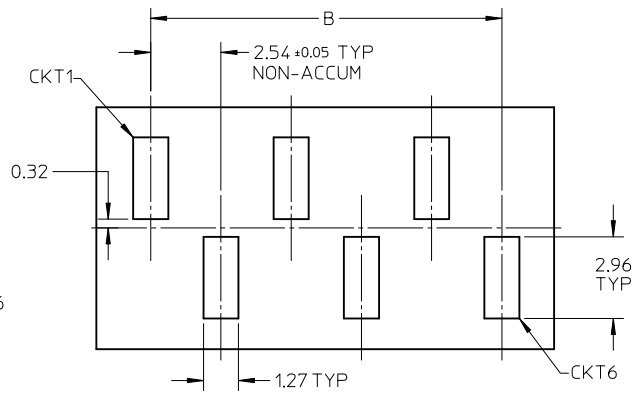
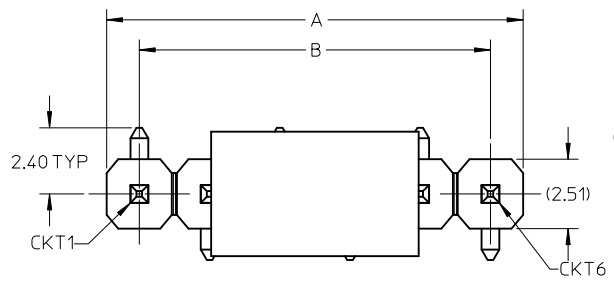
Material Info

Reference - Drawing Numbers

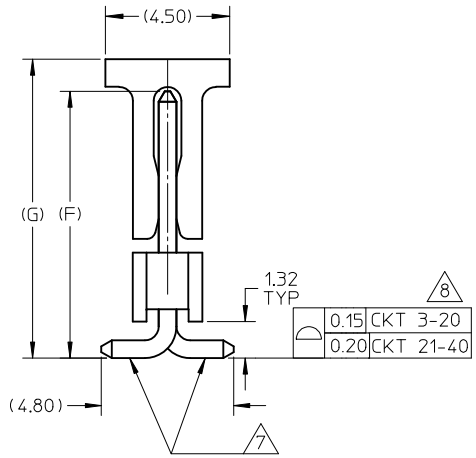
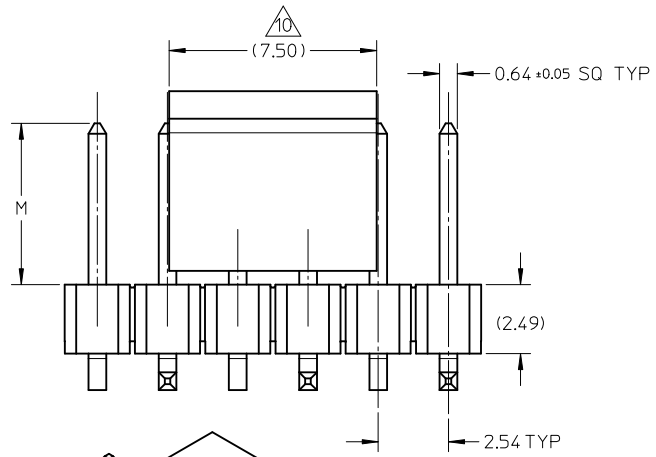
Packaging Specification PK-89990-545
Sales Drawing SD-87898-001

This document was generated on 05/25/2010

PLEASE CHECK WWW.MOLEX.COM FOR LATEST PART INFORMATION

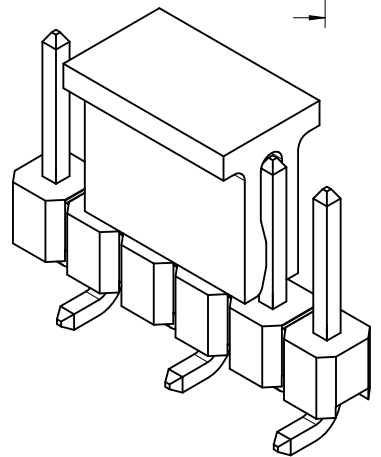


RECOMMENDED PCB LAYOUT: COMPONENT SIDE



NOTES:

1. MATERIAL:
 - HSG: NYLON, GLASS-FILLED, UL94V-0, COLOR: BLACK
 - CAP: NYLON, GLASS-FILLED, UL94V-0, COLOR: BLACK
 - PIN: 0.64MM SQ, COPPER ALLOY
2. PLATING TYPE:
 - (1) GOLD FLASH OVER
1.25µm MIN. NICKEL OVERALL.
 - (2) GOLD FLASH ON CONTACT AND
2.50µm MIN. TIN ON SOLDER TAIL OVER
1.25µm MIN. NICKEL OVERALL.
 - (4) 0.38µm MIN. GOLD PLATE ON CONTACT AND
2.00µm MIN. TIN ON SOLDER TAIL OVER
1.25µm MIN. NICKEL OVERALL.
 - (5) 0.75µm MIN. GOLD PLATE ON CONTACT AND
2.00µm MIN. TIN ON SOLDER TAIL OVER
1.25µm MIN. NICKEL OVERALL.
 - (6) 2.50µm MIN. TIN OVERALL
1.25µm MIN. NICKEL OVERALL
3. PRODUCT SPECIFICATION: PS-87920-019
4. PACKAGING TYPE: SEE TABLE
5. PACKAGING SPEC:
 - TUBE WITH CAP VERSION: PK-89990-558
 - TUBE W/O CAP VERSION: PK-89990-545
 - EMBOSS TAPE WITH CAP: PK-89990-486
6. WAFER TO BE FLAT WITHIN 0.003 mm/mm
7. BEND DEPRESSION IS ACCEPTED SO LONG AS IT DOES NOT AFFECT THE OVERALL COPLANARITY OF TAIL
8. COPLANARITY IS TO BE MEASURED BY RESTING THE SOLDER TAIL ON A FLAT SURFACE
9. IRREGULAR CIRCUIT CUTOFF WITHIN BREAKAWAY SECTION IS PERMISSIBLE. CUTTING OR CHIPPING OF THE MAIN BODY IS NOT ACCEPTABLE
10. CAP LOCATION IS CENTERED ALONG THE MATING ENDS AS SHOWN. TOP SURFACE OF CAP TO BE FLAT FOR THE PURPOSE OF PICK & PLACE BY VACUUM SUCTION NOZZLE
11. RECOMMENDED PCB THICKNESS IS 1.60mm±0.10
12. THE ABOVE CKT 6 IS FOR ILLUSTRATION PURPOSE ONLY
13. TUBE LENGTH AS PER STANDARD 560mm



| | | | | | | | | | | | |
|---|---|---------------------------------------|----------------------|-----------------------------------|---------------------|---|------------------------|------------------------|--|------------------------------|----------------------|
| EWR#1228, +0209 EC NO: S2010-0966 DRW:ATSEE 2010/05/20 CHK:DPILM 2005/03/29 APPR:MLONG 2010/06/08 | QUALITY SYMBOLS $F_{\Delta} = 0$ $F_{\Delta} = 0$ $F_{\Delta} = 0$ | GENERAL TOLERANCES (UNLESS SPECIFIED) | | DIMENSION STYLE MM ONLY | | SCALE NTS | DESIGN UNITS METRIC | THIRD ANGLE PROJECTION | | | |
| | | 4 PLACES ± --- ± --- | 3 PLACES ± --- ± --- | 2 PLACES ± 0.2 ± --- | 1 PLACE ± --- ± --- | mm INCH | DRAWN BY YLQIAO | DATE 2005/03/14 | TITLE CUSTOM HEADER 2.54MM PITCH SINGLE ROW SINGLE WAFER SMT HEADER | | |
| | | ANGULAR ± 3° | | | | DRAFT WHERE APPLICABLE MUST REMAIN WITHIN DIMENSIONS | | CHECKED BY PTLIM | DATE 2005/03/29 | MOLEX INCORPORATED | |
| | | REV B3 | | DESCRIPTION | | APPROVED BY MLONG | | DATE 2010/03/10 | MATERIAL NO. SEE TABLE | DOCUMENT NO. SD-87898-001 | SHEET NO. 1 OF 20 |

PACKAGING OPTION PART NO.

| TRAY WITHOUT CAP | TRAY WITH CAP | TUBE WITHOUT CAP | TUBE WITH CAP | TAPE & REEL WITHOUT CAP | TAPE & REEL WITH CAP | CKT SIZE | VOID POSITION | PLATING TYPE | DIMENSION | | | | |
|------------------|---------------|------------------|---------------|-------------------------|----------------------|----------|---------------|--------------|-----------|------|-------|------|------|
| | | | | | | | | | A | B | G | F | M |
| 87898-0204 | ----- | ----- | ----- | ----- | ----- | 2 | ---- | 4 | 5.08 | 2.54 | 10.81 | 9.65 | 5.84 |
| 87898-0207 | ----- | ----- | ----- | ----- | ----- | 2 | ---- | 5 | 5.08 | 2.54 | 10.81 | 9.65 | 5.84 |
| ----- | ----- | ----- | 89990-0208 | ----- | 87898-0209 | 2 | ---- | 6 | 5.08 | 2.54 | 10.81 | 9.65 | 5.84 |
| 87898-0301 | ----- | ----- | ----- | ----- | ----- | 3 | ---- | 1 | 7.62 | 5.08 | 10.81 | 9.65 | 5.84 |
| 87898-0302 | ----- | ----- | ----- | ----- | ----- | 3 | ---- | 2 | 7.62 | 5.08 | 10.81 | 9.65 | 5.84 |
| 87898-0304 | ----- | ----- | ----- | ----- | ----- | 3 | ---- | 4 | 7.62 | 5.08 | 10.81 | 9.65 | 5.84 |
| 87898-0305 | ----- | ----- | ----- | ----- | ----- | 3 | ---- | 5 | 7.62 | 5.08 | 10.81 | 9.65 | 5.84 |
| 87898-0306 | ----- | ----- | ----- | ----- | ----- | 3 | ---- | 6 | 7.62 | 5.08 | 10.81 | 9.65 | 5.84 |

| | | | | | | | | | | |
|---|--|---------------------------------------|--|-----------------------------------|---|--------------------|------------------------------|------------------------|----------------------|--|
| EWB#1228, +0209 EC NO: S2010-0966 DRW:ATSEE 2010/05/20 CHKD:PTLIM 2005/03/29 APPR:MLONG 2010/06/08 | QUALITY SYMBOLS $F_A=0$ $F_G=0$ $F_P=0$ | GENERAL TOLERANCES (UNLESS SPECIFIED) | | DIMENSION STYLE MM ONLY | | SCALE NTS | DESIGN UNITS METRIC | THIRD ANGLE PROJECTION | | |
| | | | mm | INCH | DRAWN BY YLQIAO | DATE 2005/03/14 | TITLE CUSTOM HEADER | | | |
| | | 4 PLACES | ± --- | ± --- | CHECKED BY PTLIM | DATE 2005/03/29 | 2.54MM PITCH SINGLE ROW | | | |
| | | 3 PLACES | ± --- | ± --- | APPROVED BY MLONG | DATE 2010/03/10 | SINGLE WAFER SMT HEADER | | | |
| 2 PLACES | ± 0.2 | ± --- | ANGULAR ± 3 ° | | MATERIAL NO. SEE TABLE | | DOCUMENT NO. SD-87898-001 | | SHEET NO. 2 OF 20 | |
| 1 PLACE | ± --- | ± --- | DRAFT WHERE APPLICABLE MUST REMAIN WITHIN DIMENSIONS | | THIS DRAWING CONTAINS INFORMATION THAT IS PROPRIETARY TO MOLEX INCORPORATED AND SHOULD NOT BE USED WITHOUT WRITTEN PERMISSION | | | | | |

10 9 8 7 6 5 4 3 2 1

| PACKAGING OPTION PART NO. | | | | | | CKT SIZE | VOID POSITION | PLATING TYPE | DIMENSION | | | | |
|---------------------------|---------------|------------------|---------------|-------------------------|----------------------|----------|---------------|--------------|-----------|-------|-------|------|------|
| TRAY WITHOUT CAP | TRAY WITH CAP | TUBE WITHOUT CAP | TUBE WITH CAP | TAPE & REEL WITHOUT CAP | TAPE & REEL WITH CAP | | | | A | B | G | F | M |
| ----- | ----- | 87898-0421 | 87898-0431 | ----- | 87898-0451 | 4 | ----- | 1 | 10.16 | 7.62 | 10.81 | 9.65 | 5.84 |
| ----- | ----- | 87898-0422 | 87898-0432 | ----- | 87898-0452 | 4 | ----- | 2 | 10.16 | 7.62 | 10.81 | 9.65 | 5.84 |
| ----- | ----- | 87898-0424 | 87898-0434 | ----- | 87898-0454 | 4 | ----- | 4 | 10.16 | 7.62 | 10.81 | 9.65 | 5.84 |
| ----- | ----- | 87898-0425 | 87898-0435 | ----- | 87898-0455 | 4 | ----- | 5 | 10.16 | 7.62 | 10.81 | 9.65 | 5.84 |
| ----- | ----- | 87898-0426 | 87898-0436 | ----- | 87898-0456 | 4 | ----- | 6 | 10.16 | 7.62 | 10.81 | 9.65 | 5.84 |
| ----- | ----- | 87898-0521 | 87898-0531 | ----- | 87898-0551 | 5 | ----- | 1 | 12.70 | 10.16 | 10.81 | 9.65 | 5.84 |
| ----- | ----- | 87898-0522 | 87898-0532 | ----- | 87898-0552 | 5 | ----- | 2 | 12.70 | 10.16 | 10.81 | 9.65 | 5.84 |
| ----- | ----- | 87898-0524 | 87898-0534 | ----- | 87898-0554 | 5 | ----- | 4 | 12.70 | 10.16 | 10.81 | 9.65 | 5.84 |
| ----- | ----- | 87898-0525 | 87898-0535 | ----- | 87898-0555 | 5 | ----- | 5 | 12.70 | 10.16 | 10.81 | 9.65 | 5.84 |
| ----- | ----- | 87898-0526 | 87898-0536 | ----- | 87898-0556 | 5 | ----- | 6 | 12.70 | 10.16 | 10.81 | 9.65 | 5.84 |
| ----- | ----- | 87898-0621 | 87898-0631 | ----- | 87898-0651 | 6 | ----- | 1 | 15.24 | 12.70 | 10.81 | 9.65 | 5.84 |
| ----- | ----- | 87898-0622 | 87898-0632 | ----- | 87898-0652 | 6 | ----- | 2 | 15.24 | 12.70 | 10.81 | 9.65 | 5.84 |
| ----- | ----- | 87898-0624 | 87898-0634 | ----- | 87898-0654 | 6 | ----- | 4 | 15.24 | 12.70 | 10.81 | 9.65 | 5.84 |
| ----- | ----- | 87898-0625 | 87898-0635 | ----- | 87898-0655 | 6 | ----- | 5 | 15.24 | 12.70 | 10.81 | 9.65 | 5.84 |
| ----- | ----- | 87898-0626 | 87898-0636 | ----- | 87898-0656 | 6 | ----- | 6 | 15.24 | 12.70 | 10.81 | 9.65 | 5.84 |

| | | | | | | | | | | | | | |
|-------|-------|------------|------------|-------|------------|---|-------|---|-------|-------|-------|------|------|
| ----- | ----- | 87898-0621 | 87898-0631 | ----- | 87898-0651 | 6 | ----- | 1 | 15.24 | 12.70 | 10.81 | 9.65 | 5.84 |
| ----- | ----- | 87898-0622 | 87898-0632 | ----- | 87898-0652 | 6 | ----- | 2 | 15.24 | 12.70 | 10.81 | 9.65 | 5.84 |
| ----- | ----- | 87898-0624 | 87898-0634 | ----- | 87898-0654 | 6 | ----- | 4 | 15.24 | 12.70 | 10.81 | 9.65 | 5.84 |
| ----- | ----- | 87898-0625 | 87898-0635 | ----- | 87898-0655 | 6 | ----- | 5 | 15.24 | 12.70 | 10.81 | 9.65 | 5.84 |
| ----- | ----- | 87898-0626 | 87898-0636 | ----- | 87898-0656 | 6 | ----- | 6 | 15.24 | 12.70 | 10.81 | 9.65 | 5.84 |

| | | | | | | | | | | | |
|---|---|---------------------------------------|-------|--|-------|---|------------------------|---|--|--|--|
| EWR#1228, +0209 EC NO: S2010-0966 DRW:ATSEE 2010/05/20 CHKD:PTLIM 2005/03/29 APPR:MLONG 2010/06/08 | QUALITY SYMBOLS $\nabla_A = 0$ $\nabla_B = 0$ $\nabla_F = 0$ | GENERAL TOLERANCES (UNLESS SPECIFIED) | | DIMENSION STYLE MM ONLY | | SCALE NTS | DESIGN UNITS METRIC | THIRD ANGLE PROJECTION | | | |
| | | | | mm | INCH | DRAWN BY YLQIAO | DATE 2005/03/14 | TITLE CUSTOM HEADER | | | |
| | | 4 PLACES | | ± --- | ± --- | CHECKED BY PTLIM | DATE 2005/03/29 | 2.54MM PITCH SINGLE ROW SINGLE WAFER SMT HEADER | | | |
| | | 3 PLACES | | ± --- | ± --- | APPROVED BY MLONG | DATE 2010/03/10 | MOLEX INCORPORATED | | | |
| 2 PLACES | | ± 0.2 | ± --- | MATERIAL NO. SEE TABLE | | DOCUMENT NO. SD-87898-001 | | SHEET NO. 3 OF 20 | | | |
| 1 PLACE | | ± --- | ± --- | DRAFT WHERE APPLICABLE MUST REMAIN WITHIN DIMENSIONS | | THIS DRAWING CONTAINS INFORMATION THAT IS PROPRIETARY TO MOLEX INCORPORATED AND SHOULD NOT BE USED WITHOUT WRITTEN PERMISSION | | | | | |
| ANGULAR ± 3 ° | | | | | | | | | | | |

fb_frame_A3_P_AM_T Rev. F 2009/06/18 9 8 7 6 5 4 3 2 1

| PACKAGING OPTION PART NO. | | | | | | CKT SIZE | VOID POSITION | PLATING TYPE | DIMENSION | | | | |
|---------------------------|---------------|------------------|---------------|-------------------------|----------------------|----------|---------------|--------------|-----------|-------|-------|------|------|
| TRAY WITHOUT CAP | TRAY WITH CAP | TUBE WITHOUT CAP | TUBE WITH CAP | TAPE & REEL WITHOUT CAP | TAPE & REEL WITH CAP | | | | A | B | G | F | M |
| ----- | ----- | 87898-0721 | 87898-0731 | ----- | 87898-0751 | 7 | ----- | 1 | 17.78 | 15.24 | 10.81 | 9.65 | 5.84 |
| ----- | ----- | 87898-0722 | 87898-0732 | ----- | 87898-0752 | 7 | ----- | 2 | 17.78 | 15.24 | 10.81 | 9.65 | 5.84 |
| ----- | ----- | 87898-0724 | 87898-0734 | ----- | 87898-0754 | 7 | ----- | 4 | 17.78 | 15.24 | 10.81 | 9.65 | 5.84 |
| ----- | ----- | 87898-0725 | 87898-0735 | ----- | 87898-0755 | 7 | ----- | 5 | 17.78 | 15.24 | 10.81 | 9.65 | 5.84 |
| ----- | ----- | 87898-0726 | 87898-0736 | ----- | 87898-0756 | 7 | ----- | 6 | 17.78 | 15.24 | 10.81 | 9.65 | 5.84 |
| ----- | ----- | 87898-0821 | 87898-0831 | ----- | 87898-0851 | 8 | ----- | 1 | 20.32 | 17.78 | 10.81 | 9.65 | 5.84 |
| ----- | ----- | 87898-0822 | 87898-0832 | ----- | 87898-0852 | 8 | ----- | 2 | 20.32 | 17.78 | 10.81 | 9.65 | 5.84 |
| ----- | ----- | 87898-0824 | 87898-0834 | ----- | 87898-0854 | 8 | ----- | 4 | 20.32 | 17.78 | 10.81 | 9.65 | 5.84 |
| ----- | ----- | 87898-0825 | 87898-0835 | ----- | 87898-0855 | 8 | ----- | 5 | 20.32 | 17.78 | 10.81 | 9.65 | 5.84 |
| ----- | ----- | 87898-0826 | 87898-0836 | ----- | 87898-0856 | 8 | ----- | 6 | 20.32 | 17.78 | 10.81 | 9.65 | 5.84 |
| ----- | ----- | 87898-0921 | 87898-0931 | ----- | 87898-0951 | 9 | ----- | 1 | 22.86 | 20.32 | 10.81 | 9.65 | 5.84 |
| ----- | ----- | 87898-0922 | 87898-0932 | ----- | 87898-0952 | 9 | ----- | 2 | 22.86 | 20.32 | 10.81 | 9.65 | 5.84 |
| ----- | ----- | 87898-0924 | 87898-0934 | ----- | 87898-0954 | 9 | ----- | 4 | 22.86 | 20.32 | 10.81 | 9.65 | 5.84 |
| ----- | ----- | 87898-0925 | 87898-0935 | ----- | 87898-0955 | 9 | ----- | 5 | 22.86 | 20.32 | 10.81 | 9.65 | 5.84 |
| ----- | ----- | 87898-0926 | 87898-0936 | ----- | 87898-0956 | 9 | ----- | 6 | 22.86 | 20.32 | 10.81 | 9.65 | 5.84 |

| | | | | | | | | | | | | |
|---|--|--|-------|-----------------------------------|---|--------------------|------------------------|------------------------|-------------------------|--|--|--|
| EWR#1228, +0209 EC NO: S2010-0966 DRW:ATSEE 2010/05/20 CHKD:PTLIM 2005/03/29 APPR:MLONG 2010/06/08 | QUALITY SYMBOLS $F_A=0$ $F_G=0$ $F_P=0$ | GENERAL TOLERANCES (UNLESS SPECIFIED) | | DIMENSION STYLE MM ONLY | | SCALE NTS | DESIGN UNITS METRIC | THIRD ANGLE PROJECTION | | | | |
| | | | | mm | INCH | DRAWN BY YLQIAO | DATE 2005/03/14 | TITLE CUSTOM HEADER | | | | |
| | | | | 4 PLACES | ± --- | ± --- | CHECKED BY PTLIM | DATE 2005/03/29 | SINGLE WAFER SMT HEADER | | | |
| | | | | 3 PLACES | ± --- | ± --- | APPROVED BY MLONG | DATE 2010/03/10 | MOLEX INCORPORATED | | | |
| | | 2 PLACES | ± 0.2 | ± --- | MATERIAL NO. | | DOCUMENT NO. | | SHEET NO. | | | |
| | | 1 PLACE | ± --- | ± --- | SEE TABLE | | SD-87898-001 | | 4 OF 20 | | | |
| | | ANGULAR ± 3 ° | | | THIS DRAWING CONTAINS INFORMATION THAT IS PROPRIETARY TO MOLEX INCORPORATED AND SHOULD NOT BE USED WITHOUT WRITTEN PERMISSION | | | | | | | |
| | | DRAFT WHERE APPLICABLE MUST REMAIN WITHIN DIMENSIONS | | | | | | | | | | |

| PACKAGING OPTION PART NO. | | | | | | | | | | DIMENSION | | | | |
|---------------------------|---------------|------------------|---------------|-------------------------|----------------------|----------|---------------|--------------|-------|-----------|-------|-------|-------|-------|
| TRAY WITHOUT CAP | TRAY WITH CAP | TUBE WITHOUT CAP | TUBE WITH CAP | TAPE & REEL WITHOUT CAP | TAPE & REEL WITH CAP | CKT SIZE | VOID POSITION | PLATING TYPE | A | B | G | F | M | |
| ----- | ----- | 87898-1021 | 87898-1031 | ----- | 87898-1051 | | | | 10 | ----- | 1 | 25.40 | 22.86 | 10.81 |
| ----- | ----- | 87898-1022 | 87898-1032 | ----- | 87898-1052 | 10 | ----- | 2 | 25.40 | 22.86 | 10.81 | 9.65 | 5.84 | |
| ----- | ----- | 87898-1024 | 87898-1034 | ----- | 87898-1054 | 10 | ----- | 4 | 25.40 | 22.86 | 10.81 | 9.65 | 5.84 | |
| ----- | ----- | 87898-1025 | 87898-1035 | ----- | 87898-1055 | 10 | ----- | 5 | 25.40 | 22.86 | 10.81 | 9.65 | 5.84 | |
| ----- | ----- | 87898-1026 | 87898-1036 | ----- | 87898-1056 | 10 | ----- | 6 | 25.40 | 22.86 | 10.81 | 9.65 | 5.84 | |
| ----- | ----- | 87898-1121 | 87898-1131 | ----- | 87898-1151 | 11 | ----- | 1 | 27.94 | 25.40 | 10.81 | 9.65 | 5.84 | |
| ----- | ----- | 87898-1122 | 87898-1132 | ----- | 87898-1152 | 11 | ----- | 2 | 27.94 | 25.40 | 10.81 | 9.65 | 5.84 | |
| ----- | ----- | 87898-1124 | 87898-1134 | ----- | 87898-1154 | 11 | ----- | 4 | 27.94 | 25.40 | 10.81 | 9.65 | 5.84 | |
| ----- | ----- | 87898-1125 | 87898-1135 | ----- | 87898-1155 | 11 | ----- | 5 | 27.94 | 25.40 | 10.81 | 9.65 | 5.84 | |
| ----- | ----- | 87898-1126 | 87898-1136 | ----- | 87898-1156 | 11 | ----- | 6 | 27.94 | 25.40 | 10.81 | 9.65 | 5.84 | |
| ----- | ----- | 87898-1221 | 87898-1231 | ----- | 87898-1251 | 12 | ----- | 1 | 30.48 | 27.94 | 10.81 | 9.65 | 5.84 | |
| ----- | ----- | 87898-1222 | 87898-1232 | ----- | 87898-1252 | 12 | ----- | 2 | 30.48 | 27.94 | 10.81 | 9.65 | 5.84 | |
| ----- | ----- | 87898-1224 | 87898-1234 | ----- | 87898-1254 | 12 | ----- | 4 | 30.48 | 27.94 | 10.81 | 9.65 | 5.84 | |
| ----- | ----- | 87898-1225 | 87898-1235 | ----- | 87898-1255 | 12 | ----- | 5 | 30.48 | 27.94 | 10.81 | 9.65 | 5.84 | |
| ----- | ----- | 87898-1226 | 87898-1236 | ----- | 87898-1256 | 12 | ----- | 6 | 30.48 | 27.94 | 10.81 | 9.65 | 5.84 | |


| | | | | | | | | | | | | | | |
|--|--|--|--|--|--|--|--|--|--|--|--|--|--|--|
| | | | | | | | | | | | | | | |
|--|--|--|--|--|--|--|--|--|--|--|--|--|--|--|

| | | | | | | | | | | | |
|---|---|---|--------------|-----------------------------------|--------------------|---|------------------------|------------------------|--|--|----------------------|
| EWR#1228, +0209 EC NO: S2010-0966 DRW:ATSEE 2010/05/20 CH:KDPTLIM 2005/03/29 APPR:MLONG 2010/06/08 | QUALITY SYMBOLS $\nabla_A = 0$ $\nabla_B = 0$ $\nabla_C = 0$ | GENERAL TOLERANCES (UNLESS SPECIFIED) | | DIMENSION STYLE MM ONLY | | SCALE NTS | DESIGN UNITS METRIC | THIRD ANGLE PROJECTION | | | |
| | | 4 PLACES \pm --- \pm --- 3 PLACES \pm --- \pm --- 2 PLACES \pm 0.2 \pm --- 1 PLACE \pm --- \pm --- | mm INCH | DRAWN BY YLQIAO | DATE 2005/03/14 | TITLE CUSTOM HEADER 2.54MM PITCH SINGLE ROW SINGLE WAFER SMT HEADER | | | | | |
| | | ANGULAR \pm 3 ° | | CHECKED BY PTLIM | DATE 2005/03/29 | APPROVED BY MLONG | | | | | |
| | | DRAFT WHERE APPLICABLE MUST REMAIN WITHIN DIMENSIONS | | SEE TABLE | | MATERIAL NO. | MOLEX INCORPORATED | | | | SHEET NO. 5 OF 20 |

10 | 9 | 8 | 7 | 6 | 5 | 4 | 3 | 2 | 1

| PACKAGING OPTION PART NO. | | | | | | CKT SIZE | VOID POSITION | PLATING TYPE | DIMENSION | | | | |
|---------------------------|---------------|------------------|---------------|-------------------------|----------------------|----------|---------------|--------------|-----------|-------|-------|------|------|
| TRAY WITHOUT CAP | TRAY WITH CAP | TUBE WITHOUT CAP | TUBE WITH CAP | TAPE & REEL WITHOUT CAP | TAPE & REEL WITH CAP | | | | A | B | G | F | M |
| ----- | ----- | 87898-1321 | 87898-1331 | ----- | 87898-1351 | 13 | ----- | 1 | 33.02 | 30.48 | 10.81 | 9.65 | 5.84 |
| ----- | ----- | 87898-1322 | 87898-1332 | ----- | 87898-1352 | 13 | ----- | 2 | 33.02 | 30.48 | 10.81 | 9.65 | 5.84 |
| ----- | ----- | 87898-1324 | 87898-1334 | ----- | 87898-1354 | 13 | ----- | 4 | 33.02 | 30.48 | 10.81 | 9.65 | 5.84 |
| ----- | ----- | 87898-1325 | 87898-1335 | ----- | 87898-1355 | 13 | ----- | 5 | 33.02 | 30.48 | 10.81 | 9.65 | 5.84 |
| ----- | ----- | 87898-1326 | 87898-1336 | ----- | 87898-1356 | 13 | ----- | 6 | 33.02 | 30.48 | 10.81 | 9.65 | 5.84 |
| ----- | ----- | 87898-1421 | 87898-1431 | ----- | 87898-1451 | 14 | ----- | 1 | 35.56 | 33.02 | 10.81 | 9.65 | 5.84 |
| ----- | ----- | 87898-1422 | 87898-1432 | ----- | 87898-1452 | 14 | ----- | 2 | 35.56 | 33.02 | 10.81 | 9.65 | 5.84 |
| ----- | ----- | 87898-1424 | 87898-1434 | ----- | 87898-1454 | 14 | ----- | 4 | 35.56 | 33.02 | 10.81 | 9.65 | 5.84 |
| ----- | ----- | 87898-1425 | 87898-1435 | ----- | 87898-1455 | 14 | ----- | 5 | 35.56 | 33.02 | 10.81 | 9.65 | 5.84 |
| ----- | ----- | 87898-1426 | 87898-1436 | ----- | 87898-1456 | 14 | ----- | 6 | 35.56 | 33.02 | 10.81 | 9.65 | 5.84 |
| ----- | ----- | 87898-1521 | 87898-1531 | ----- | 87898-1551 | 15 | ----- | 1 | 38.10 | 35.56 | 10.81 | 9.65 | 5.84 |
| ----- | ----- | 87898-1522 | 87898-1532 | ----- | 87898-1552 | 15 | ----- | 2 | 38.10 | 35.56 | 10.81 | 9.65 | 5.84 |
| ----- | ----- | 87898-1524 | 87898-1534 | ----- | 87898-1554 | 15 | ----- | 4 | 38.10 | 35.56 | 10.81 | 9.65 | 5.84 |
| ----- | ----- | 87898-1525 | 87898-1535 | ----- | 87898-1555 | 15 | ----- | 5 | 38.10 | 35.56 | 10.81 | 9.65 | 5.84 |
| ----- | ----- | 87898-1526 | 87898-1536 | ----- | 87898-1556 | 15 | ----- | 6 | 38.10 | 35.56 | 10.81 | 9.65 | 5.84 |

B

| | | | | | | | | | | | |
|---|---|---------------------------------------|--|-----------------------------------|-----------|----------------------|------------------------|--|--|--|--|
| EWR#1228, +0209 EC NO: S2010-0966 DRWN:ATSEE 2010/05/20 CH'KD:PTLIM 2005/03/29 APPR:MLONG 2010/06/08 | QUALITY SYMBOLS $\nabla_A = 0$ $\nabla_G = 0$ $\nabla_P = 0$ | GENERAL TOLERANCES (UNLESS SPECIFIED) | | DIMENSION STYLE MM ONLY | | SCALE NTS | DESIGN UNITS METRIC | THIRD ANGLE PROJECTION | | | |
| | | | | mm | INCH | DRAWN BY YLQIAO | DATE 2005/03/14 | TITLE CUSTOM HEADER 2.54MM PITCH SINGLE ROW SINGLE WAFER SMT HEADER | | | |
| | | | | 4 PLACES \pm --- | \pm --- | CHECKED BY PTLIM | DATE 2005/03/29 | | | | |
| | | | | 3 PLACES \pm --- | \pm --- | APPROVED BY MLONG | DATE 2010/03/10 |  MOLEX INCORPORATED DOCUMENT NO. SD-87898-001 | | | |

A

ib_frame_A3_P_AM_T Rev. F 2009/06/18 | 9 | 8 | 7 | 6 | 5 | 4 | 3 | 2 | 1

| | | | | | | | | | |
|------------------|--|--|-------------------|---|--|--|--|--|--|
| B3 REV | DRAFT WHERE APPLICABLE MUST REMAIN WITHIN DIMENSIONS | | SIZE A3 | THIS DRAWING CONTAINS INFORMATION THAT IS PROPRIETARY TO MOLEX INCORPORATED AND SHOULD NOT BE USED WITHOUT WRITTEN PERMISSION | | | | | |
|------------------|--|--|-------------------|---|--|--|--|--|--|

| PACKAGING OPTION PART NO. | | | | | | CKT SIZE | VOID POSITION | PLATING TYPE | DIMENSION | | | | |
|---------------------------|---------------|------------------|---------------|-------------------------|----------------------|----------|---------------|--------------|-----------|-------|-------|------|------|
| TRAY WITHOUT CAP | TRAY WITH CAP | TUBE WITHOUT CAP | TUBE WITH CAP | TAPE & REEL WITHOUT CAP | TAPE & REEL WITH CAP | | | | A | B | G | F | M |
| ----- | ----- | 87898-1621 | 87898-1631 | ----- | 87898-1651 | 16 | ----- | 1 | 40.64 | 38.10 | 10.81 | 9.65 | 5.84 |
| ----- | ----- | 87898-1622 | 87898-1632 | ----- | 87898-1652 | 16 | ----- | 2 | 40.64 | 38.10 | 10.81 | 9.65 | 5.84 |
| ----- | ----- | 87898-1624 | 87898-1634 | ----- | 87898-1654 | 16 | ----- | 4 | 40.64 | 38.10 | 10.81 | 9.65 | 5.84 |
| ----- | ----- | 87898-1625 | 87898-1635 | ----- | 87898-1655 | 16 | ----- | 5 | 40.64 | 38.10 | 10.81 | 9.65 | 5.84 |
| ----- | ----- | 87898-1626 | 87898-1636 | ----- | 87898-1656 | 16 | ----- | 6 | 40.64 | 38.10 | 10.81 | 9.65 | 5.84 |
| ----- | ----- | 87898-1721 | 87898-1731 | ----- | 87898-1751 | 17 | ----- | 1 | 43.18 | 40.64 | 10.81 | 9.65 | 5.84 |
| ----- | ----- | 87898-1722 | 87898-1732 | ----- | 87898-1752 | 17 | ----- | 2 | 43.18 | 40.64 | 10.81 | 9.65 | 5.84 |
| ----- | ----- | 87898-1724 | 87898-1734 | ----- | 87898-1754 | 17 | ----- | 4 | 43.18 | 40.64 | 10.81 | 9.65 | 5.84 |
| ----- | ----- | 87898-1725 | 87898-1735 | ----- | 87898-1755 | 17 | ----- | 5 | 43.18 | 40.64 | 10.81 | 9.65 | 5.84 |
| ----- | ----- | 87898-1726 | 87898-1736 | ----- | 87898-1756 | 17 | ----- | 6 | 43.18 | 40.64 | 10.81 | 9.65 | 5.84 |
| ----- | ----- | 87898-1821 | 87898-1831 | ----- | 87898-1851 | 18 | ----- | 1 | 45.72 | 43.18 | 10.81 | 9.65 | 5.84 |
| ----- | ----- | 87898-1822 | 87898-1832 | ----- | 87898-1852 | 18 | ----- | 2 | 45.72 | 43.18 | 10.81 | 9.65 | 5.84 |
| ----- | ----- | 87898-1824 | 87898-1834 | ----- | 87898-1854 | 18 | ----- | 4 | 45.72 | 43.18 | 10.81 | 9.65 | 5.84 |
| ----- | ----- | 87898-1825 | 87898-1835 | ----- | 87898-1855 | 18 | ----- | 5 | 45.72 | 43.18 | 10.81 | 9.65 | 5.84 |
| ----- | ----- | 87898-1826 | 87898-1836 | ----- | 87898-1856 | 18 | ----- | 6 | 45.72 | 43.18 | 10.81 | 9.65 | 5.84 |

| | | | | | | | | | |
|--|--|--|--|--|--|--|--|--|--|
| | | | | | | | | | |
|--|--|--|--|--|--|--|--|--|--|

| | | | | | | | |
|--|--------------------------|--|---|---|-----------------------------|--------------|------------------------|
| EWR#1228, +0209 EC NO: S2010-0966 DRW:NATSEE 2010/05/20 CHK:DP LJM 2005/03/29 APPR:MLONG 2010/06/08 | DESCRIPTION B3 | QUALITY SYMBOLS | GENERAL TOLERANCES (UNLESS SPECIFIED) | DIMENSION STYLE | SCALE | DESIGN UNITS | THIRD ANGLE PROJECTION |
| | | $\nabla_A = 0$ $\nabla_G = 0$ $\nabla_P = 0$ | mm INCH | MM ONLY | NTS | METRIC | |
| | | 4 PLACES ± --- ± --- 3 PLACES ± --- ± --- 2 PLACES ± 0.2 ± --- 1 PLACE ± --- ± --- ANGULAR ± 3 ° | DRAWN BY: YLQIAO DATE: 2005/03/14 CHECKED BY: PTLIM DATE: 2005/03/29 APPROVED BY: MLONG DATE: 2010/03/10 | TITLE CUSTOM HEADER 2.54MM PITCH SINGLE ROW SINGLE WAFER SMT HEADER | | | |
| | | DRAFT WHERE APPLICABLE MUST REMAIN WITHIN DIMENSIONS | MATERIAL NO. SEE TABLE | MOLEX INCORPORATED DOCUMENT NO. SD-87898-001 | SHEET NO. 7 OF 20 | | |

| PACKAGING OPTION PART NO. | | | | | | CKT SIZE | VOID POSITION | PLATING TYPE | DIMENSION | | | | |
|---------------------------|---------------|------------------|---------------|-------------------------|----------------------|----------|---------------|--------------|-----------|-------|-------|------|------|
| TRAY WITHOUT CAP | TRAY WITH CAP | TUBE WITHOUT CAP | TUBE WITH CAP | TAPE & REEL WITHOUT CAP | TAPE & REEL WITH CAP | | | | A | B | G | F | M |
| ----- | ----- | 87898-1921 | 87898-1931 | ----- | 87898-1951 | 19 | ---- | 1 | 48.26 | 45.72 | 10.81 | 9.65 | 5.84 |
| ----- | ----- | 87898-1922 | 87898-1932 | ----- | 87898-1952 | 19 | ---- | 2 | 48.26 | 45.72 | 10.81 | 9.65 | 5.84 |
| ----- | ----- | 87898-1924 | 87898-1934 | ----- | 87898-1954 | 19 | ---- | 4 | 48.26 | 45.72 | 10.81 | 9.65 | 5.84 |
| ----- | ----- | 87898-1925 | 87898-1935 | ----- | 87898-1955 | 19 | ---- | 5 | 48.26 | 45.72 | 10.81 | 9.65 | 5.84 |
| ----- | ----- | 87898-1926 | 87898-1936 | ----- | 87898-1956 | 19 | ---- | 6 | 48.26 | 45.72 | 10.81 | 9.65 | 5.84 |
| ----- | ----- | 87898-2021 | 87898-2031 | ----- | 87898-2051 | 20 | ---- | 1 | 50.80 | 48.26 | 10.81 | 9.65 | 5.84 |
| ----- | ----- | 87898-2022 | 87898-2032 | ----- | 87898-2052 | 20 | ---- | 2 | 50.80 | 48.26 | 10.81 | 9.65 | 5.84 |
| ----- | ----- | 87898-2024 | 87898-2034 | ----- | 87898-2054 | 20 | ---- | 4 | 50.80 | 48.26 | 10.81 | 9.65 | 5.84 |
| ----- | ----- | 87898-2025 | 87898-2035 | ----- | 87898-2055 | 20 | ---- | 5 | 50.80 | 48.26 | 10.81 | 9.65 | 5.84 |
| ----- | ----- | 87898-2026 | 87898-2036 | ----- | 87898-2056 | 20 | ---- | 6 | 50.80 | 48.26 | 10.81 | 9.65 | 5.84 |
| ----- | ----- | 87898-2121 | 87898-2131 | ----- | 87898-2151 | 21 | ---- | 1 | 53.34 | 50.80 | 10.81 | 9.65 | 5.84 |
| ----- | ----- | 87898-2122 | 87898-2132 | ----- | 87898-2152 | 21 | ---- | 2 | 53.34 | 50.80 | 10.81 | 9.65 | 5.84 |
| ----- | ----- | 87898-2124 | 87898-2134 | ----- | 87898-2154 | 21 | ---- | 4 | 53.34 | 50.80 | 10.81 | 9.65 | 5.84 |
| ----- | ----- | 87898-2125 | 87898-2135 | ----- | 87898-2155 | 21 | ---- | 5 | 53.34 | 50.80 | 10.81 | 9.65 | 5.84 |
| ----- | ----- | 87898-2126 | 87898-2136 | ----- | 87898-2156 | 21 | ---- | 6 | 53.34 | 50.80 | 10.81 | 9.65 | 5.84 |

| | | | | | | | | | | | | | |
|-------|-------|------------|------------|-------|------------|----|------|---|-------|-------|-------|------|------|
| ----- | ----- | 87898-2209 | 87898-2219 | ----- | 87898-2259 | 22 | ---- | 1 | 50.80 | 48.26 | 10.81 | 9.65 | 5.84 |
| ----- | ----- | 87898-2210 | 87898-2220 | ----- | 87898-2260 | 22 | ---- | 2 | 50.80 | 48.26 | 10.81 | 9.65 | 5.84 |
| ----- | ----- | 87898-2212 | 87898-2222 | ----- | 87898-2262 | 22 | ---- | 4 | 50.80 | 48.26 | 10.81 | 9.65 | 5.84 |
| ----- | ----- | 87898-2213 | 87898-2223 | ----- | 87898-2263 | 22 | ---- | 5 | 50.80 | 48.26 | 10.81 | 9.65 | 5.84 |
| ----- | ----- | 87898-2214 | 87898-2224 | ----- | 87898-2264 | 22 | ---- | 6 | 50.80 | 48.26 | 10.81 | 9.65 | 5.84 |

| | | | | | | | | | |
|---|---|---|--------------|-----------------------------------|--------------------|--|------------------------------|------------------------|--|
| EWR#1228, +0209 EC NO: S2010-0966 DRWN:ATSEE 2010/05/20 CH'KD:PTLIM 2005/03/29 APPR:MLONG 2010/06/08 | QUALITY SYMBOLS $\nabla_A = 0$ $\nabla_F = 0$ $\nabla_P = 0$ | GENERAL TOLERANCES (UNLESS SPECIFIED) | | DIMENSION STYLE MM ONLY | | SCALE NTS | DESIGN UNITS METRIC | THIRD ANGLE PROJECTION | |
| | | 4 PLACES \pm --- \pm --- 3 PLACES \pm --- \pm --- 2 PLACES \pm 0.2 \pm --- 1 PLACE \pm --- \pm --- | mm INCH | DRAWN BY YLQIAO | DATE 2005/03/14 | TITLE CUSTOM HEADER 2.54MM PITCH SINGLE ROW SINGLE WAFER SMT HEADER | | | |
| | | ANGULAR \pm 3 ° | | CHECKED BY PTLIM | DATE 2005/03/29 | MOLEX INCORPORATED | | | |
| | | DRAFT WHERE APPLICABLE MUST REMAIN WITHIN DIMENSIONS | | APPROVED BY MLONG | DATE 2010/03/10 | MATERIAL NO. SEE TABLE | DOCUMENT NO. SD-87898-001 | SHEET NO. 8 OF 20 | |

10 9 8 7 6 5 4 3 2 1

| PACKAGING OPTION PART NO. | | | | | | CKT SIZE | VOID POSITION | PLATING TYPE | DIMENSION | | | | |
|---------------------------|---------------|------------------|---------------|-------------------------|----------------------|----------|---------------|--------------|-----------|-------|-------|------|------|
| TRAY WITHOUT CAP | TRAY WITH CAP | TUBE WITHOUT CAP | TUBE WITH CAP | TAPE & REEL WITHOUT CAP | TAPE & REEL WITH CAP | | | | A | B | G | F | M |
| ----- | ----- | 87898-2221 | 87898-2231 | ----- | ----- | 22 | ---- | 1 | 55.88 | 53.34 | 10.81 | 9.65 | 5.84 |
| ----- | ----- | 87898-2222 | 87898-2232 | ----- | ----- | 22 | ---- | 2 | 55.88 | 53.34 | 10.81 | 9.65 | 5.84 |
| ----- | ----- | 87898-2224 | 87898-2234 | ----- | ----- | 22 | ---- | 4 | 55.88 | 53.34 | 10.81 | 9.65 | 5.84 |
| ----- | ----- | 87898-2225 | 87898-2235 | ----- | ----- | 22 | ---- | 5 | 55.88 | 53.34 | 10.81 | 9.65 | 5.84 |
| ----- | ----- | 87898-2226 | 87898-2236 | ----- | ----- | 22 | ---- | 6 | 55.88 | 53.34 | 10.81 | 9.65 | 5.84 |
| ----- | ----- | | | | | | | | | | | | |
| ----- | ----- | 87898-2321 | 87898-2331 | ----- | ----- | 23 | ---- | 1 | 58.42 | 55.88 | 10.81 | 9.65 | 5.84 |
| ----- | ----- | 87898-2322 | 87898-2332 | ----- | ----- | 23 | ---- | 2 | 58.42 | 55.88 | 10.81 | 9.65 | 5.84 |
| ----- | ----- | 87898-2324 | 87898-2334 | ----- | ----- | 23 | ---- | 4 | 58.42 | 55.88 | 10.81 | 9.65 | 5.84 |
| ----- | ----- | 87898-2325 | 87898-2335 | ----- | ----- | 23 | ---- | 5 | 58.42 | 55.88 | 10.81 | 9.65 | 5.84 |
| ----- | ----- | 87898-2326 | 87898-2336 | ----- | ----- | 23 | ---- | 6 | 58.42 | 55.88 | 10.81 | 9.65 | 5.84 |
| ----- | ----- | | | | | | | | | | | | |
| ----- | ----- | 87898-2421 | 87898-2431 | ----- | ----- | 24 | ---- | 1 | 60.96 | 58.42 | 10.81 | 9.65 | 5.84 |
| ----- | ----- | 87898-2422 | 87898-2432 | ----- | ----- | 24 | ---- | 2 | 60.96 | 58.42 | 10.81 | 9.65 | 5.84 |
| ----- | ----- | 87898-2424 | 87898-2434 | ----- | ----- | 24 | ---- | 4 | 60.96 | 58.42 | 10.81 | 9.65 | 5.84 |
| ----- | ----- | 87898-2425 | 87898-2435 | ----- | ----- | 24 | ---- | 5 | 60.96 | 58.42 | 10.81 | 9.65 | 5.84 |
| ----- | ----- | 87898-2426 | 87898-2436 | ----- | ----- | 24 | ---- | 6 | 60.96 | 58.42 | 10.81 | 9.65 | 5.84 |

B

| | | | | | | | | | |
|---|---|---|--------------|-----------------------------------|--------------------|--|------------------------------|------------------------|--|
| EWR#1228, +0209 EC NO: S2010-0966 DRW:ATSEE 2010/05/20 CHKD:PTLIM 2005/03/29 APPR:MLONG 2010/06/08 | QUALITY SYMBOLS $\nabla_F = 0$ $\nabla_E = 0$ $\nabla_D = 0$ | GENERAL TOLERANCES (UNLESS SPECIFIED) | | DIMENSION STYLE MM ONLY | | SCALE NTS | DESIGN UNITS METRIC | THIRD ANGLE PROJECTION | |
| | | 4 PLACES \pm --- \pm --- 3 PLACES \pm --- \pm --- 2 PLACES \pm 0.2 \pm --- 1 PLACE \pm --- \pm --- | mm INCH | DRAWN BY YLQIAO | DATE 2005/03/14 | TITLE CUSTOM HEADER 2.54MM PITCH SINGLE ROW SINGLE WAFER SMT HEADER | | | |
| | | ANGULAR \pm 3 ° | | CHECKED BY PTLIM | DATE 2005/03/29 | MOLEX INCORPORATED | | | |
| | | DRAFT WHERE APPLICABLE MUST REMAIN WITHIN DIMENSIONS | | APPROVED BY MLONG | DATE 2010/03/10 | MATERIAL NO. SEE TABLE | DOCUMENT NO. SD-87898-001 | SHEET NO. 9 OF 20 | |

A

10 9 8 7 6 5 4 3 2 1

| PACKAGING OPTION PART NO. | | | | | | CKT SIZE | VOID POSITION | PLATING TYPE | DIMENSION | | | | |
|---------------------------|---------------|------------------|---------------|-------------------------|----------------------|----------|---------------|--------------|-----------|-------|-------|------|------|
| TRAY WITHOUT CAP | TRAY WITH CAP | TUBE WITHOUT CAP | TUBE WITH CAP | TAPE & REEL WITHOUT CAP | TAPE & REEL WITH CAP | | | | A | B | G | F | M |
| ----- | ----- | 87898-2521 | 87898-2531 | ----- | ----- | 25 | ---- | 1 | 63.50 | 60.96 | 10.81 | 9.65 | 5.84 |
| ----- | ----- | 87898-2522 | 87898-2532 | ----- | ----- | 25 | ---- | 2 | 63.50 | 60.96 | 10.81 | 9.65 | 5.84 |
| ----- | ----- | 87898-2524 | 87898-2534 | ----- | ----- | 25 | ---- | 4 | 63.50 | 60.96 | 10.81 | 9.65 | 5.84 |
| ----- | ----- | 87898-2525 | 87898-2535 | ----- | ----- | 25 | ---- | 5 | 63.50 | 60.96 | 10.81 | 9.65 | 5.84 |
| ----- | ----- | 87898-2526 | 87898-2536 | ----- | ----- | 25 | ---- | 6 | 63.50 | 60.96 | 10.81 | 9.65 | 5.84 |
| ----- | ----- | 87898-2621 | 87898-2631 | ----- | ----- | 26 | ---- | 1 | 66.04 | 63.50 | 10.81 | 9.65 | 5.84 |
| ----- | ----- | 87898-2622 | 87898-2632 | ----- | ----- | 26 | ---- | 2 | 66.04 | 63.50 | 10.81 | 9.65 | 5.84 |
| ----- | ----- | 87898-2624 | 87898-2634 | ----- | ----- | 26 | ---- | 4 | 66.04 | 63.50 | 10.81 | 9.65 | 5.84 |
| ----- | ----- | 87898-2625 | 87898-2635 | ----- | ----- | 26 | ---- | 5 | 66.04 | 63.50 | 10.81 | 9.65 | 5.84 |
| ----- | ----- | 87898-2626 | 87898-2636 | ----- | ----- | 26 | ---- | 6 | 66.04 | 63.50 | 10.81 | 9.65 | 5.84 |
| ----- | ----- | 87898-2721 | 87898-2731 | ----- | ----- | 27 | ---- | 1 | 68.58 | 66.04 | 10.81 | 9.65 | 5.84 |
| ----- | ----- | 87898-2722 | 87898-2732 | ----- | ----- | 27 | ---- | 2 | 68.58 | 66.04 | 10.81 | 9.65 | 5.84 |
| ----- | ----- | 87898-2724 | 87898-2734 | ----- | ----- | 27 | ---- | 4 | 68.58 | 66.04 | 10.81 | 9.65 | 5.84 |
| ----- | ----- | 87898-2725 | 87898-2735 | ----- | ----- | 27 | ---- | 5 | 68.58 | 66.04 | 10.81 | 9.65 | 5.84 |
| ----- | ----- | 87898-2726 | 87898-2736 | ----- | ----- | 27 | ---- | 6 | 68.58 | 66.04 | 10.81 | 9.65 | 5.84 |

B

| | | | | | | | | | | | | |
|--|--|---------------------------------------|-------|--|---|--------------------|------------------------|--|----------------------|--|--|--|
| EWR#1228, +0209 EC NO: S2010-0966 DRW:ATSEE 2010/05/20 CHKD:PTLIM 2005/03/29 APPR:MLONG 2010/06/08 | QUALITY SYMBOLS F _A =0 F _E =0 F _F =0 | GENERAL TOLERANCES (UNLESS SPECIFIED) | | DIMENSION STYLE MM ONLY | | SCALE NTS | DESIGN UNITS METRIC | THIRD ANGLE PROJECTION | | | | |
| | | | | mm | INCH | DRAWN BY YLQIAO | DATE 2005/03/14 | TITLE CUSTOM HEADER 2.54MM PITCH SINGLE ROW SINGLE WAFER SMT HEADER | | | | |
| | | | | 4 PLACES | ± --- | ± --- | CHECKED BY PTLIM | DATE 2005/03/29 | APPROVED BY MLONG | | | |
| | | | | 3 PLACES | ± --- | ± --- | DATE 2010/03/10 | MATERIAL NO. SEE TABLE | | | | |
| | | 2 PLACES | ± 0.2 | ± --- | DOCUMENT NO. SD-87898-001 | | SHEET NO. 10 OF 20 | | | | | |
| | | 1 PLACE | ± --- | ± --- | THIS DRAWING CONTAINS INFORMATION THAT IS PROPRIETARY TO MOLEX INCORPORATED AND SHOULD NOT BE USED WITHOUT WRITTEN PERMISSION | | | | | | | |
| | | ANGULAR ± 3 ° | | DRAFT WHERE APPLICABLE MUST REMAIN WITHIN DIMENSIONS | | | | | | | | |

A

| PACKAGING OPTION PART NO. | | | | | | CKT SIZE | VOID POSITION | PLATING TYPE | DIMENSION | | | | |
|---------------------------|---------------|------------------|---------------|-------------------------|----------------------|----------|---------------|--------------|-----------|-------|-------|------|------|
| TRAY WITHOUT CAP | TRAY WITH CAP | TUBE WITHOUT CAP | TUBE WITH CAP | TAPE & REEL WITHOUT CAP | TAPE & REEL WITH CAP | | | | A | B | G | F | M |
| ----- | ----- | 87898-2821 | 87898-2831 | ----- | ----- | 28 | ---- | 1 | 71.12 | 68.58 | 10.81 | 9.65 | 5.84 |
| ----- | ----- | 87898-2822 | 87898-2832 | ----- | ----- | 28 | ---- | 2 | 71.12 | 68.58 | 10.81 | 9.65 | 5.84 |
| ----- | ----- | 87898-2824 | 87898-2834 | ----- | ----- | 28 | ---- | 4 | 71.12 | 68.58 | 10.81 | 9.65 | 5.84 |
| ----- | ----- | 87898-2825 | 87898-2835 | ----- | ----- | 28 | ---- | 5 | 71.12 | 68.58 | 10.81 | 9.65 | 5.84 |
| ----- | ----- | 87898-2826 | 87898-2836 | ----- | ----- | 28 | ---- | 6 | 71.12 | 68.58 | 10.81 | 9.65 | 5.84 |
| ----- | ----- | 87898-2921 | 87898-2931 | ----- | ----- | 29 | ---- | 1 | 73.66 | 71.12 | 10.81 | 9.65 | 5.84 |
| ----- | ----- | 87898-2922 | 87898-2932 | ----- | ----- | 29 | ---- | 2 | 73.66 | 71.12 | 10.81 | 9.65 | 5.84 |
| ----- | ----- | 87898-2924 | 87898-2934 | ----- | ----- | 29 | ---- | 4 | 73.66 | 71.12 | 10.81 | 9.65 | 5.84 |
| ----- | ----- | 87898-2925 | 87898-2935 | ----- | ----- | 29 | ---- | 5 | 73.66 | 71.12 | 10.81 | 9.65 | 5.84 |
| ----- | ----- | 87898-2926 | 87898-2936 | ----- | ----- | 29 | ---- | 6 | 73.66 | 71.12 | 10.81 | 9.65 | 5.84 |
| ----- | ----- | 87898-3021 | 87898-3031 | ----- | ----- | 30 | ---- | 1 | 76.20 | 73.66 | 10.81 | 9.65 | 5.84 |
| ----- | ----- | 87898-3022 | 87898-3032 | ----- | ----- | 30 | ---- | 2 | 76.20 | 73.66 | 10.81 | 9.65 | 5.84 |
| ----- | ----- | 87898-3024 | 87898-3034 | ----- | ----- | 30 | ---- | 4 | 76.20 | 73.66 | 10.81 | 9.65 | 5.84 |
| ----- | ----- | 87898-3025 | 87898-3035 | ----- | ----- | 30 | ---- | 5 | 76.20 | 73.66 | 10.81 | 9.65 | 5.84 |
| ----- | ----- | 87898-3026 | 87898-3036 | ----- | ----- | 30 | ---- | 6 | 76.20 | 73.66 | 10.81 | 9.65 | 5.84 |

| | | | | | | | | | | |
|--|-----------------------|--|--|--|--|--|------------------------|--|--|-----------------------|
| EWR#1228, +0209 EC NO: S2010-0966 DRW:ATSEE 2010/05/20 CHKD:PTLIM 2005/03/29 APPR:MLONG 2010/06/08 | REV DESCRIPTION B3 | QUALITY SYMBOLS | GENERAL TOLERANCES (UNLESS SPECIFIED) | DIMENSION STYLE MM ONLY | | SCALE NTS | DESIGN UNITS METRIC | THIRD ANGLE PROJECTION | | |
| | | $\nabla_A = 0$ $\nabla_G = 0$ $\nabla_P = 0$ | mm INCH 4 PLACES ± --- ± --- 3 PLACES ± --- ± --- 2 PLACES ± 0.2 ± --- 1 PLACE ± --- ± --- ANGULAR ± 3 ° | DRAWN BY YLQIAO CHECKED BY PTLIM APPROVED BY MLONG MATERIAL NO. SEE TABLE | DATE 2005/03/14 DATE 2005/03/29 DATE 2010/03/10 | TITLE CUSTOM HEADER 2.54MM PITCH SINGLE ROW SINGLE WAFER SMT HEADER | | DOCUMENT NO. MOLEX INCORPORATED SD-87898-001 | | SHEET NO. 11 OF 20 |
| | | DRAFT WHERE APPLICABLE MUST REMAIN WITHIN DIMENSIONS | | | THIS DRAWING CONTAINS INFORMATION THAT IS PROPRIETARY TO MOLEX INCORPORATED AND SHOULD NOT BE USED WITHOUT WRITTEN PERMISSION | | | | | |
| | | | | | | | | | | |

PACKAGING OPTION PART NO.

| F | PACKAGING OPTION PART NO. | | | | | | CKT SIZE | VOID POSITION | PLATING TYPE | DIMENSION | | | | |
|---|---------------------------|---------------|------------------|---------------|-------------------------|----------------------|----------|---------------|--------------|-----------|-------|-------|------|------|
| | TRAY WITHOUT CAP | TRAY WITH CAP | TUBE WITHOUT CAP | TUBE WITH CAP | TAPE & REEL WITHOUT CAP | TAPE & REEL WITH CAP | | | | A | B | G | F | M |
| | ----- | ----- | 87898-3121 | 87898-3131 | ----- | ----- | 31 | ---- | 1 | 78.74 | 76.20 | 10.81 | 9.65 | 5.84 |
| | ----- | ----- | 87898-3122 | 87898-3132 | ----- | ----- | 31 | ---- | 2 | 78.74 | 76.20 | 10.81 | 9.65 | 5.84 |
| | ----- | ----- | 87898-3124 | 87898-3134 | ----- | ----- | 31 | ---- | 4 | 78.74 | 76.20 | 10.81 | 9.65 | 5.84 |
| | ----- | ----- | 87898-3125 | 87898-3135 | ----- | ----- | 31 | ---- | 5 | 78.74 | 76.20 | 10.81 | 9.65 | 5.84 |
| | ----- | ----- | 87898-3126 | 87898-3136 | ----- | ----- | 31 | ---- | 6 | 78.74 | 76.20 | 10.81 | 9.65 | 5.84 |
| E | | | | | | | | | | | | | | |
| | ----- | ----- | 87898-3221 | 87898-3231 | ----- | ----- | 32 | ---- | 1 | 81.28 | 78.74 | 10.81 | 9.65 | 5.84 |
| | ----- | ----- | 87898-3222 | 87898-3232 | ----- | ----- | 32 | ---- | 2 | 81.28 | 78.74 | 10.81 | 9.65 | 5.84 |
| | ----- | ----- | 87898-3224 | 87898-3234 | ----- | ----- | 32 | ---- | 4 | 81.28 | 78.74 | 10.81 | 9.65 | 5.84 |
| | ----- | ----- | 87898-3225 | 87898-3235 | ----- | ----- | 32 | ---- | 5 | 81.28 | 78.74 | 10.81 | 9.65 | 5.84 |
| D | | | | | | | | | | | | | | |
| | ----- | ----- | 87898-3226 | 87898-3236 | ----- | ----- | 32 | ---- | 6 | 81.28 | 78.74 | 10.81 | 9.65 | 5.84 |
| | | | | | | | | | | | | | | |
| | ----- | ----- | 87898-3321 | 87898-3331 | ----- | ----- | 33 | ---- | 1 | 83.82 | 81.28 | 10.81 | 9.65 | 5.84 |
| | ----- | ----- | 87898-3322 | 87898-3332 | ----- | ----- | 33 | ---- | 2 | 83.82 | 81.28 | 10.81 | 9.65 | 5.84 |
| | ----- | ----- | 87898-3324 | 87898-3334 | ----- | ----- | 33 | ---- | 4 | 83.82 | 81.28 | 10.81 | 9.65 | 5.84 |
| | ----- | ----- | 87898-3325 | 87898-3335 | ----- | ----- | 33 | ---- | 5 | 83.82 | 81.28 | 10.81 | 9.65 | 5.84 |
| C | | | | | | | | | | | | | | |
| | ----- | ----- | 87898-3326 | 87898-3336 | ----- | ----- | 33 | ---- | 6 | 83.82 | 81.28 | 10.81 | 9.65 | 5.84 |

| | | | | | | | | | | | |
|---|---|---------------------------------------|-----------|-----------------------------------|--|--------------------|---|---|------------------------------|--|-----------------------|
| EWR#1228, +0209 EC NO: S2010-0966 DRW:ATSEE 2010/05/20 CH:KD:PTLIM 2005/03/29 APPR:MLONG 2010/06/08 | QUALITY SYMBOLS $\nabla_A = 0$ $\nabla_C = 0$ $\nabla_P = 0$ | GENERAL TOLERANCES (UNLESS SPECIFIED) | | DIMENSION STYLE MM ONLY | | SCALE NTS | DESIGN UNITS METRIC | THIRD ANGLE PROJECTION | | | |
| | | | | mm | INCH | DRAWN BY YLQIAO | DATE 2005/03/14 | TITLE CUSTOM HEADER 2.54MM PITCH SINGLE ROW SINGLE WAFER SMT HEADER | | | |
| | | | | 4 PLACES | \pm --- | \pm --- | CHECKED BY PTLIM | | | | |
| | | | | 3 PLACES | \pm --- | \pm --- | APPROVED BY MLONG | DATE 2010/03/10 | MOLEX INCORPORATED | | SHEET NO. 12 OF 20 |
| | | 2 PLACES | \pm 0.2 | \pm --- | DRAFT WHERE APPLICABLE MUST REMAIN WITHIN DIMENSIONS | | SEE TABLE | | DOCUMENT NO. SD-87898-001 | | |
| | | 1 PLACE | \pm --- | \pm --- | SIZE A3 | | THIS DRAWING CONTAINS INFORMATION THAT IS PROPRIETARY TO MOLEX INCORPORATED AND SHOULD NOT BE USED WITHOUT WRITTEN PERMISSION | | | | |
| | | ANGULAR \pm 3 ° | | | | | | | | | |

| PACKAGING OPTION PART NO. | | | | | | | | | | DIMENSION | | | | |
|---------------------------|---------------|------------------|---------------|-------------------------|----------------------|----------|---------------|--------------|-------|-----------|-------|------|------|--|
| TRAY WITHOUT CAP | TRAY WITH CAP | TUBE WITHOUT CAP | TUBE WITH CAP | TAPE & REEL WITHOUT CAP | TAPE & REEL WITH CAP | CKT SIZE | VOID POSITION | PLATING TYPE | A | B | G | F | M | |
| ----- | ----- | 87898-3421 | 87898-3431 | ----- | ----- | 34 | ---- | 1 | 86.36 | 83.82 | 10.81 | 9.65 | 5.84 | |
| ----- | ----- | 87898-3422 | 87898-3432 | ----- | ----- | 34 | ---- | 2 | 86.36 | 83.82 | 10.81 | 9.65 | 5.84 | |
| ----- | ----- | 87898-3424 | 87898-3434 | ----- | ----- | 34 | ---- | 4 | 86.36 | 83.82 | 10.81 | 9.65 | 5.84 | |
| ----- | ----- | 87898-3425 | 87898-3435 | ----- | ----- | 34 | ---- | 5 | 86.36 | 83.82 | 10.81 | 9.65 | 5.84 | |
| ----- | ----- | 87898-3426 | 87898-3436 | ----- | ----- | 34 | ---- | 6 | 86.36 | 83.82 | 10.81 | 9.65 | 5.84 | |
| ----- | ----- | 87898-3521 | 87898-3531 | ----- | ----- | 35 | ---- | 1 | 88.90 | 86.36 | 10.81 | 9.65 | 5.84 | |
| ----- | ----- | 87898-3522 | 87898-3532 | ----- | ----- | 35 | ---- | 2 | 88.90 | 86.36 | 10.81 | 9.65 | 5.84 | |
| ----- | ----- | 87898-3524 | 87898-3534 | ----- | ----- | 35 | ---- | 4 | 88.90 | 86.36 | 10.81 | 9.65 | 5.84 | |
| ----- | ----- | 87898-3525 | 87898-3535 | ----- | ----- | 35 | ---- | 5 | 88.90 | 86.36 | 10.81 | 9.65 | 5.84 | |
| ----- | ----- | 87898-3526 | 87898-3536 | ----- | ----- | 35 | ---- | 6 | 88.90 | 86.36 | 10.81 | 9.65 | 5.84 | |
| ----- | ----- | 87898-3621 | 87898-3631 | ----- | ----- | 36 | ---- | 1 | 91.44 | 88.90 | 10.81 | 9.65 | 5.84 | |
| ----- | ----- | 87898-3622 | 87898-3632 | ----- | ----- | 36 | ---- | 2 | 91.44 | 88.90 | 10.81 | 9.65 | 5.84 | |
| ----- | ----- | 87898-3624 | 87898-3634 | ----- | ----- | 36 | ---- | 4 | 91.44 | 88.90 | 10.81 | 9.65 | 5.84 | |
| ----- | ----- | 87898-3625 | 87898-3635 | ----- | ----- | 36 | ---- | 5 | 91.44 | 88.90 | 10.81 | 9.65 | 5.84 | |
| ----- | ----- | 87898-3626 | 87898-3636 | ----- | ----- | 36 | ---- | 6 | 91.44 | 88.90 | 10.81 | 9.65 | 5.84 | |

| | | | | | | | | | | | | | | |
|--|--|--|--|--|--|--|--|--|--|--|--|--|--|--|
| | | | | | | | | | | | | | | |
|--|--|--|--|--|--|--|--|--|--|--|--|--|--|--|

| | | | | | | | | | | | |
|--|--|---|--------------|-----------------------------------|--------------------|---|-------------------------------|---------------------------|--|------------------------------|-----------------------|
| EWR#1228, +0209 EC NO: S2010-0966 DRWN:ATSEE 2010/05/20 CH'KD:PTLIM 2005/03/29 APPR:MLONG 2010/06/08 B3 | QUALITY SYMBOLS $F_A=0$ $F_G=0$ $F_B=0$ | GENERAL TOLERANCES (UNLESS SPECIFIED) | | DIMENSION STYLE MM ONLY | | SCALE NTS | DESIGN UNITS METRIC | THIRD ANGLE PROJECTION | | | |
| | | 4 PLACES \pm --- \pm --- 3 PLACES \pm --- \pm --- 2 PLACES \pm 0.2 \pm --- 1 PLACE \pm --- \pm --- | mm INCH | DRAWN BY YLQIAO | DATE 2005/03/14 | TITLE CUSTOM HEADER 2.54MM PITCH SINGLE ROW SINGLE WAFER SMT HEADER | | | | | |
| | | ANGULAR \pm 3 ° | | CHECKED BY PTLIM | DATE 2005/03/29 | APPROVED BY MLONG | | | | | |
| | | DRAFT WHERE APPLICABLE MUST REMAIN WITHIN DIMENSIONS | | SEE TABLE | | MATERIAL NO. 2010/03/10 | | MOLEX INCORPORATED | | DOCUMENT NO. SD-87898-001 | SHEET NO. 13 OF 20 |

PACKAGING OPTION PART NO.

F

E

D

C

B

A

F

E

D

C

B

A

| TRAY WITHOUT CAP | TRAY WITH CAP | TUBE WITHOUT CAP | TUBE WITH CAP | TAPE & REEL WITHOUT CAP | TAPE & REEL WITH CAP | CKT SIZE | VOID POSITION | PLATING TYPE | DIMENSION | | | | |
|------------------|---------------|------------------|---------------|-------------------------|----------------------|----------|---------------|--------------|-----------|-------|-------|------|------|
| | | | | | | | | | A | B | G | F | M |
| ----- | ----- | 87898-3721 | 87898-3731 | ----- | ----- | 37 | ----- | 1 | 93.98 | 91.44 | 10.81 | 9.65 | 5.84 |
| ----- | ----- | 87898-3722 | 87898-3732 | ----- | ----- | 37 | ----- | 2 | 93.98 | 91.44 | 10.81 | 9.65 | 5.84 |
| ----- | ----- | 87898-3724 | 87898-3734 | ----- | ----- | 37 | ----- | 4 | 93.98 | 91.44 | 10.81 | 9.65 | 5.84 |
| ----- | ----- | 87898-3725 | 87898-3735 | ----- | ----- | 37 | ----- | 5 | 93.98 | 91.44 | 10.81 | 9.65 | 5.84 |
| ----- | ----- | 87898-3726 | 87898-3736 | ----- | ----- | 37 | ----- | 6 | 93.98 | 91.44 | 10.81 | 9.65 | 5.84 |
| ----- | ----- | | | | | | | | | | | | |
| ----- | ----- | 87898-3821 | 87898-3831 | ----- | ----- | 38 | ----- | 1 | 96.52 | 93.98 | 10.81 | 9.65 | 5.84 |
| ----- | ----- | 87898-3822 | 87898-3832 | ----- | ----- | 38 | ----- | 2 | 96.52 | 93.98 | 10.81 | 9.65 | 5.84 |
| ----- | ----- | 87898-3824 | 87898-3834 | ----- | ----- | 38 | ----- | 4 | 96.52 | 93.98 | 10.81 | 9.65 | 5.84 |
| ----- | ----- | 87898-3825 | 87898-3835 | ----- | ----- | 38 | ----- | 5 | 96.52 | 93.98 | 10.81 | 9.65 | 5.84 |
| ----- | ----- | 87898-3826 | 87898-3836 | ----- | ----- | 38 | ----- | 6 | 96.52 | 93.98 | 10.81 | 9.65 | 5.84 |
| ----- | ----- | | | | | | | | | | | | |
| ----- | ----- | 87898-3921 | 87898-3931 | ----- | ----- | 39 | ----- | 1 | 99.06 | 96.52 | 10.81 | 9.65 | 5.84 |
| ----- | ----- | 87898-3922 | 87898-3932 | ----- | ----- | 39 | ----- | 2 | 99.06 | 96.52 | 10.81 | 9.65 | 5.84 |
| ----- | ----- | 87898-3924 | 87898-3934 | ----- | ----- | 39 | ----- | 4 | 99.06 | 96.52 | 10.81 | 9.65 | 5.84 |
| ----- | ----- | 87898-3925 | 87898-3935 | ----- | ----- | 39 | ----- | 5 | 99.06 | 96.52 | 10.81 | 9.65 | 5.84 |
| ----- | ----- | 87898-3926 | 87898-3936 | ----- | ----- | 39 | ----- | 6 | 99.06 | 96.52 | 10.81 | 9.65 | 5.84 |

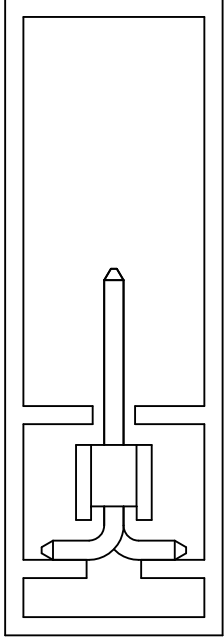
| | | | | | | | | | | |
|---|--|---------------------------------------|----------------------|-----------------------------------|--------------------|--|------------------------|------------------------|--|--|
| EWR#1228, +0209 EC NO: S2010-0966 DRW:ATSEE 2010/05/20 CHKD:PTLIM 2005/03/29 APPR:MLONG 2010/06/08 | QUALITY SYMBOLS $F_A=0$ $F_G=0$ $F_P=0$ | GENERAL TOLERANCES (UNLESS SPECIFIED) | | DIMENSION STYLE MM ONLY | | SCALE NTS | DESIGN UNITS METRIC | THIRD ANGLE PROJECTION | | |
| | | mm INCH | | DRAWN BY YLQIAO | DATE 2005/03/14 | TITLE CUSTOM HEADER 2.54MM PITCH SINGLE ROW SINGLE WAFER SMT HEADER | | | | |
| | | 4 PLACES ± --- ± --- | 3 PLACES ± --- ± --- | CHECKED BY PTLIM | DATE 2005/03/29 | MOLEX INCORPORATED | | | | |
| | | 2 PLACES ± 0.2 ± --- | 1 PLACE ± --- ± --- | APPROVED BY MLONG | DATE 2010/03/10 | DOCUMENT NO. SD-87898-001 | | | | |
| | | ANGULAR ± 3 ° | | MATERIAL NO. SEE TABLE | | SHEET NO. 14 OF 20 | | | | |

THIS DRAWING CONTAINS INFORMATION THAT IS PROPRIETARY TO MOLEX INCORPORATED AND SHOULD NOT BE USED WITHOUT WRITTEN PERMISSION

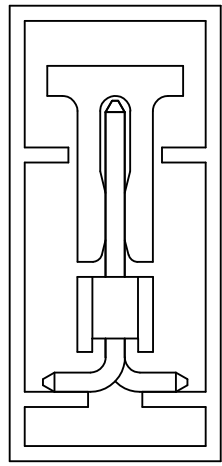
| PACKAGING OPTION PART NO. | | | | | | CKT SIZE | VOID POSITION | PLATING TYPE | DIMENSION | | | | |
|---------------------------|---------------|------------------|---------------|-------------------------|----------------------|----------|---------------|--------------|-----------|-------|-------|------|------|
| TRAY WITHOUT CAP | TRAY WITH CAP | TUBE WITHOUT CAP | TUBE WITH CAP | TAPE & REEL WITHOUT CAP | TAPE & REEL WITH CAP | | | | A | B | G | F | M |
| ----- | ----- | 87898-4021 | 87898-4031 | ----- | ----- | 40 | ---- | 1 | 101.6 | 99.06 | 10.81 | 9.65 | 5.84 |
| ----- | ----- | 87898-4022 | 87898-4032 | ----- | ----- | 40 | ---- | 2 | 101.6 | 99.06 | 10.81 | 9.65 | 5.84 |
| ----- | ----- | 87898-4024 | 87898-4034 | ----- | ----- | 40 | ---- | 4 | 101.6 | 99.06 | 10.81 | 9.65 | 5.84 |
| ----- | ----- | 87898-4025 | 87898-4035 | ----- | ----- | 40 | ---- | 5 | 101.6 | 99.06 | 10.81 | 9.65 | 5.84 |
| ----- | ----- | 87898-4026 | 87898-4036 | ----- | ----- | 40 | ---- | 6 | 101.6 | 99.06 | 10.81 | 9.65 | 5.84 |

| | | | | | | | | | |
|--|-----------------|---------------------------------------|--|---|-------------|--------------|---|------------------------|-----------|
| EWR#1228, +0209 EC NO: S2010-0966 DRWN:ATSEE 2010/05/20 CHKD:PTLIM 2005/03/29 APPR:MLONG 2010/06/08 | QUALITY SYMBOLS | GENERAL TOLERANCES (UNLESS SPECIFIED) | | DIMENSION STYLE MM ONLY | | SCALE NTS | DESIGN UNITS METRIC | THIRD ANGLE PROJECTION | |
| | $\nabla_A = 0$ | 4 PLACES | mm | INCH | DRAWN BY | DATE | TITLE | | |
| | $\nabla_C = 0$ | 3 PLACES | ± --- | ± --- | YLOIAO | 2005/03/14 | CUSTOM HEADER | | |
| | $\nabla_P = 0$ | 2 PLACES | ± 0.2 | ± --- | CHECKED BY | DATE | 2.54MM PITCH SINGLE ROW SINGLE WAFER SMT HEADER | | |
| | | 1 PLACE | ± --- | ± --- | PTLIM | 2005/03/29 | MOLEX INCORPORATED | | |
| | ANGULAR ± 3 ° | | DRAFT WHERE APPLICABLE MUST REMAIN WITHIN DIMENSIONS | | APPROVED BY | DATE | DOCUMENT NO. | | SHEET NO. |
| | | SEE TABLE | | MATERIAL NO. | | SD-87898-001 | | 15 OF 20 | |
| | | SIZE A3 | | THIS DRAWING CONTAINS INFORMATION THAT IS PROPRIETARY TO MOLEX INCORPORATED AND SHOULD NOT BE USED WITHOUT WRITTEN PERMISSION | | | | | |

**PART WITHOUT CAP
IN TUBE ORIENTATION**



**PART WITH CAP
IN TUBE ORIENTATION**

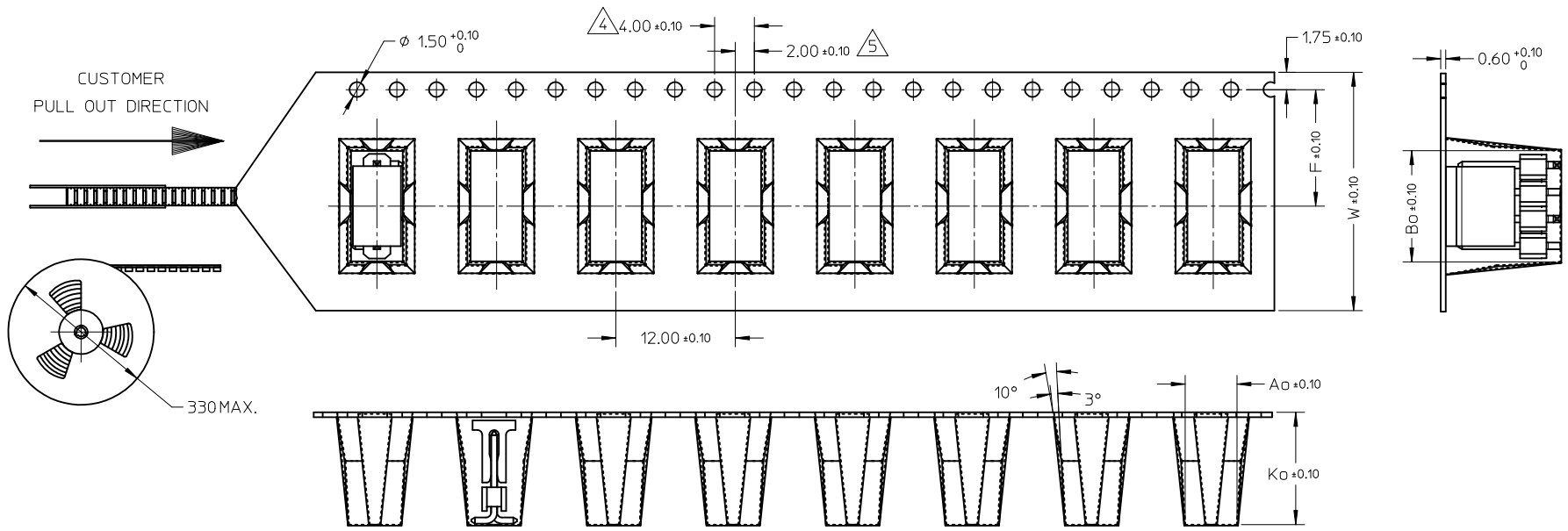


| | | | | | | | | | | |
|---|----|--------------------|--|--|-----------------|-------|------------------------------------|---|-------|--|
| EWR#1228, +0209 IEC NO: S2010-0966 DRW:ATSEE 2010/05/20 CHKD:PTLIM 2005/03/29 APPR:MLONG 2010/06/08 | B3 | DESCRIPTION REV | QUALITY SYMBOLS | GENERAL TOLERANCES (UNLESS SPECIFIED) | DIMENSION STYLE | SCALE | DESIGN UNITS | THIRD ANGLE PROJECTION | | |
| | | | $\nabla_F = 0$ $\nabla_E = 0$ $\nabla_B = 0$ | mm INCH 4 PLACES ± --- ± --- 3 PLACES ± --- ± --- 2 PLACES ± 0.2 ± --- 1 PLACE ± --- ± --- ANGULAR ± 3 ° | MM ONLY | NTS | METRIC | DRAWN BY: YLQ1AO DATE: 2005/03/14 CHECKED BY: PTLIM DATE: 2005/03/29 APPROVED BY: MLONG DATE: 2010/03/10 | TITLE | |
| | | | | DRAFT WHERE APPLICABLE MUST REMAIN WITHIN DIMENSIONS | SEE TABLE | | | CUSTOM HEADER 2.54MM PITCH SINGLE ROW SINGLE WAFER SMT HEADER | | |
| | | | | | | | MOLEX INCORPORATED SD-87898-001 | SHEET NO. 16 OF 20 | | |

10 9 8 7 6 5 4 3 2 1

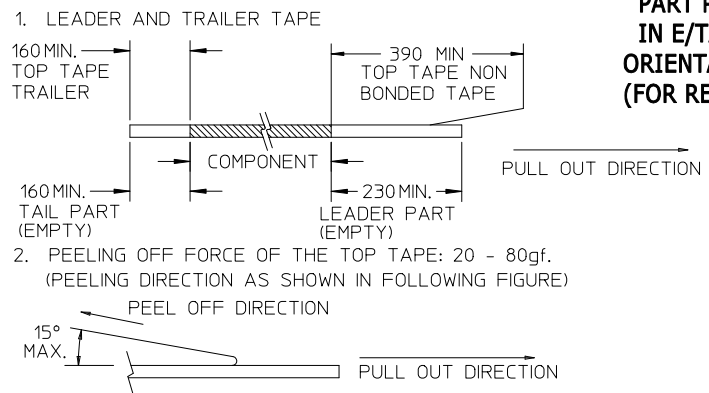
| CKT | DIMENSION | | | | |
|-----|-----------|------|-------|-------|-------|
| | Bo | Ao | Ko | F | W |
| 2 | 8.02 | 5.20 | 13.60 | 11.50 | 24.00 |
| 4 | 10.55 | 5.20 | 11.30 | 11.50 | 24.00 |

EMBOSSED CARRIER TYPE 'A'



**PART PACK
IN E/TAPE
ORIENTATION
(FOR REF USE)**

NOTES:



3. MATERIAL: BLACK P.S CONDUCTIVE, BLACK
4. MEASURED FROM CENTRELINE OF SPROCKET HOLE TO CENTRELINE OF SPOCKET
5. CUMULATIVE TOLERANCE OF 10 SPROCKET HOLE IS $\pm 0.20\text{mm}$
6. A0 AND B0 ARE MEASURED FROM ABOVE POCKET BASE 0.30mm
7. TAPE AND REEL SPECIFICATION IS AS PER EIA-481.
8. TAPE AND REEL QUANTITY : 440PCS/REEL
9. THE TAPE IS TREATED FOR ANTI-STATIC.
10. ALL RADIUS ARE 0.30MM UNLESS SPECIFY
11. SURFACE RESISTIVITY 10^3 TO 10^6 OHMS.

| | | | |
|--|------------|-------------|-----------------|
| EWR#1228, +0209 EC NO: S2010-0966 DRW:NATSEE CHKD:PTLIM APPR:MLONG | 2010/05/20 | DESCRIPTION | QUALITY SYMBOLS |
| | 2010/03/29 | | $\nabla_A = 0$ |
| | 2010/06/08 | | $\nabla_C = 0$ |
| | | | $\nabla_B = 0$ |
| REV | | | |

| | | |
|--|-----------------------|-----------|
| GENERAL TOLERANCES (UNLESS SPECIFIED) | mm | INCH |
| | 4 PLACES \pm --- | \pm --- |
| | 3 PLACES \pm --- | \pm --- |
| | 2 PLACES ± 0.2 | \pm --- |
| | 1 PLACE \pm --- | \pm --- |
| | ANGULAR $\pm 3^\circ$ | |
| DRAFT WHERE APPLICABLE MUST REMAIN WITHIN DIMENSIONS | | |

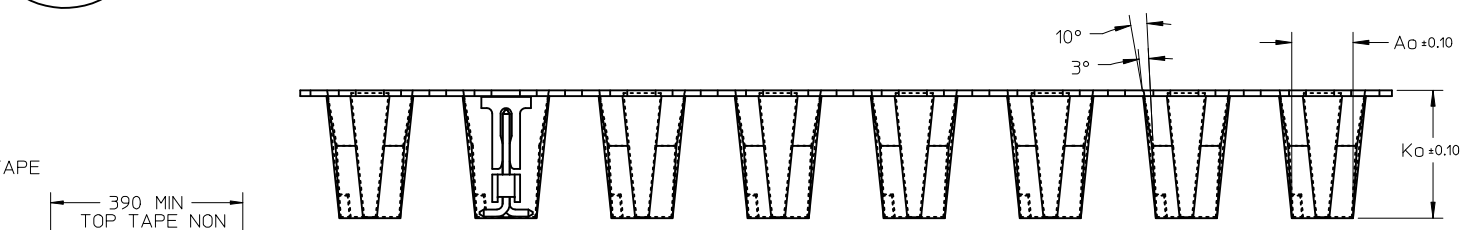
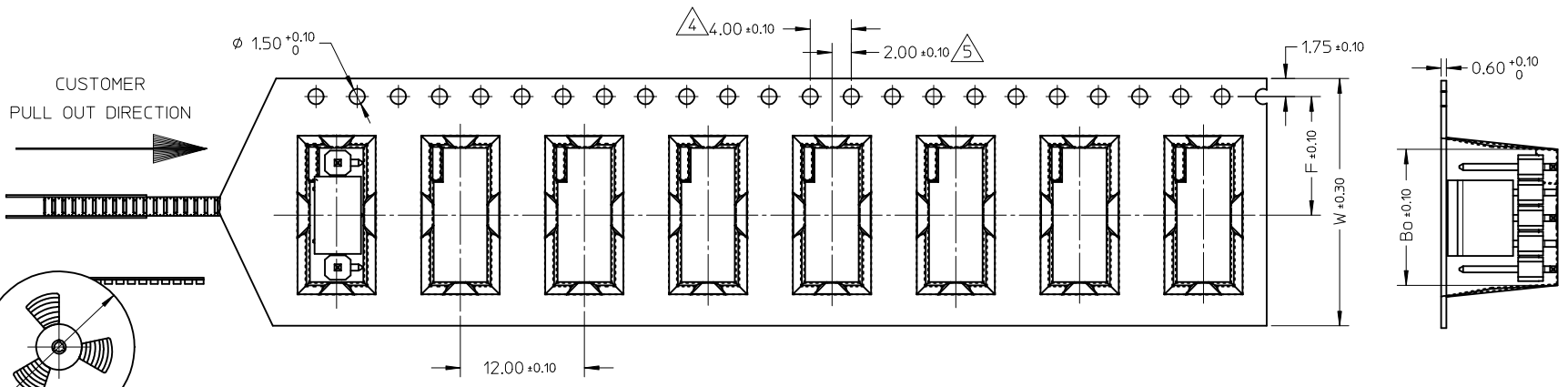
| | | | | |
|-----------------|--------------|--------------------------|--------------|------------------------|
| DIMENSION STYLE | | SCALE | DESIGN UNITS | THIRD ANGLE PROJECTION |
| MM ONLY | | NTS | METRIC | |
| DRAWN BY | DATE | TITLE | | |
| YLO1A0 | 2005/03/14 | CUSTOM HEADER | | |
| CHECKED BY | DATE | 2.54MM PITCH SINGLE ROW | | |
| PTLIM | 2005/03/29 | SINGLE WAFER SMT HEADER | | |
| APPROVED BY | DATE | MOLEX MOLEX INCORPORATED | | |
| MLONG | 2010/03/10 | | | |
| MATERIAL NO. | DOCUMENT NO. | SHEET NO. | | |
| SEE TABLE | SD-87898-001 | 17 OF 20 | | |

| | | | |
|---|--|--------------|-----------|
| MATERIAL NO. | | DOCUMENT NO. | SHEET NO. |
| SEE TABLE | | SD-87898-001 | 17 OF 20 |
| THIS DRAWING CONTAINS INFORMATION THAT IS PROPRIETARY TO MOLEX INCORPORATED AND SHOULD NOT BE USED WITHOUT WRITTEN PERMISSION | | | |

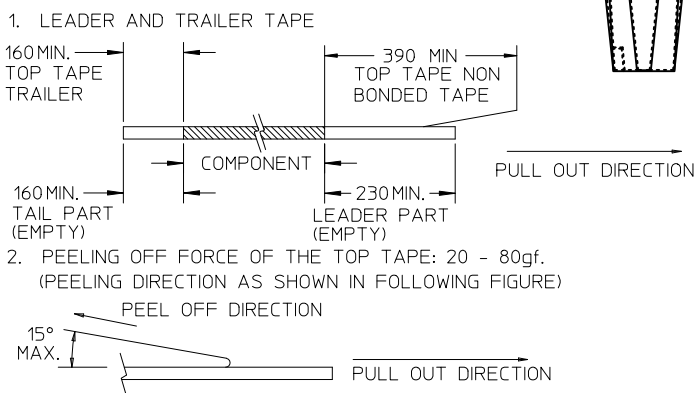
9 8 7 6 5 4 3 2 1

10 9 8 7 6 5 4 3 2 1

| CKT | DIMENSION | | | | |
|-----|-----------|------|-------|-------|-------|
| | Bo | Ao | Ko | F | W |
| 5 | 13.10 | 5.20 | 11.30 | 11.50 | 24.00 |



NOTES:



- LEADER AND TRAILER TAPE
- PEELING OFF FORCE OF THE TOP TAPE: 20 - 80gf. (PEELING DIRECTION AS SHOWN IN FOLLOWING FIGURE)
- MATERIAL: BLACK P.S CONDUCTIVE, BLACK MEASURED FROM CENTRELINE OF SPROCKET HOLE TO CENTRELINE OF SPOCKET
- CUMULATIVE TOLERANCE OF 10 SPROCKET HOLE IS +0.20mm
- A0 AND B0 ARE MEASURE FROM ABOVE POCKET BASE 0.30mm
- TAPE AND REEL SPECIFICATION IS AS PER EIA-481.
- TAPE AND REEL QUANTITY : 440PCS/REEL
- THE TAPE IS TREATED FOR ANTI-STATIC.
- ALL RADIUS ARE 0.30MM UNLESS SPECIFY
- SURFACE RESISTIVITY 10³ TO 10 OHMS.

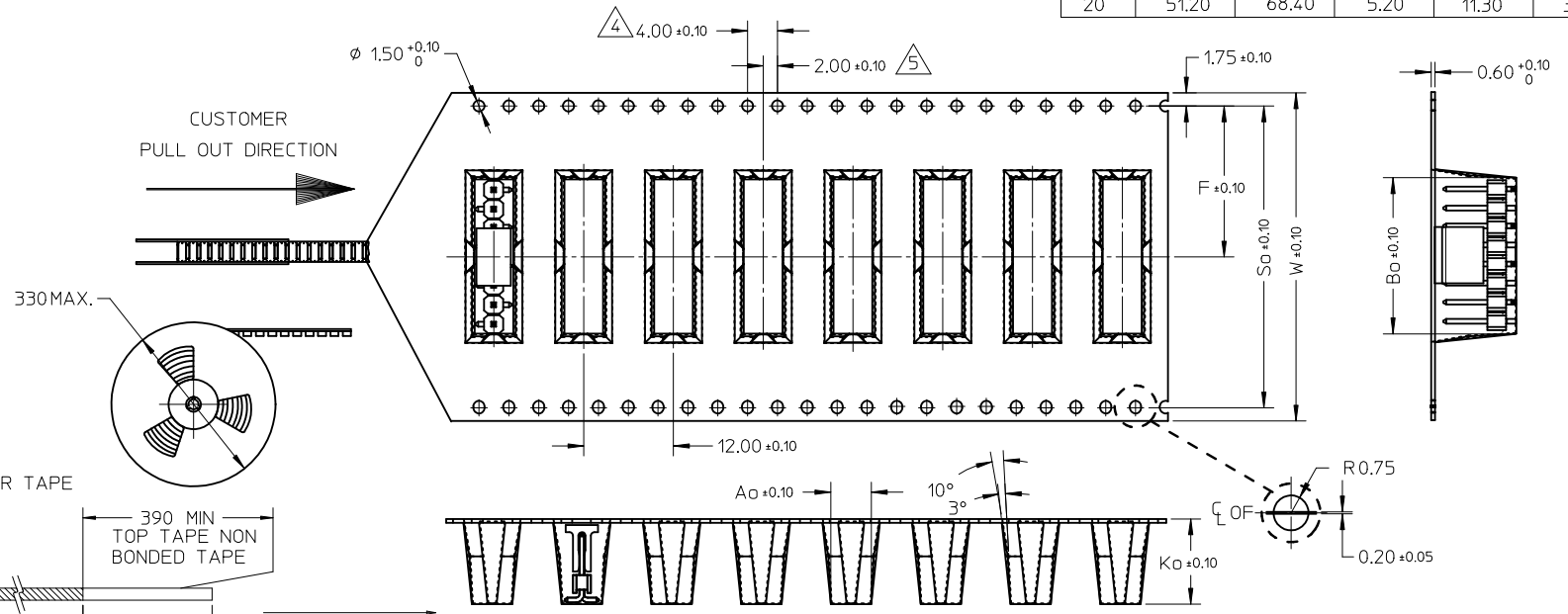
PART PACK IN E/TAPE ORIENTATION (FOR REF USE)

| | | | | | | | | | |
|---|---|---|---------|-----------------------------------|--------------------|---|-------------------------------------|------------------------|--|
| EWR#1228, +0209 EC NO: S2010-0966 DRWN:ATSEE 2010/05/20 CHKD:PTLIM 2005/03/29 APPR:MLONG 2010/06/08 B3 | QUALITY SYMBOLS $\nabla F=0$ $\nabla F=0$ $\nabla F=0$ | GENERAL TOLERANCES (UNLESS SPECIFIED) | | DIMENSION STYLE MM ONLY | | SCALE NTS | DESIGN UNITS METRIC | THIRD ANGLE PROJECTION | |
| | | 4 PLACES ± --- ± --- 3 PLACES ± --- ± --- 2 PLACES ± 0.2 ± --- 1 PLACE ± --- ± --- | mm INCH | DRAWN BY YLQ1A0 | DATE 2005/03/14 | TITLE CUSTOM HEADER 2.54MM PITCH SINGLE ROW SINGLE WAFER SMT HEADER | | | |
| | | ANGULAR ± 3 ° | | CHECKED BY PTLIM | DATE 2005/03/29 | MOLEX INCORPORATED | | | |
| | | DRAFT WHERE APPLICABLE MUST REMAIN WITHIN DIMENSIONS | | APPROVED BY MLONG | DATE 2010/03/10 | MATERIAL NO. SEE TABLE | DOCUMENT NO. SD-87898-001 | SHEET NO. 18 OF 20 | |

9 8 7 6 5 4 3 2 1

10 9 8 7 6 5 4 3 2 1

| CKT | DIMENSION | | | | | |
|-----|-----------|-------|------|-------|-------|-------|
| | Bo | So | Ao | Ko | F | W |
| 6 | 15.65 | 28.40 | 5.20 | 11.30 | 14.20 | 32.00 |
| 8 | 20.70 | 40.40 | 5.20 | 11.30 | 20.20 | 44.00 |
| 10 | 25.80 | 40.40 | 5.20 | 11.30 | 20.20 | 44.00 |
| 12 | 30.90 | 52.40 | 5.20 | 11.30 | 26.20 | 56.00 |
| 14 | 35.95 | 52.40 | 5.20 | 11.30 | 26.20 | 56.00 |
| 16 | 41.05 | 52.40 | 5.20 | 11.30 | 26.20 | 56.00 |
| 18 | 46.20 | 68.40 | 5.20 | 11.30 | 34.20 | 72.00 |
| 20 | 51.20 | 68.40 | 5.20 | 11.30 | 34.20 | 72.00 |



- NOTES:
- LEADER AND TRAILER TAPE
 160 MIN. TOP TAPE TRAILER
 390 MIN. TOP TAPE NON BONDED TAPE
 160 MIN. TAIL PART (EMPTY)
 230 MIN. LEADER PART (EMPTY)
 PEEL OFF DIRECTION
 15° MAX.
 - PEELING OFF FORCE OF THE TOP TAPE: 20 - 80gf.
 (PEELING DIRECTION AS SHOWN IN FOLLOWING FIGURE)
 - MATERIAL: BLACK P.S CONDUCTIVE, BLACK

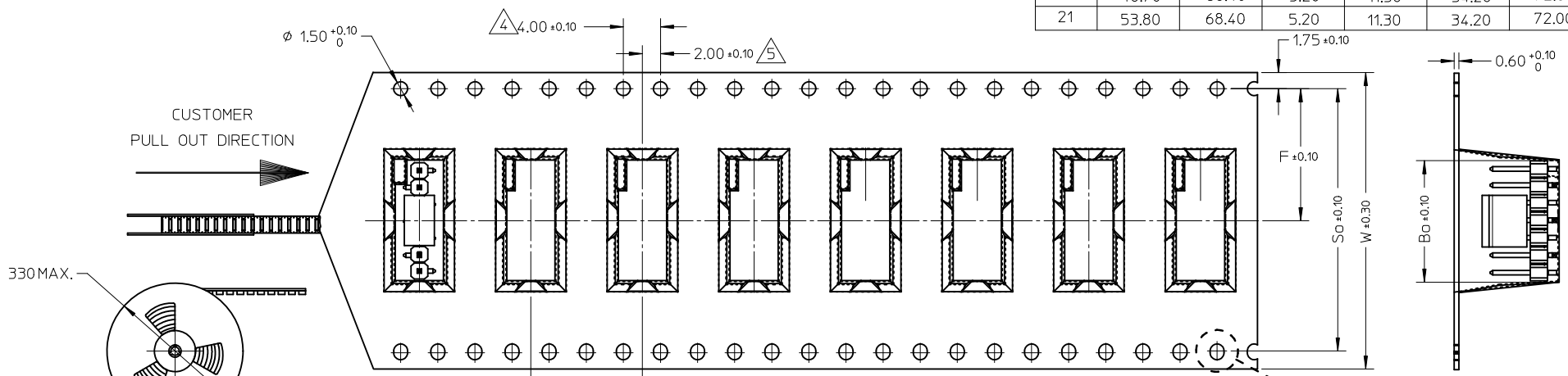
**PART PACK
IN E/TAPE
ORIENTATION
(FOR REF USE)**

| | | | | | | | | | |
|---|---|---------------------------------------|-------|----------------------------|----------------------|--|------------------------------|------------------------|--|
| EWR#1228, +0209 EC NO: S2010-0966 DRW:NATSEE 2010/05/20 CHKD:PTLM 2005/03/29 APPR:MLONG 2010/06/08 | QUALITY SYMBOLS ▽F=0 ▽F=0 ▽F=0 | GENERAL TOLERANCES (UNLESS SPECIFIED) | | DIMENSION STYLE MM ONLY | | SCALE NTS | DESIGN UNITS METRIC | THIRD ANGLE PROJECTION | |
| | | mm | INCH | DRAWN BY YLQ1A0 | DATE 2005/03/14 | TITLE CUSTOM HEADER 2.54MM PITCH SINGLE ROW SINGLE WAFER SMT HEADER | | | |
| B3 | REV | 4 PLACES | ± --- | ± --- | CHECKED BY PTL IM | DATE 2005/03/29 | MATERIAL NO. MLONG | | |
| | | 3 PLACES | ± --- | ± --- | APPROVED BY MLONG | DATE 2010/03/10 | DOCUMENT NO. SD-87898-001 | | |
| DRAFT WHERE APPLICABLE MUST REMAIN WITHIN DIMENSIONS | | SEE TABLE | | SHEET NO. 19 OF 20 | | SHEET NO. 19 OF 20 | | | |
| THIS DRAWING CONTAINS INFORMATION THAT IS PROPRIETARY TO MOLEX INCORPORATED AND SHOULD NOT BE USED WITHOUT WRITTEN PERMISSION | | | | | | | | | |

9 8 7 6 5 4 3 2 1

10 9 8 7 6 5 4 3 2 1

| CKT | DIMENSION | | | | | |
|-----|-----------|-------|------|-------|-------|-------|
| | Bo | So | Ao | Ko | F | W |
| 7 | 18.20 | 40.40 | 5.20 | 11.30 | 20.20 | 44.00 |
| 9 | 23.25 | 40.40 | 5.20 | 11.30 | 20.20 | 44.00 |
| 11 | 28.35 | 40.40 | 5.20 | 11.30 | 20.20 | 44.00 |
| 13 | 33.40 | 52.40 | 5.20 | 11.30 | 26.20 | 56.00 |
| 15 | 38.50 | 52.40 | 5.20 | 11.30 | 26.20 | 56.00 |
| 17 | 43.60 | 68.40 | 5.20 | 11.30 | 34.20 | 72.00 |
| 19 | 48.70 | 68.40 | 5.20 | 11.30 | 34.20 | 72.00 |
| 21 | 53.80 | 68.40 | 5.20 | 11.30 | 34.20 | 72.00 |



NOTES:

- LEADER AND TRAILER TAPE
 160MIN. TOP TAPE TRAILER
 160MIN. TAIL PART (EMPTY)
 390 MIN TOP TAPE NON BONDED TAPE
 230MIN. LEADER PART (EMPTY)
 PEEL OFF DIRECTION
 15° MAX.
- PEELING OFF FORCE OF THE TOP TAPE: 20 - 80gf.
 (PEELING DIRECTION AS SHOWN IN FOLLOWING FIGURE)
 PEEL OFF DIRECTION

**PART PACK
 IN E/TAPE
 ORIENTATION
 (FOR REF USE)**

- MATERIAL: BLACK P.S CONDUCTIVE, BLACK MEASURED FROM CENTRELINE OF SPROCKET HOLE TO CENTRELINE OF SPOCKET
- CUMULATIVE TOLERANCE OF 10 SPROCKET HOLE IS ±0.20mm
- A0 AND B0 ARE MEASURE FROM ABOVE POCKET BASE 0.30mm
- TAPE AND REEL SPECIFICATION IS AS PER EIA-481.
- TAPE AND REEL QUANTITY : 440PCS/REEL
- THE TAPE IS TREATED FOR ANTI-STATIC.
- ALL RADIUS ARE 0.30MM UNLESS SPECIFY
- SURFACE RESISTIVITY 10³ TO 10 OHMS.

| | | | | | | | | |
|---|--------------------------------------|---------------------------------------|-------|----------------------------|----------------------|---|------------------------------|------------------------|
| EWR#1228, +0209 EC NO: S2010-0966 DRW:NATSEE 2010/05/20 CHK:DPTLIM 2005/03/29 APPR:MLONG 2010/06/08 | QUALITY SYMBOLS F=0 E=0 E=0 | GENERAL TOLERANCES (UNLESS SPECIFIED) | | DIMENSION STYLE MM ONLY | | SCALE NTS | DESIGN UNITS METRIC | THIRD ANGLE PROJECTION |
| | | mm | INCH | DRAWN BY YLOIAO | DATE 2005/03/14 | TITLE CUSTOM HEADER 2.54MM PITCH SINGLE ROW SINGLE WAFER SMT HEADER | | |
| REV B3 | DESCRIPTION | 4 PLACES | ± --- | ± --- | CHECKED BY PTLIM | DATE 2005/03/29 | MOLEX INCORPORATED | |
| | | 3 PLACES | ± --- | ± --- | APPROVED BY MLONG | DATE 2010/03/10 | DOCUMENT NO. SD-87898-001 | SHEET NO. 20 OF 20 |
| DRAFT WHERE APPLICABLE MUST REMAIN WITHIN DIMENSIONS | | ANGULAR ± 3 ° | | SEE TABLE | | THIS DRAWING CONTAINS INFORMATION THAT IS PROPRIETARY TO MOLEX INCORPORATED AND SHOULD NOT BE USED WITHOUT WRITTEN PERMISSION | | |

9 8 7 6 5 4 3 2 1