

**PLEASE CHECK WWW.MOLEX.COM FOR LATEST PART INFORMATION**

**Part Number:** [0475939000](#)  
**Status:** **Active**  
**Description:** 1.01mm (.040") Pitch LGA 1366 Processor Socket B ILM Assembly, with Shepherd Hook Lever, Stainless Steel, Lead free

**Documents:**

[3D Model](#)  
[Drawing \(PDF\)](#)

[RoHS Certificate of Compliance \(PDF\)](#)

**General**

Product Family	Processor Sockets
Series	47594
Component Type	Socket
Product Name	LGA1366

**Physical**

Circuits (Loaded)	1366
Circuits (maximum)	1,366
Durability (mating cycles max)	30
Material - Metal	Steel
Material - Plating Mating	Nickel
Packaging Type	Tray
Pitch - Mating Interface (in)	3.150 In
Pitch - Mating Interface (mm)	80.00 mm
Plating min: Mating (µin)	3.15
Plating min: Mating (µm)	80.00
Temperature Range - Operating	-40°C to +88°C
Termination Interface: Style	Surface Mount

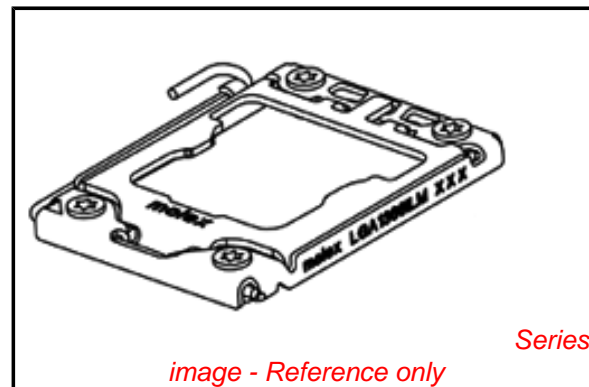
**Electrical**

Current - Maximum per Contact	0.8A
Voltage - Maximum	5V

**Material Info**

**Reference - Drawing Numbers**

Sales Drawing	SD-47593-900
---------------	--------------



**EU RoHS**

**ELV and RoHS  
Compliant**  
**REACH SVHC  
Contains SVHC: No**  
**Halogen-Free  
Status**

**China RoHS**

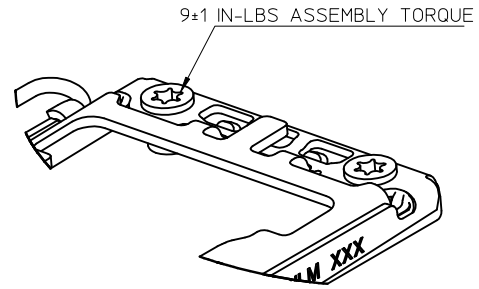
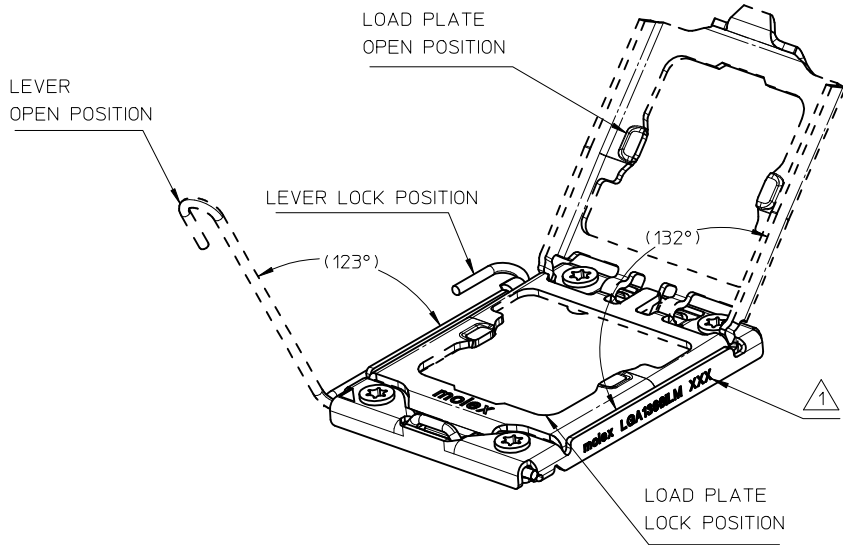


**Need more information on product  
environmental compliance?**

Email [productcompliance@molex.com](mailto:productcompliance@molex.com)  
 For a multiple part number RoHS Certificate of Compliance, [click here](#)

Please visit the [Contact Us](#) section for any non-product compliance questions.

**Search Parts in this Series**  
 47594Series



SCALE 2:1  
DETAIL 1

- NOTES:  
 1. DATE CODE  
 2. INK MARKING, FILL AREA WITH BLACK.  
 3. THE PARTS 475939000/475939100 COMPLIANT TO RoHS DIRECTIVE 2002/95/EC AND ELV 2000/53/EC.

475939005	⑤	4	SOCKET B FASTENER COLLAR	STEEL WITH ZINC PLATING
475939004	④	4	SOCKET B FASTENER NUT	STEEL WITH ZINC PLATING
475939003	475939103	③	HOOK LEVER   STRAIGHT LEVER	STAINLESS STEEL
475939002	②	1	SOCKET B ILM LOAD PLATE	STAINLESS STEEL
475939001	①	1	SOCKET B ILM FRAME	STEEL WITH NICKEL PLATING
475939000	475939100		1	SOCKET B ILM ASSEMBLY
PART NO.	ITEM NO	QTY	DESCRIPTION	MATERIAL

ENTER DESCRIPTION EC NO: SH2010-0308 DRWN: ZHANG11 2010/01/27 CHKD: 2010/01/27 APPR: WFDENG 2010/02/03	QUALITY SYMBOLS $F_A=0$ $F_G=0$ $F_P=0$	GENERAL TOLERANCES (UNLESS SPECIFIED)		DIMENSION STYLE MM ONLY		SCALE 1:1	DESIGN UNITS METRIC	THIRD ANGLE PROJECTION	
			mm	INCH	DRAWN BY YQSUN	DATE 2008/10/14	TITLE LGA1366 SOCKET B ILM ASSEMBLY		
		4 PLACES	± ---	± ---	CHECKED BY FORD LIU	DATE 2008/10/14	APPROVED BY WFDENG 2010/01/27		
		3 PLACES	± ---	± ---	MATERIAL NO.		DOCUMENT NO.		
2 PLACES	± 0.2	± ---	DRAFT WHERE APPLICABLE MUST REMAIN WITHIN DIMENSIONS		SEE TABLE		MOLEX INCORPORATED		
1 PLACE	± 0.3	± ---	ANGULAR ± 1/2°		SIZE A3		SD-47593-900		
								SHEET NO. 1 OF 2	
								THIS DRAWING CONTAINS INFORMATION THAT IS PROPRIETARY TO MOLEX INCORPORATED AND SHOULD NOT BE USED WITHOUT WRITTEN PERMISSION	

10 9 8 7 6 5 4 3 2 1

F

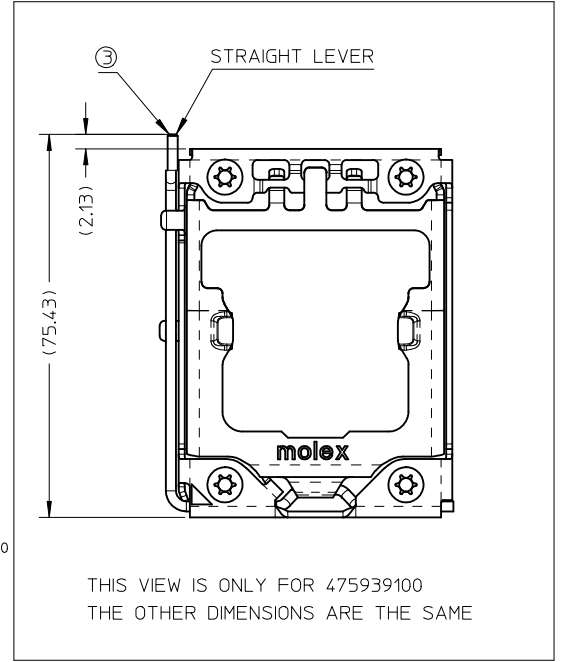
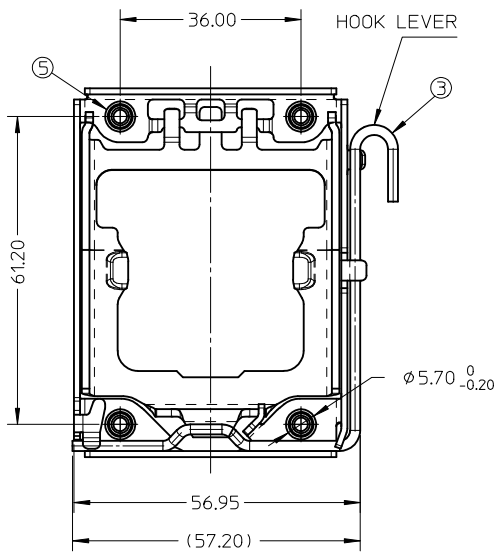
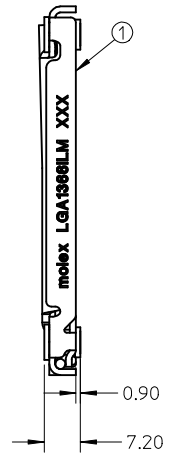
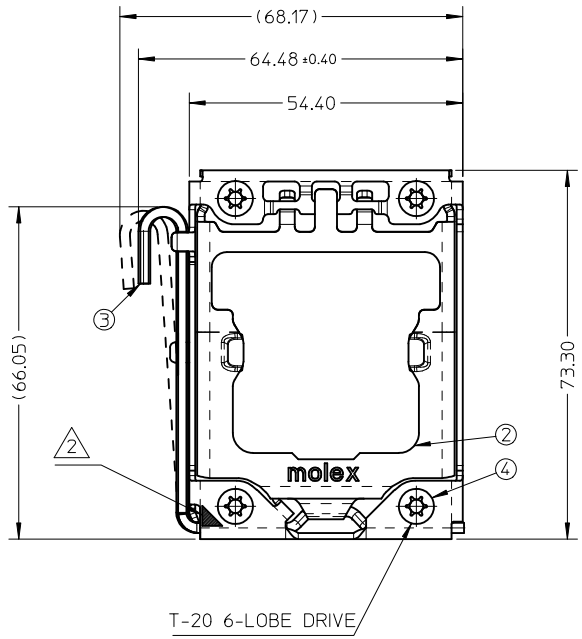
E

D

C

B

A



ENTER DESCRIPTION EC NO: SH2010-0308 DRWN: ZHANG11 CHKD: APPR: WFDENG	2010/01/27 2010/01/27 2010/02/03	QUALITY SYMBOLS	GENERAL TOLERANCES (UNLESS SPECIFIED)		DIMENSION STYLE MM ONLY		SCALE 1:1	DESIGN UNITS METRIC	THIRD ANGLE PROJECTION
		$F_A=0$ $F_C=0$ $F_P=0$	mm INCH 4 PLACES ± --- ± --- 3 PLACES ± --- ± --- 2 PLACES ± 0.2 ± --- 1 PLACE ± 0.3 ± ---	DRAWN BY YQSUN	DATE 2008/10/14	TITLE LGA1366 SOCKET B ILM ASSEMBLY			
			ANGULAR ±1/2°	CHECKED BY FORD LIU	DATE 2008/10/14	MOLEX INCORPORATED			
			DRAFT WHERE APPLICABLE MUST REMAIN WITHIN DIMENSIONS	APPROVED BY WFDENG	DATE 2010/01/27	DOCUMENT NO. SD-47593-900	SHEET NO. 2 OF 2		
REV	DESCRIPTION	SIZE A3		THIS DRAWING CONTAINS INFORMATION THAT IS PROPRIETARY TO MOLEX INCORPORATED AND SHOULD NOT BE USED WITHOUT WRITTEN PERMISSION					

9 8 7 6 5 4 3 2 1