

CLEAR LOGIC

CL7128E
CL7128S

Laser Processed Logic Device Family

Key Features

- ◆ Laser Processed Logic Device (LPLD™) technology offers the ultimate combination of performance, flexibility, and low cost
- ◆ Functionally, architecturally, and electrically compatible with industry-standard Altera® MAX® 7000
- ◆ High Density
 - 2,500 Usable gates
 - 128 Macrocells
 - 120 Maximum user I/O pins
- ◆ Laser fuse technology provides very fast, dense interconnect routing
- ◆ Low current consumption
- ◆ Supports 3.3 volt or 5.0 volt I/O operation
- ◆ Alpha particle immune

CL7000 Product Family Overview

Parameter	CL7128E	CL7160E	CL7192E	CL7256E
	CL7128S	CL7160S	CL7192S	CL7256S
Useable Gates	2,500	3,200	3,750	5,000
Macrocells	128	160	192	256
Logic Blocks	8	10	12	16
Max user I/O pins	100	104	124	164
Speed Grades	-5, -6, -7, -10, -12, -15, -20	-5, -6, -7, -10, -12, -15, -20	-6, -7, -10, -12, -15, -20	-6, -7, -10, -12, -15, -20
Packages	84-pin PLCC 100-pin TQFP 100-pin PQFP 160-pin PQFP	84-pin PLCC 100-pin TQFP 100-pin PQFP 160-pin PQFP	160-pin PQFP	160-pin PQFP 208-pin PQFP 208-pin RQFP

7K tbl 01B

Description

The Clear Logic CL7000 Laser Processed Logic Device (LPLD[®]) family offers the ultimate combination of performance, flexibility, and cost. This family is a system level second source to Altera MAX[®] 7000, 7000E, and 7000S products. For designs not requiring in-system reprogrammability, design verification can be performed using the programmable Altera devices, and Clear Logic LPLDs can be used for low cost, high volume production.

Clear Logic's innovative laser-based technology eliminates NRE costs, test vector development, ordering minimums and long lead times. No re-simulation or re-layout is required, as the device uses a cell-based, PLD-like architecture. Clear Logic's NoFault[®] technology ensures complete test coverage through the use of specialized testing modes which are transparent to the user.

The Clear Logic CL7000 Laser Processed Logic Device family is based upon a large array of macrocells. Each macrocell contains a logic array with five product terms, a product-term select matrix, and a configurable register. A group of sixteen macrocells forms a block. Laser-configured metal fuses implement logical functions and control signal routing.

Laser configuration provides reduced cost and enhanced performance. These inherent performance benefits include extremely consistent propagation delays, reduced power consumption, and improved immunity to noise and upset events.

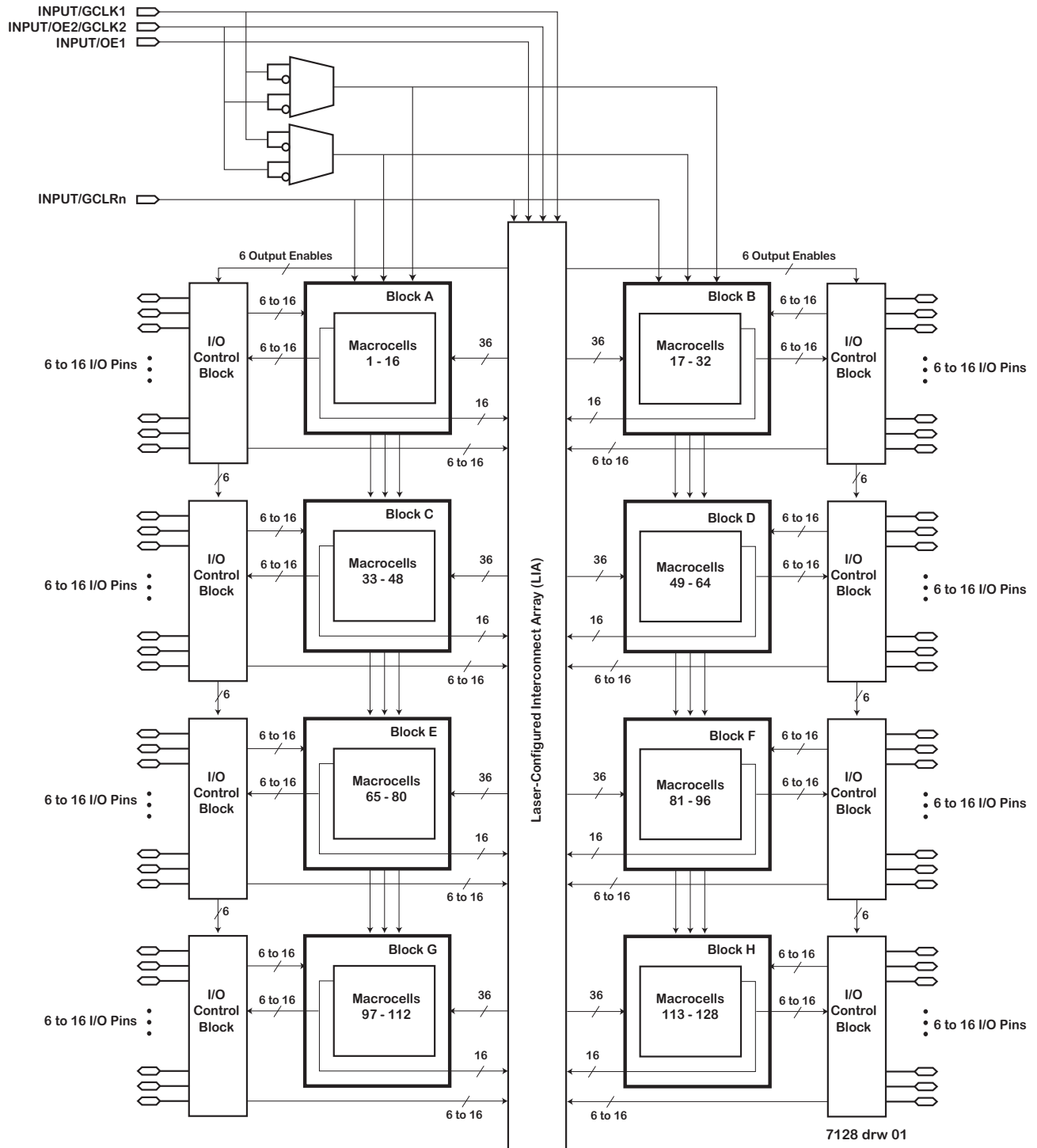
Additional Information

For further information on designing with the CL7000 LPLD family, please consult the following documents:

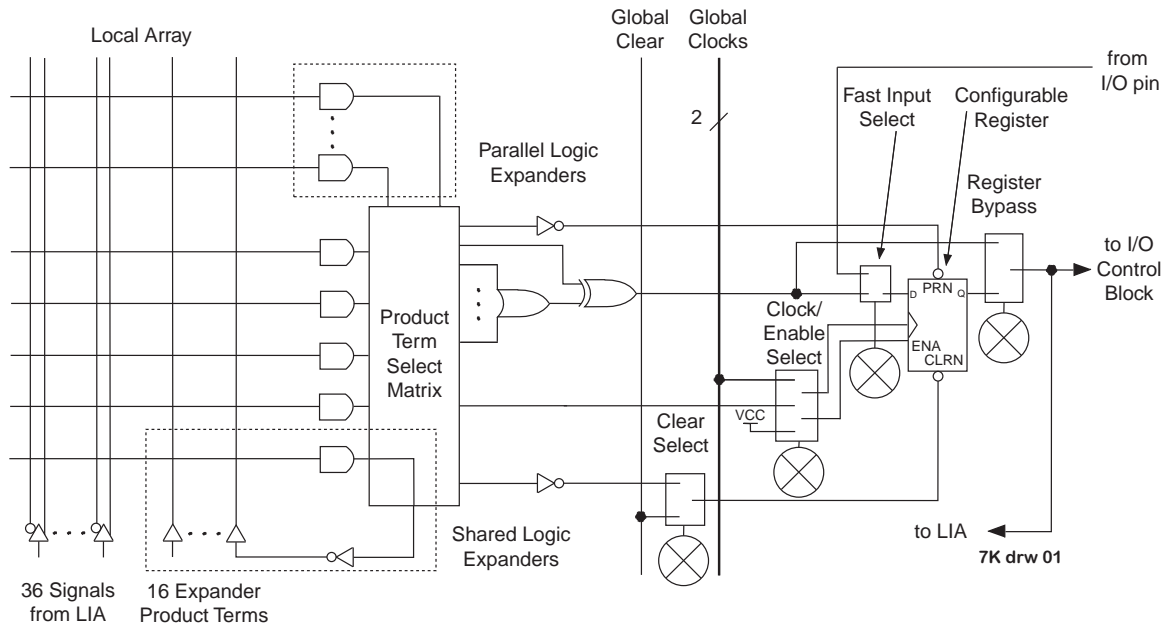
- ◆ AN-01: Requesting a First Article. This document provides instructions on how to submit a bitstream file for generation of first articles.
- ◆ AN-02: Clear Logic Packaging Guide. This document provides specifications and drawings for packages used by the CL7000 family.
- ◆ AN-09: CL7000 Technology White Paper. This document outlines the technologies employed by the CL7000 LPLD family.
- ◆ AN-10: Calculating CL7000 Power Consumption. This document provides guidelines for calculating power consumption based on design characteristics.
- ◆ AN-11: CL7000 Test Methodology. This document describes how Clear Logic provides 100% stuck-at fault coverage.

- ◆ AN-12: CL7000 LPLD Timing and Function Compatibility. This document shows how a seamless conversion from CPLD to ASIC can be achieved with no additional engineering with Clear Logic.

Block Diagram



Macrocell Diagram



Pin Configuration

Pin Name	84 pin PLCC	100 pin PQFP	100 pin TQFP	160 pin PQFP
INPUT/GCLK1	83	89	87	139
INPUT/GCLRn	1	91	89	141
INPUT/OE1	84	90	88	140
INPUT/OE2/GCLK2	2	92	90	142
TDI	14	6	4	9
TMS	23	17	15	22
TCK	62	64	62	99
TDO	71	75	73	112
GNDINT	42, 82	40, 88	38, 86	60, 138
GND	7, 19, 32, 47, 59, 72	13, 28, 45, 61, 76, 97	11, 26, 43, 59, 74, 95	17, 42, 66, 95, 113, 148
VCCINT	3, 43	41, 93	39, 91	61, 143
VCCIO	13, 26, 38, 53, 66, 78	5, 20, 36, 53, 68, 84	3, 18, 34, 51, 66, 82	8, 26, 55, 79, 104, 133
NC (No Connect)	-	-	-	1, 2, 3, 4, 5, 6, 7, 34, 35, 36, 37, 38, 39, 40, 44, 45, 46, 47, 74, 75, 76, 77, 81, 82, 83, 84, 85, 86, 87, 114, 115, 116, 117, 118, 119, 120, 124, 125, 126, 127, 154, 155, 156, 157
Total user I/O pins	64	80	80	96

7128 tbl 01

DC Electrical Specifications

Recommended Operating Conditions

Symbol	Parameter	Conditions	Min	Max	Unit
V _{CCINT}	Supply voltage, internal logic and input buffers		4.75	5.25	V
	Commercial Grade Devices		4.50	5.50	V
V _{CCIO}	DC input voltage		4.75	5.25	V
	5.0 volt commercial		4.50	5.50	V
	5.0 volt industrial		3.00	3.60	V
V _I	Input voltage		-0.5	V _{CCINT} +0.5	V
V _O	Output voltage		0	V _{CCIO}	V
T _A	Operating temperature		0	70	°C
	Commercial temperature range		-40	85	°C
T _J	Junction Operating temperature		0	90	°C
	Commercial temperature range		-40	105	°C
t _R	Input signal rise time			40	ns
t _F	Input signal fall time			40	ns
t _{RVCC}	V _{CC} rise time			100	ms

7K tbl 02

Absolute Maximum Ratings

Symbol	Parameter	Conditions	Min	Max	Unit
V _{CC}	Supply voltage	With respect to ground	-2.0	7.0	V
V _I	DC input voltage ^[1]	With respect to ground	-2.0	7.0	V
I _{OUT}	DC output current, per pin		-25	25	mA
T _{STG}	Storage temperature	No bias	-65	150	°C
T _{AMB}	Ambient temperature	Under bias	-65	135	°C
T _J	Junction temperature	Under bias		135	°C

7K tbl 03

DC Electrical Specifications cont.

DC Electrical Characteristics (over the operating range)

Symbol	Parameter	Conditions	Min	Max	Unit
V_{IH}	High-level input Voltage		2.0	$V_{CCINT} + 0.5$	V
V_{IL}	Input LOW Voltage ^[1]		-0.5	0.8	V
V_{OH}	5.0-V high-level TTL output Voltage	$I_{OH} = -4 \text{ mA DC}, V_{CCIO} = 4.75 \text{ V}$	2.4		V
	3.3-V high-level TTL output Voltage	$I_{OH} = -4 \text{ mA DC}, V_{CCIO} = 3.00 \text{ V}$	2.4		V
	3.3-V high-level CMOS output Voltage	$I_{OH} = -0.1 \text{ mA DC}, V_{CCIO} = 3.0 \text{ V}$	$V_{CCIO} - 0.2$		V
V_{OL}	5.0-V high-level TTL output Voltage	$I_{OL} = 12 \text{ mA DC}, V_{CCIO} = 4.75 \text{ V}$		0.45	V
	3.3-V high-level TTL output Voltage	$I_{OL} = 12 \text{ mA DC}, V_{CCIO} = 3.00 \text{ V}$		0.45	V
	3.3-V high-level CMOS output Voltage	$I_{OL} = 0.1 \text{ mA DC}, V_{CCIO} = 3.0 \text{ V}$		0.2	V
I_{IN}	Input Leakage Current	$V_I = V_{CC}$ or GND	-10	10	μA
I_{OZ}	Output Leakage Current	$V_O = V_{CC}$ or GND	-40	40	μA

7K tbl 04

Capacitance

Symbol	Parameter	Conditions	Min	Max	Unit
C_{IN}	Input Capacitance	$V_{IN} = 0 \text{ V}, f = 1.0 \text{ MHz}$		10	pF
C_{OUT}	Output Capacitance	$V_{OUT} = 0 \text{ V}, f = 1.0 \text{ MHz}$		10	pF

7K tbl 05

AC Electrical Specifications

I/O Element Timing Parameters

Symbol	Parameter	Conditions	Speed: -5		Speed: -6		Speed: -7		Unit
			Min	Max	Min	Max	Min	Max	
t _{PD1}	Input to non-registered output	C _L = 35 pF		5.0		6.0		7.5	ns
t _{PD2}	I/O input to non-registered output	C _L = 35 pF		5.0		6.0		7.5	ns
t _{SU}	Global clock setup time		2.9		3.4		6.0		ns
t _H	Global clock hold time		0.0		0.0		0.0		ns
t _{FSU}	Global clock setup time of fast input		2.5		2.5		3.0		ns
t _{FH}	Global clock hold time of fast input		0.0		0.0		0.5		ns
t _{CO1}	Global clock to output delay	C _L = 35 pF		3.2		4.0		4.5	ns
t _{CH}	Global clock high time		2.0		3.0		3.0		ns
t _{CL}	Global clock low time		2.0		3.0		3.0		ns
t _{ASU}	Array clock setup time		0.7		0.9		3.0		ns
t _{AH}	Array clock hold time		1.8		1.8		2.0		ns
t _{ACO1}	Array clock to output delay	C _L = 35 pF		5.4		6.5		7.5	ns
t _{ACH}	Array clock high time		2.5		3.0		3.0		ns
t _{ACL}	Array clock low time		2.5		3.0		3.0		ns
t _{ODH}	Output data hold time after clock	C _L = 35 pF	1.0		1.0		1.0		ns
t _{CNT}	Minimum global clock period			5.7		6.8		8.0	ns
f _{CNT}	Max. internal global clock frequency		175.4		147.1		125.0		MHz
t _{ACNT}	Minimum array clock period			5.5		6.8		8.0	ns
f _{ACNT}	Max. internal array clock frequency		175.4		147.1		125.0		MHz

7K tbl 06B1

AC Electrical Specifications cont.

External Timing Parameters

Symbol	Parameter	Conditions	Speed: -10P		Speed: -10		Speed: -12		Unit
			Min	Max	Min	Max	Min	Max	
t_{PD1}	Input to non-registered output	$C_L = 35 \text{ pF}$		10.0		10.0		12.0	ns
t_{PD2}	I/O input to non-registered output	$C_L = 35 \text{ pF}$		10.0		10.0		12.0	ns
t_{SU}	Global clock setup time		7.0		7.0		10.0		ns
t_H	Global clock hold time		0.0		0.0		0.0		ns
t_{FSU}	Global clock setup time of fast input		3.0		3.0		3.0		ns
t_{FH}	Global clock hold time of fast input		0.5		0.5		0.0		ns
t_{CO1}	Global clock to output delay	$C_L = 35 \text{ pF}$		5.0		5.0		6.0	ns
t_{CH}	Global clock high time		4.0		4.0		4.0		ns
t_{CL}	Global clock low time		4.0		4.0		4.0		ns
t_{ASU}	Array clock setup time		2.0		2.0		4.0		ns
t_{AH}	Array clock hold time		3.0		5.0		4.0		ns
t_{ACO1}	Array clock to output delay	$C_L = 35 \text{ pF}$		10.0		10.0		12.0	ns
t_{ACH}	Array clock high time		4.0		4.0		5.0		ns
t_{ACL}	Array clock low time		4.0		4.0		5.0		ns
t_{ODH}	Output data hold time after clock	$C_L = 35 \text{ pF}$	1.0		1.0		1.0		ns
t_{CNT}	Minimum global clock period			10.0		10.0		11.0	ns
f_{CNT}	Max. internal global clock frequency		100.0		100.0		90.9		MHz
t_{ACNT}	Minimum array clock period			10.0		10.0		11.0	ns
f_{ACNT}	Max. internal array clock frequency		100.0		100.0		90.9		MHz

7K tbl 06B2

AC Electrical Specifications cont.

External Timing Parameters

Speed: -15

Speed: -20

Symbol	Parameter	Conditions	Min	Max	Min	Max	Unit
t _{PD1}	Input to non-registered output	C _L = 35 pF		15.0		20.0	ns
t _{PD2}	I/O input to non-registered output	C _L = 35 pF		15.0		20.0	ns
t _{SU}	Global clock setup time		11.0		12.0		ns
t _H	Global clock hold time		0.0		0.0		ns
t _{FSU}	Global clock setup time of fast input		3.0		5.0		ns
t _{FH}	Global clock hold time of fast input		0.0		0.0		ns
t _{CO1}	Global clock to output delay	C _L = 35 pF		8.0		12.0	ns
t _{CH}	Global clock high time		5.0		6.0		ns
t _{CL}	Global clock low time		5.0		6.0		ns
t _{ASU}	Array clock setup time		4.0		5.0		ns
t _{AH}	Array clock hold time		4.0		5.0		ns
t _{ACO1}	Array clock to output delay	C _L = 35 pF		15.0		20.0	ns
t _{ACH}	Array clock high time		6.0		8.0		ns
t _{ACL}	Array clock low time		6.0		8.0		ns
t _{ODH}	Output data hold time after clock	C _L = 35 pF	1.0		1.0		ns
t _{CNT}	Minimum global clock period			13.0		16.0	ns
f _{CNT}	Maximum internal global clock frequency		76.9		62.5		MHz
t _{ACNT}	Minimum array clock period			13.0		16.0	ns
f _{ACNT}	Maximum internal array clock frequency		76.9		62.5		MHz

7K tbl 06B3

AC Electrical Specifications cont.

Internal Timing Parameters^[4]

Symbol	Parameter	Conditions	Speed: -5		Speed: -6		Speed: -7		Unit
			Min	Max	Min	Max	Min	Max	
t _{IN}	Input pad and buffer delay			0.2		0.2		0.5	ns
t _{IO}	I/O input pad and buffer delay			0.2		0.2		0.5	ns
t _{FIN}	Fast input delay			2.2		2.6		1.0	ns
t _{SEXP}	Shared expander delay			3.1		3.7		4.0	ns
t _{PEXP}	Parallel expander delay			0.9		1.1		0.8	ns
t _{LAD}	Logic array delay			2.6		3.0		3.0	ns
t _{LAC}	Logic control array delay			2.5		3.0		3.0	ns
t _{IOE}	Internal output enable delay			0.7		0.7		2.0	ns
t _{OD1}	Output buffer and pad delay Slow slew rate = off, V _{CCIO} = 5.0 V	C _L = 35 pF		0.2		0.4		2.0	ns
t _{OD2}	Output buffer and pad delay Slow slew rate = off, V _{CCIO} = 3.3 V	C _L = 35 pF		0.7		0.9		2.5	ns
t _{OD3}	Output buffer and pad delay Slow slew rate = on, V _{CCIO} = 5.0 V or 3.3 V	C _L = 35 pF		5.2		5.4		7.0	ns
t _{ZX1}	Output buffer enable delay Slow slew rate = off, V _{CCIO} = 5.0 V	C _L = 35 pF		4.0		4.0		4.0	ns
t _{ZX2}	Output buffer enable delay Slow slew rate = off, V _{CCIO} = 3.3 V	C _L = 35 pF		4.5		4.5		4.5	ns
t _{ZX3}	Output buffer enable delay Slow slew rate = on, V _{CCIO} = 5.0 V or 3.3 V	C _L = 35 pF		9.0		9.0		9.0	ns
t _{ZX}	Output buffer disable delay	C _L = 5 pF ^[3]		4.0		4.0		4.0	ns
t _{SU}	Register setup time		0.8		1.0		3.0		ns
t _H	Register hold time		1.7		1.7		2.0		ns
t _{FSU}	Register setup time of fast input		1.9		1.9		3.0		ns
t _{FH}	Register hold time of fast input		0.6		0.6		0.5		ns
t _{RD}	Register delay			1.2		1.4		1.0	ns
t _{COMB}	Combinatorial delay			0.9		1.0		1.0	ns
t _{IC}	Array clock delay			2.7		3.1		3.0	ns
t _{EN}	Register enable time			2.6		3.0		3.0	ns
t _{GLOB}	Global control delay			1.6		2.0		1.0	ns
t _{PRE}	Register preset time			2.0		2.4		2.0	ns
t _{CLR}	Register clear time			2.0		2.4		2.0	ns
t _{LIA}	LIA delay			1.1		1.4		1.0	ns

7K tbl 07B1

AC Electrical Specifications cont.

Internal Timing Parameters^[4]

Symbol	Parameter	Conditions	Speed: -10P		Speed: -10		Speed: -12		Unit
			Min	Max	Min	Max	Min	Max	
t _{IN}	Input pad and buffer delay			0.5		0.5		2.0	ns
t _{IO}	I/O input pad and buffer delay			0.5		0.5		2.0	ns
t _{FIN}	Fast input delay			1.0		1.0		1.0	ns
t _{SEXP}	Shared expander delay			5.0		5.0		7.0	ns
t _{PEXP}	Parallel expander delay			0.8		0.8		1.0	ns
t _{LAD}	Logic array delay			5.0		5.0		5.0	ns
t _{LAC}	Logic control array delay			5.0		5.0		5.0	ns
t _{IOE}	Internal output enable delay			2.0		2.0		2.0	ns
t _{OD1}	Output buffer and pad delay Slow slew rate = off, V _{CCIO} = 5.0 V	C _L = 35 pF		1.5		1.5		3.0	ns
t _{OD2}	Output buffer and pad delay Slow slew rate = off, V _{CCIO} = 3.3 V	C _L = 35 pF		2.0		2.0		4.0	ns
t _{OD3}	Output buffer and pad delay Slow slew rate = on, V _{CCIO} = 5.0 V or 3.3 V	C _L = 35 pF		5.5		5.5		7.0	ns
t _{ZX1}	Output buffer enable delay Slow slew rate = off, V _{CCIO} = 5.0 V	C _L = 35 pF		5.0		5.0		6.0	ns
t _{ZX2}	Output buffer enable delay Slow slew rate = off, V _{CCIO} = 3.3 V	C _L = 35 pF		5.5		5.5		7.0	ns
t _{ZX3}	Output buffer enable delay Slow slew rate = on, V _{CCIO} = 5.0 V or 3.3 V	C _L = 35 pF		9.0		9.0		10.0	ns
t _{ZX}	Output buffer disable delay	C _L = 5 pF ^[3]		5.0		5.0		6.0	ns
t _{SU}	Register setup time		2.0		2.0		4.0		ns
t _H	Register hold time		3.0		5.0		4.0		ns
t _{FSU}	Register setup time of fast input		3.0		3.0		2.0		ns
t _{FH}	Register hold time of fast input		0.5		0.5		2.0		ns
t _{RD}	Register delay			2.0		2.0		1.0	ns
t _{COMB}	Combinatorial delay			2.0		2.0		1.0	ns
t _{IC}	Array clock delay			5.0		5.0		5.0	ns
t _{EN}	Register enable time			5.0		5.0		5.0	ns
t _{GLOB}	Global control delay			1.0		1.0		0.0	ns
t _{PRE}	Register preset time			3.0		3.0		3.0	ns
t _{CLR}	Register clear time			3.0		3.0		3.0	ns
t _{LIA}	LIA delay			1.0		1.0		1.0	ns

7K tbl 07B2

AC Electrical Specifications cont.

Internal Timing Parameters^[4]

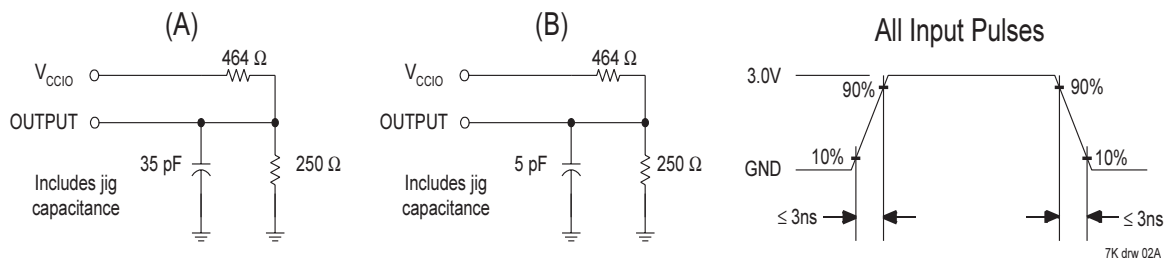
Speed: -15

Speed: -20

Symbol	Parameter	Conditions	Min	Max	Min	Max	Unit
t_{IN}	Input pad and buffer delay			2.0		3.0	ns
t_{IO}	I/O input pad and buffer delay			2.0		3.0	ns
t_{FIN}	Fast input delay			2.0		4.0	ns
t_{SEXP}	Shared expander delay			8.0		9.0	ns
t_{PEXP}	Parallel expander delay			1.0		2.0	ns
t_{LAD}	Logic array delay			6.0		8.0	ns
t_{LAC}	Logic control array delay			6.0		8.0	ns
t_{IOE}	Internal output enable delay			3.0		4.0	ns
t_{OD1}	Output buffer and pad delay Slow slew rate = off, $V_{CCIO} = 5.0\text{ V}$	$C_L = 35\text{ pF}$		4.0		5.0	ns
t_{OD2}	Output buffer and pad delay Slow slew rate = off, $V_{CCIO} = 3.3\text{ V}$	$C_L = 35\text{ pF}$		5.0		6.0	ns
t_{OD3}	Output buffer and pad delay Slow slew rate = on, $V_{CCIO} = 5.0\text{ V}$ or 3.3 V	$C_L = 35\text{ pF}$		8.0		9.0	ns
t_{ZX1}	Output buffer enable delay Slow slew rate = off, $V_{CCIO} = 5.0\text{ V}$	$C_L = 35\text{ pF}$		6.0		10.0	ns
t_{ZX2}	Output buffer enable delay Slow slew rate = off, $V_{CCIO} = 3.3\text{ V}$	$C_L = 35\text{ pF}$		7.0		11.0	ns
t_{ZX3}	Output buffer enable delay Slow slew rate = on, $V_{CCIO} = 5.0\text{ V}$ or 3.3 V	$C_L = 35\text{ pF}$		10.0		14.0	ns
t_{XZ}	Output buffer disable delay	$C_L = 5\text{ pF}^{[3]}$		6.0		10.0	ns
t_{SU}	Register setup time		4.0		4.0		ns
t_H	Register hold time		4.0		5.0		ns
t_{FSU}	Register setup time of fast input		2.0		4.0		ns
t_{FH}	Register hold time of fast input		1.0		3.0		ns
t_{RD}	Register delay			1.0		1.0	ns
t_{COMB}	Combinatorial delay			1.0		1.0	ns
t_{IC}	Array clock delay			6.0		8.0	ns
t_{EN}	Register enable time			6.0		8.0	ns
t_{GLOB}	Global control delay			1.0		3.0	ns
t_{PRE}	Register preset time			4.0		4.0	ns
t_{CLR}	Register clear time			4.0		4.0	ns
t_{LIA}	LIA delay			2.0		3.0	ns

7K tbl 07B3

AC Test Conditions



Notes to Tables

1. During transitions, inputs may undershoot to -2.0V for periods shorter than 20ns. Otherwise, minimum DC input voltage is 0.3V.
2. Typical values are at V_{CC} of 5.0 volts and ambient temperature of 25 °C.
3. Guaranteed but not tested. Characterized initially, and after any design changes which may affect these parameters.
4. Internal timing delays are based on characterization, and cannot be explicitly tested. Internal timing parameters should be used for performance estimation only.

Revision History

- | | |
|---------------|---|
| 11 Jan. 1999: | Created new document |
| 30 Apr. 1999: | Recompiled databook, no changes. |
| 31 July 1999: | Added -5ns speed grade, revised Product Family Overview |
| 13 Oct. 1999: | Corrected typographical error in AC Test Condition diagram (W changed to Ω) |
| 1 Dec. 2000: | Updated application note reference. |

Ordering Information

Part Number	Temperature Range	Package Type	Speed	Altera Equivalent
CL7128ELC84-20	Commercial	84-pin Plastic LCC	-20	EPM7128ELC84-20
CL7128ELC84-15			-15	EPM7128ELC84-15
CL7128ELC84-12			-12	EPM7128ELC84-12
CL7128ELC84-10			-10	EPM7128ELC84-10
CL7128ELC84-7			-7	EPM7128ELC84-7
CL7128ELC84-6			-6	N/A
CL7128ELI84-20	Industrial		-20	EPM7128ELI84-20
CL7128EQC100-20	Commercial	100-pin Plastic QFP	-20	EPM7128EQC100-20
CL7128EQC100-15			-15	EPM7128EQC100-15
CL7128EQC100-12			-12	EPM7128EQC100-12
CL7128EQC100-10			-10	EPM7128EQC100-10
CL7128EQC100-10P			-10 PCI	EPM7128EQC100-10P
CL7128EQC100-7			-7	EPM7128EQC100-7
CL7128EQC100-6			-6	EPM7128EQC100-6
CL7128EQI100-20	Industrial		-20	EPM7128EQI100-20
CL7128EQI100-15		-15	EPM7128EQI100-15	
CL7128EQC160-20	Commercial	160-pin Plastic QFP	-20	EPM7128EQC160-20
CL7128EQC160-15			-15	EPM7128EQC160-15
CL7128EQC160-12			-12	EPM7128EQC160-12
CL7128EQC160-10			-10	EPM7128EQC160-10
CL7128EQC160-10P			-10 PCI	EPM7128EQC160-10P
CL7128EQC160-7			-7	EPM7128EQC160-7
CL7128EQC160-6			-6	N/A

Ordering Information

Part Number	Temperature Range	Package Type	Speed	Altera Equivalent
CL7128SLC84-15	Commercial	84-pin Plastic LCC	-15	EPM7128SLC84-15
CL7128SLC84-10			-10	EPM7128SLC84-10
CL7128SLC84-7			-7	EPM7128SLC84-7
CL7128SLC84-6			-6	EPM7128SLC84-6
CL7128SLC84-5			-5	N/A
CL7128SLI84-10			Industrial	
CL7128SQC100-15	Commercial	100-pin Plastic QFP	-15	EPM7128SQC100-15
CL7128SQC100-10			-10	EPM7128SQC100-10
CL7128SQC100-7			-7	EPM7128SQC100-7
CL7128SQC100-6			-6	EPM7128SQC100-6
CL7128SQC100-5			-5	N/A
CL7128SQI100-10			Industrial	
CL7128STC100-15	Commercial	100-pin Thin QFP	-15	EPM7128STC100-15
CL7128STC100-10			-10	EPM7128STC100-10
CL7128STC100-7			-7	EPM7128STC100-7
CL7128STC100-6			-6	EPM7128STC100-6
CL7128STC100-5			-5	N/A
CL7128STI100-10			Industrial	
CL7128SQC160-15	Commercial	160-pin Plastic QFP	-15	EPM7128SQC160-15
CL7128SQC160-10			-10	EPM7128SQC160-10
CL7128SQC160-7			-7	EPM7128SQC160-7
CL7128SQC160-6			-6	EPM7128SQC160-6
CL7128SQC160-5			-5	N/A
CL7128SQI160-10			Industrial	

7128 tbl 02

