

## Specification for approval

Part No. : LWH1070N3

COMMENT

LUXPIA Co., Ltd.

Designed	Checked	Checked	Approved
/	/	/	/

/	/	/	/

Date : 20 . . . . .

Date : 20 . . . . .

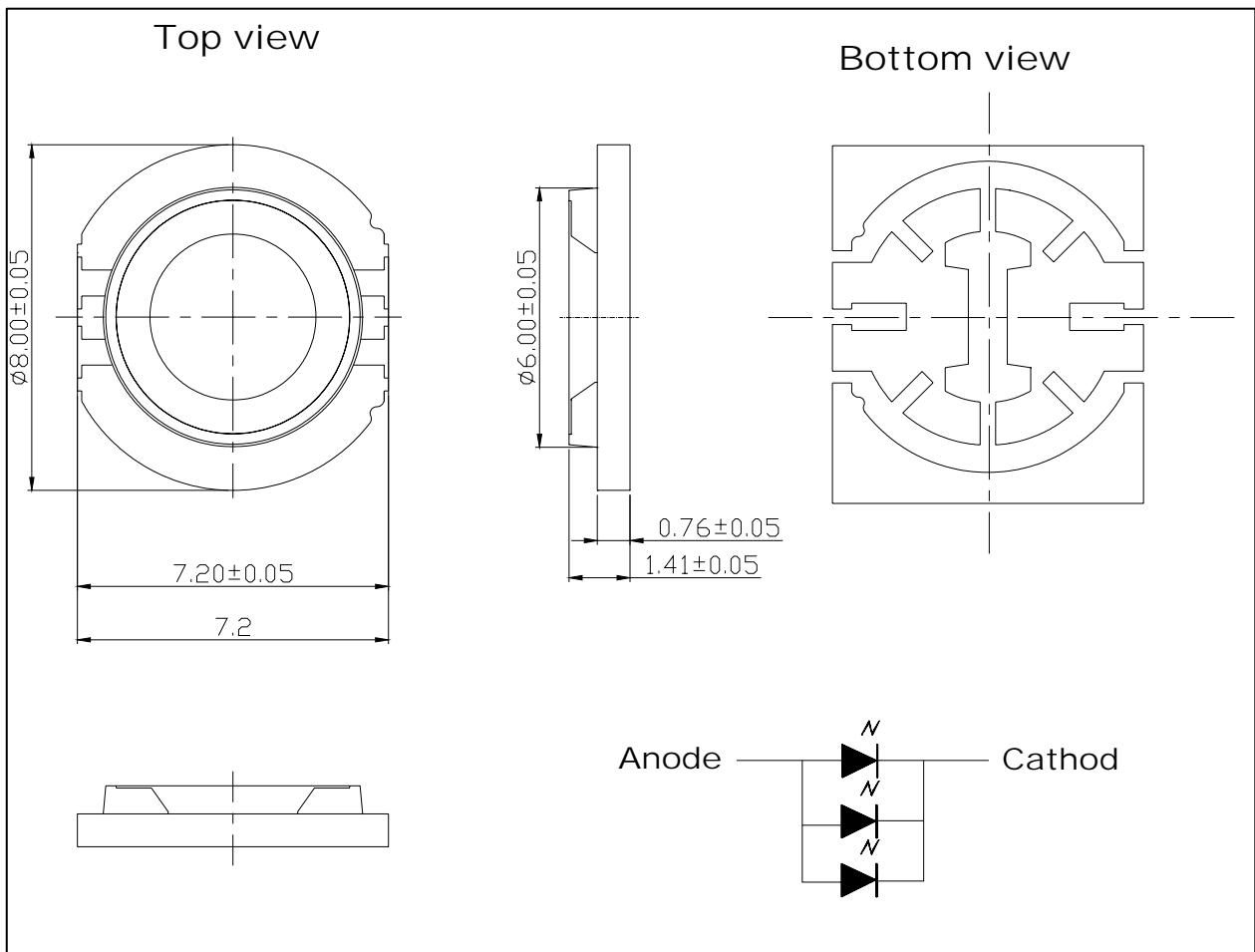
– CONTENTS –

1. Features
2. Package Outline Dimensions and Materials
3. Specifications
4. Reliability
5. Cautions
6. Warranty
7. Others
8. Characteristic Diagrams
9. Taping Dimensions
10. Packing

## 1. Features

- Package : SMD Top View Type (3 Chip in 1PKG)
- 8.0 × 7.2 × 1.4 mm(L×W×H) size surface mount type
- Viewing angle : extremely wide(120°)
- Technology : InGaN
- Soldering methods : IR reflow soldering
- ESD Free

## 2. Package Outline Dimensions



### 3. Specifications

(1) Absolute Maximum Ratings

(Ta=25°C)

Item	Symbol	Absolute Maximum Rating	Unit
Forward Current	$I_F$	90	mA
*1 Pulse Forward Current	$I_{FP}$	300	mA
Power Dissipation	$P_D$	270	mW
Junction Temperature	$T_j$	110	°C
Operating Temperature	$T_{opr}$	-30 ~ +85	°C
Storage Temperature	$T_{stg}$	-40 ~ +100	°C
Soldering Temperature	$T_{sol}$	Reflow Soldering : 260°C for 10 sec. Hand Soldering : 350°C for 3 sec.	°C

\*1.  $I_{FP}$  Conditions : Pulse Width ≤ 10msec. and Duty ≤ 1/10

(2) Initial Electrical/Optical Characteristics

(Ta=25°C)

Item		Symbol	Condition	Min.	Typ.	Max.	Unit
Forward Voltage	Rank 1	$V_F$	$I_F = 80\text{mA}$	3.0		3.5	V
Luminous Intensity	Rank S	$I_v$	$I_F = 80\text{mA}$	3600		5000	mcd
	Rank T			5000		7000	
	Rank U			7000		9000	

\* Forward Voltage Measurement allowance is ±3%.

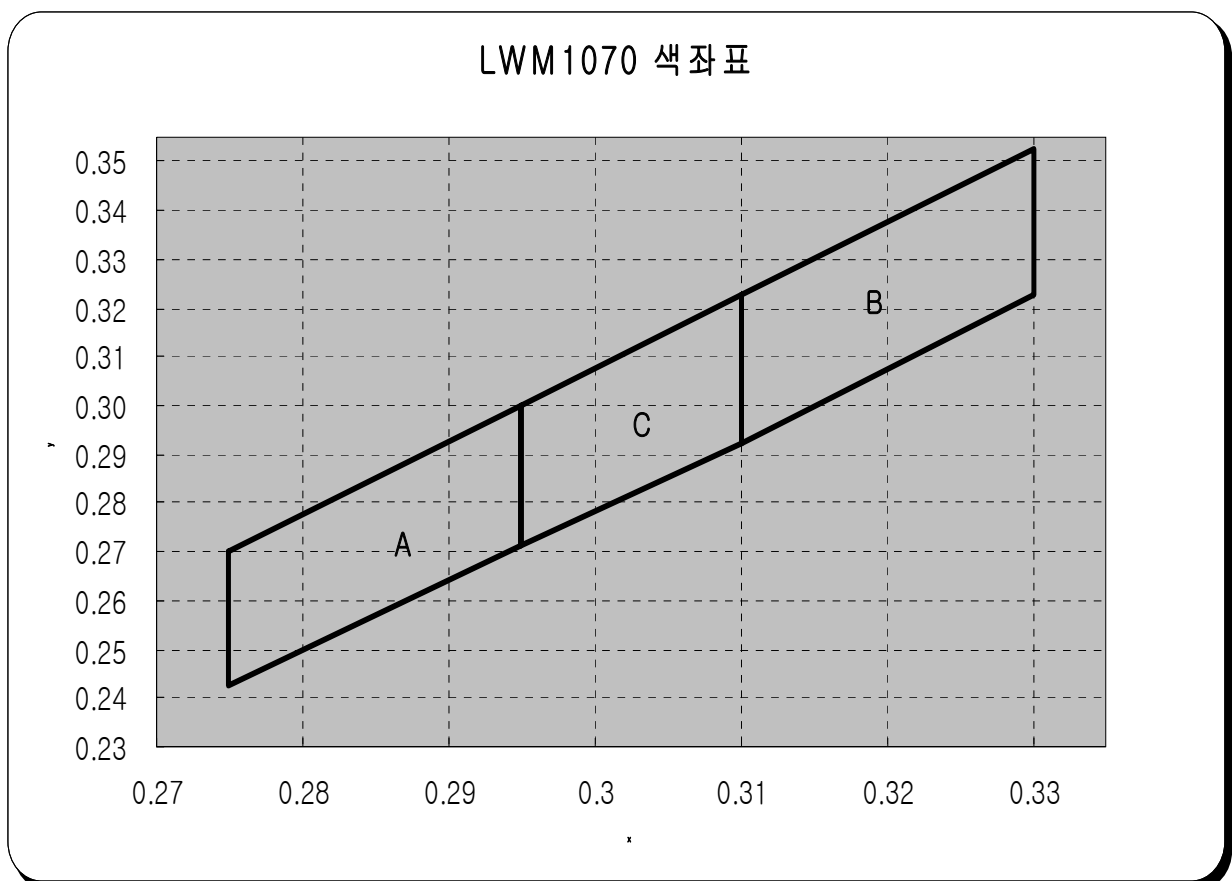
\* Luminous Intensity Measurement allowance is ±10%.

### (3) Color Ranks

( $I_F=80\text{mA}$ ,  $T_a=25^\circ\text{C}$ )

RANK		Color Coordinates			
A	x	0.275	0.275	0.295	0.295
	y	0.265	0.2355	0.2665	0.295
B	x	0.31	0.31	0.33	0.33
	y	0.3175	0.2875	0.3175	0.3475
C	x	0.295	0.295	0.31	0.31
	y	0.295	0.2665	0.2875	0.3175

\* Color Coordinates Measurement allowance is  $\pm 0.01$



## 4. Reliability

(1) Test items and results

NO	Test Item	Standard Test Method	Test Conditions	Note	Number of Damaged
1.	Resistance to Soldering Heat (Reflow Soldering)	JEITA ED-4701 300 301	Tsld=260°C, 10sec. (Pre treatment 30°C, 70%, 12hrs)	2 times	0/22
2	Solderability (Reflow Soldering)	JEITA ED-4701 300 303	Tsld=215±5°C, 3sec (Lead Solder)	1 time over 95%	0/22
3	Temperature Cycle	JEITA ED-4701 100 105	-40°C~25°C~100°C ~25°C 30min. 5min. 30min. 5min	100 cycles	0/22
4	High Temperature Storage	JEITA ED-4701 200 201	Ta=100°C	1000 hrs	0/22
5	Temperature Humidity Storage	JEITA ED-4701 100 103	Ta=60°C, RH=90%	1000 hrs	0/22
6	Low Temperature Storage	JEITA ED-4701 200 202	Ta=-40°C	1000 hrs	0/22
7	Steady State Operating Life Condition 1		Ta=25°C, IF=80mA	1000 hrs	0/22
8	Steady State Operating Life Condition 2		Ta=25°C, IF=90mA	500 hrs	0/22
9	Steady State Operating Life of High Temperature		Ta=85°C, IF=15mA	1000 hrs	0/22
10	Steady State Operating Life of High Humidity Heat		60°C, RH=90%, IF=60mA	500 hrs	0/22
11	Steady State Operating Life of Low Temperature		Ta=-30°C, IF=80mA	1000 hrs	0/22

(2) Criteria for judging the damage

ITEM	Symbol	Test Condition	Criteria for Judgement	
			Min.	Max.
Forward Voltage	$V_F$	$I_F = 80\text{mA}$	-	U.S.L. *) $\times 1.1$
Luminous Intensity	$I_V$	$I_F = 80\text{mA}$	$I.V \times 0.7$	$I.V \times 1.3$

\*) U.S.L. : Upper Standard Level

L.S.L : Lower Standard Level

## 5. Cautions

White LEDs are devices which are materialized by combining Blue LEDs and special phosphors. Consequently, the color of White LEDs is changed a little by an operating current. Care should be taken after due consideration when using LEDs.

### (1) Moisture Proof Package

- When moisture is absorbed into the SMT package it may vaporize and expand during soldering. There is a possibility that this can cause exfoliation of the contacts and damage to the optical characteristics of the LEDs. For this reason, the moisture proof package is used to keep moisture to a minimum in the package.
- A package of a moisture absorbent material (silica gel) is inserted into the shielding bag. The silica gel changes its color from blue to pink as it absorbs moisture.

### (2) Storage

#### • Storage Conditions

Before opening the package :

The LEDs should be kept at 30°C or less and 90%RH or less. The LEDs should be used within a year. When storing the LEDs, moisture proof packaging with absorbent material (silica gel) is recommended.

After opening the package :

The LEDs should be kept at 30°C or less and 70%RH or less. The LEDs should be soldered within 12 hours after opening the package. If unused LEDs remain, they should be stored in moisture proof packages, such as sealed containers with packages of moisture absorbent material (silica gel). It is also recommended to return the LEDs to the original moisture proof bag and to reseal the moisture proof bag again.

- If the moisture absorbent material (silica gel) has faded away or the LEDs have exceeded the storage time, baking treatment should be performed using the following conditions.  
Baking treatment : more than 24 hours at 65±5°C
- Luxpia LED electrode sections are comprised of a silver plated copper alloy. The silver surface may be affected by environments which contain corrosive gases and so on. Please avoid condition may cause difficulty during soldering operations. It is recommended that the User use the LEDs as soon as possible.
- Please avoid rapid transitions in ambient temperature, especially in high humidity environments where condensation can occur.

### (3) Heat Generation

- Thermal design of the end product is of paramount importance. Please consider the heat generation of the LED when making the system design. The coefficient of temperature increase per input electric power is affected by the thermal resistance of the circuit board and density of LED placement on the board, as well as other components. It is necessary to avoid intense heat generation and operate within the maximum ratings given in this specification.



- The operating current should be decided after considering the ambient maximum temperature of LEDs.

#### (4) Soldering Conditions

- The LEDs can be soldered in place using the reflow soldering method. Luxpia cannot make a guarantee on the LEDs after they have been assembled using the dip soldering method.

- Recommended soldering conditions

	Reflow Soldering		Hand Soldering	
	Lead Solder	Lead-free Solder	Temperature	350°C Max
Pre-heat	120~150°C	180~200°C	Soldering time	3sec Max (one time only)
Pre-heat time	120sec Max	120sec Max		
Peak temperature	240°C Max	260°C Max		
Soldering time	10sec Max	10sec Max		
Condition	refer to Temperature- profile ①	refer to Temperature- profile ②		

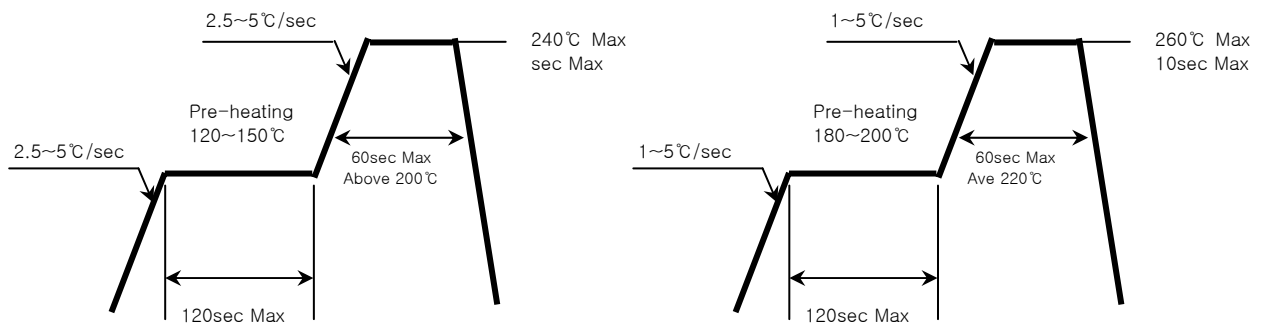
\* After reflow soldering rapid cooling should be avoided.

[Temperature-profile (Surface of circuit board)]

Use the conditions shown to the under figure.

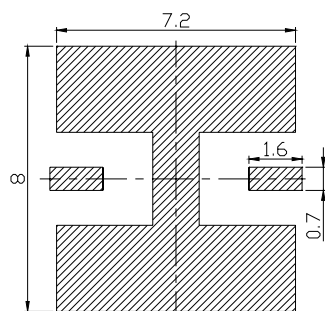
<① : Lead Solder>

<② : Lead-free Solder>



[Recommended soldering pad design]

Use the following conditions shown in the figure.



(Unit : mm)

- Occasionally there is a brightness decrease caused by the influence of heat or ambient atmosphere during air reflow. It is recommended that the User use the nitrogen reflow method.
- Repairing should not be done after the LEDs have been soldered. When repairing is unavoidable, a double-head soldering iron should be used. It should be confirmed beforehand whether the characteristics of the LEDs will or will not be damaged by repairing.
- Reflow soldering should not be done more than two times.
- When soldering, do not put stress on the LEDs during heating.
- After soldering, do not warp the circuit board.

## (5) Cleaning

- It is recommended that isopropyl alcohol be used as a solvent for cleaning the LEDs. When using other solvents, it should be confirmed beforehand whether the solvents will dissolve the package and the resin or not. Freon solvents should not be used to clean the LEDs because of worldwide regulations. Do not clean the LEDs by the ultrasonic. When it is absolutely necessary, the influence of ultrasonic cleaning on the LEDs depends on factors such as ultrasonic power and the assembled condition. Before cleaning, a pre-test should be done to confirm whether any damage to the LEDs will occur.

## (6) Static Electricity

- Static electricity or surge voltage damages the LEDs.  
It is recommended that a wrist band or an anti-electrostatic glove be used when handling the LEDs.
- All devices, equipment and machinery must be properly grounded.  
It is recommended that measures be taken against surge voltage to the equipment that mounts the LEDs.
- When inspecting the final products in which LEDs were assembled, it is recommended to check whether the assembled LEDs are damaged by static electricity or not. It is easy to find static-damaged LEDs by a light-on test or a VF test at a lower current (below 1mA is recommended).
- Damaged LEDs will show some unusual characteristics such as the leak current remarkably increases, the forward voltage becomes lower, or the LEDs do not light at the low current.  
Criteria : (VF > 2.0V at IF=10 $\mu$ A)

## (7) Others

- Care must be taken to ensure that the reverse voltage will not exceed the absolute maximum rating when using the LEDs with matrix drive.
- The LED light output is strong enough to injure human eyes. Precautions must be taken to prevent looking directly at the LEDs with unaided eyes for more than a few seconds.
- Flashing lights have been known to cause discomfort in people; you can prevent this by taking precautions during use. Also, people should be cautious when using equipment that has had LEDs incorporated into it.

## 6. Warranty

- (1) Luxpia warrants that its LEDs conform to the foregoing specifications and that Luxpia will convey good title to all LEDs sold.
- (2) LUXPIA Disclaims all other warranties including the implied warranties of merchantability and fitness for a particular purpose.
- (3) In the event any LED supplied by Luxpia is found not to conform to the foregoing specifications within ninety days of receipt, Luxpia will repair or replace the LED, at Luxpia's discretion, provided that the User (1) promptly notifies Luxpia in writing of the details of the defect (2) ships the LEDs at the User's expense to Luxpia for examination, and (3) the defect is due to the negligence of Luxpia and not mishandling or misuse by the User.
- (4) Luxpia will not take responsibility for any trouble that is caused by using the LEDs at conditions exceeding our specifications.
- (5) These specifications are applied only when a LED stands alone and it is strongly recommended that the User of the LEDs confirms the properties upon assembly. Luxpia is not responsible for failures caused during and after assembling.  
It will be excepted from the rule if the failure would caused undoubtedly by Luxpia.
- (6) A claim report stating details about the defect shall be made when returning defective LEDs. Luxpia will investigate the report immediately and inform the user of the results.
- (7) The LEDs described in this brochure are intended to be used for ordinary electronic equipment (Such as office equipment, communications equipment, on the applications in which exceptional quality and reliability are required, particularly when the failure or malfunction of the LEDs may directly jeopardize life or health (such as for airplanes, aerospace, submersible repeaters, nuclear reactor control systems, automobiles, traffic control equipment, life support systems and safety devices)
- (8) LUXPIA's liability for defective lamps shall be limited to replacement and in no event shall LUXPIA be liable for consequential damage or lost profits.

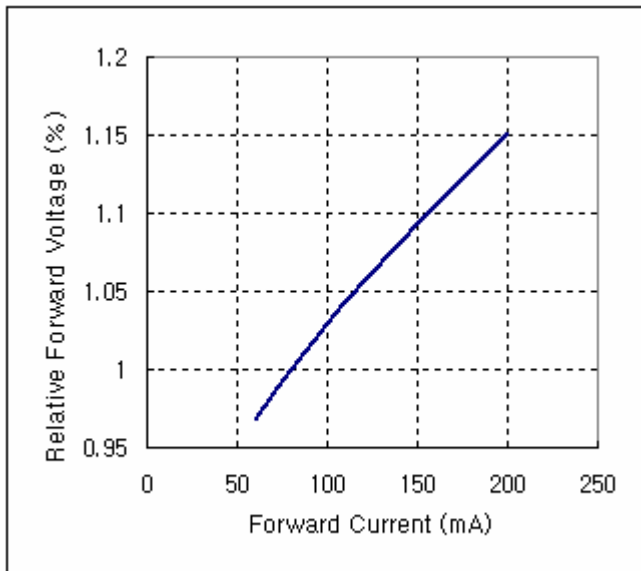
## 7. Others

- (1) The warranties of quality set forth herein are exclusive. All previous negotiations and agreements not specifically incorporated herein are superseded and rendered null and void.
  - (2) Both parties shall sincerely try to find a solution when any disagreement occurs regarding these specifications.
  - (3) User shall not reverse engineer by disassembling or analysis of the LEDs without having prior written consent from Luxpia. When defective LEDs are found, the User shall inform Luxpia directly before disassembling or analysis.
  - (4) These specifications can be revised upon mutual agreement.
  - (5) Luxpia understands that the User accepts the content of these specifications, if the User does not return these specifications with signatures within 3 weeks after receipt.
-

## 8. Characteristic Diagrams

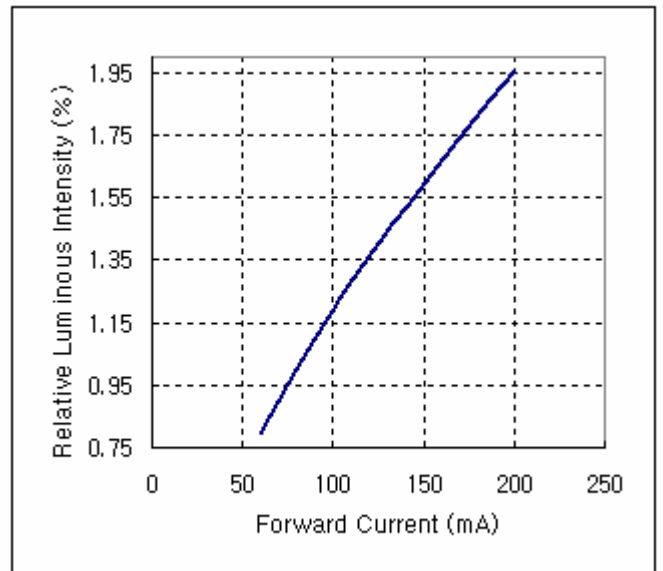
(1) Forward Current vs Forward voltage

Ta=25°C



(2) Forward Current vs Luminous Intensity

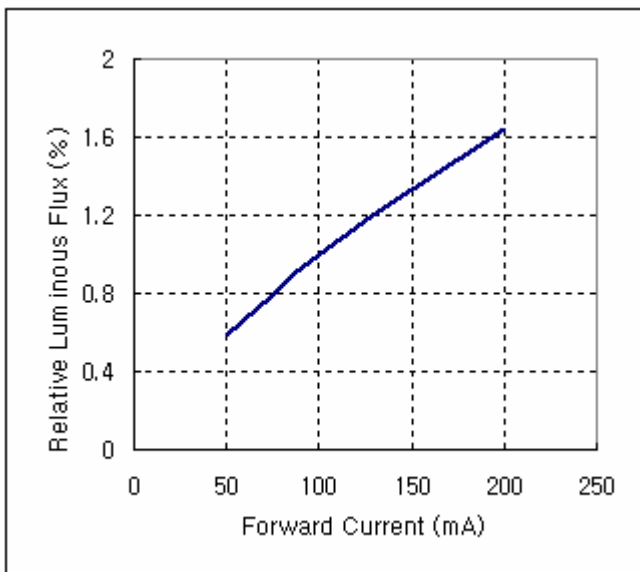
Ta=25°C



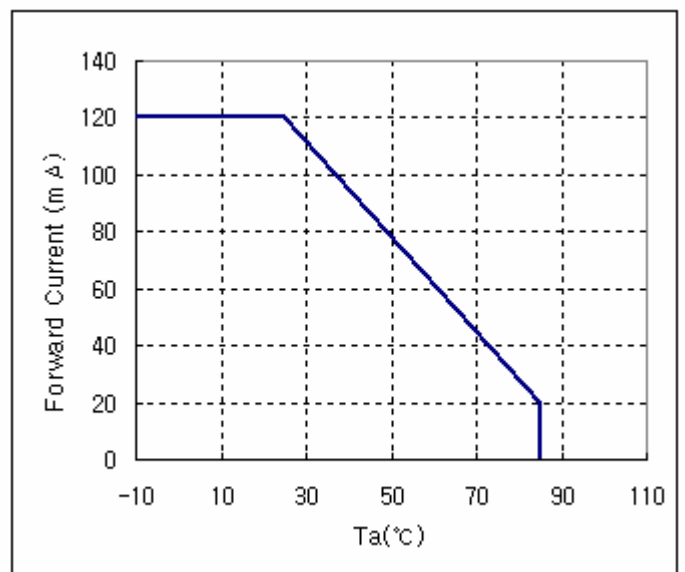
\*IF=80mA, Reference

(3) Forward Current vs Luminous Flux

Ta=25°C

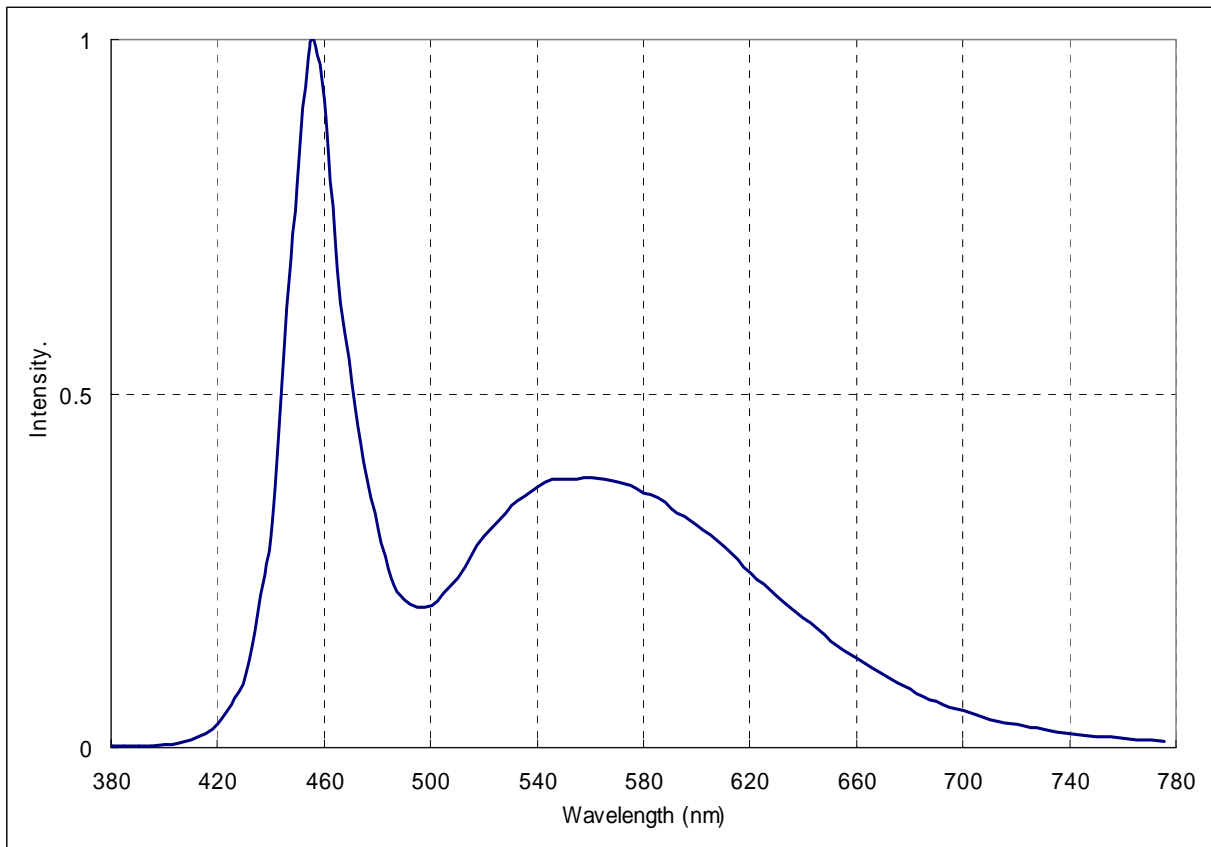


(4) Forward Current vs Junction Temperature



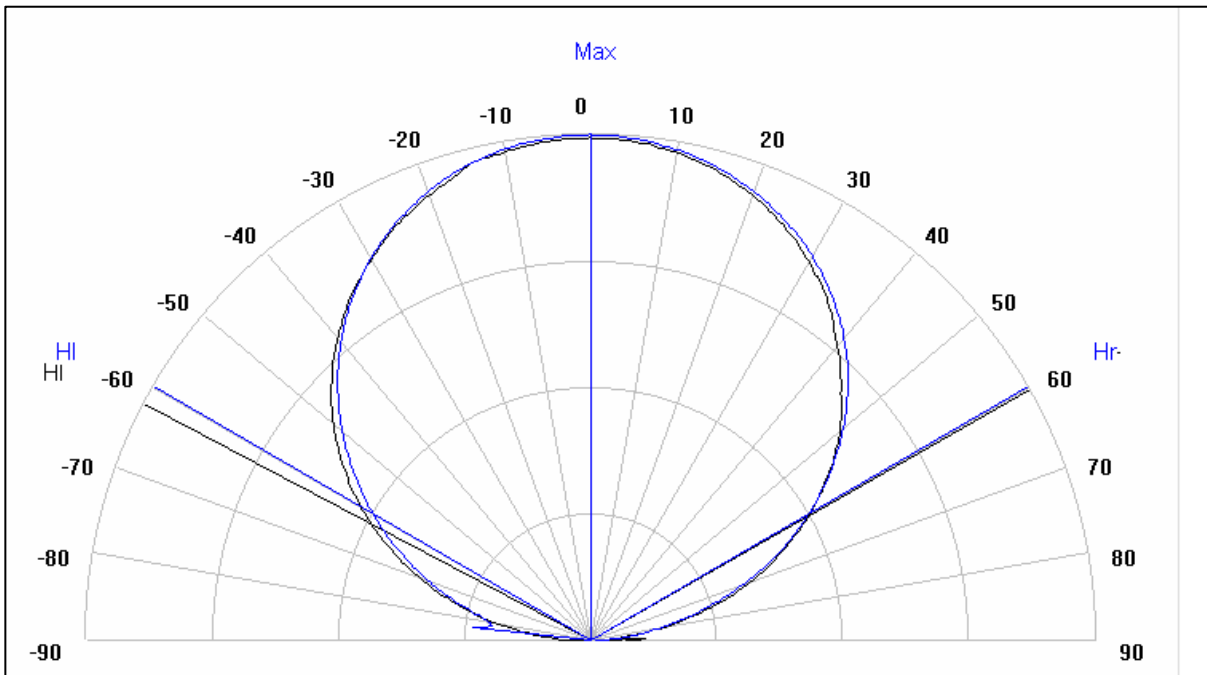
(5) Relative Spectral Emission

$T_a=25^\circ\text{C}$ ,  $I_f = 80\text{mA}$



(6) Radiation Characteristic

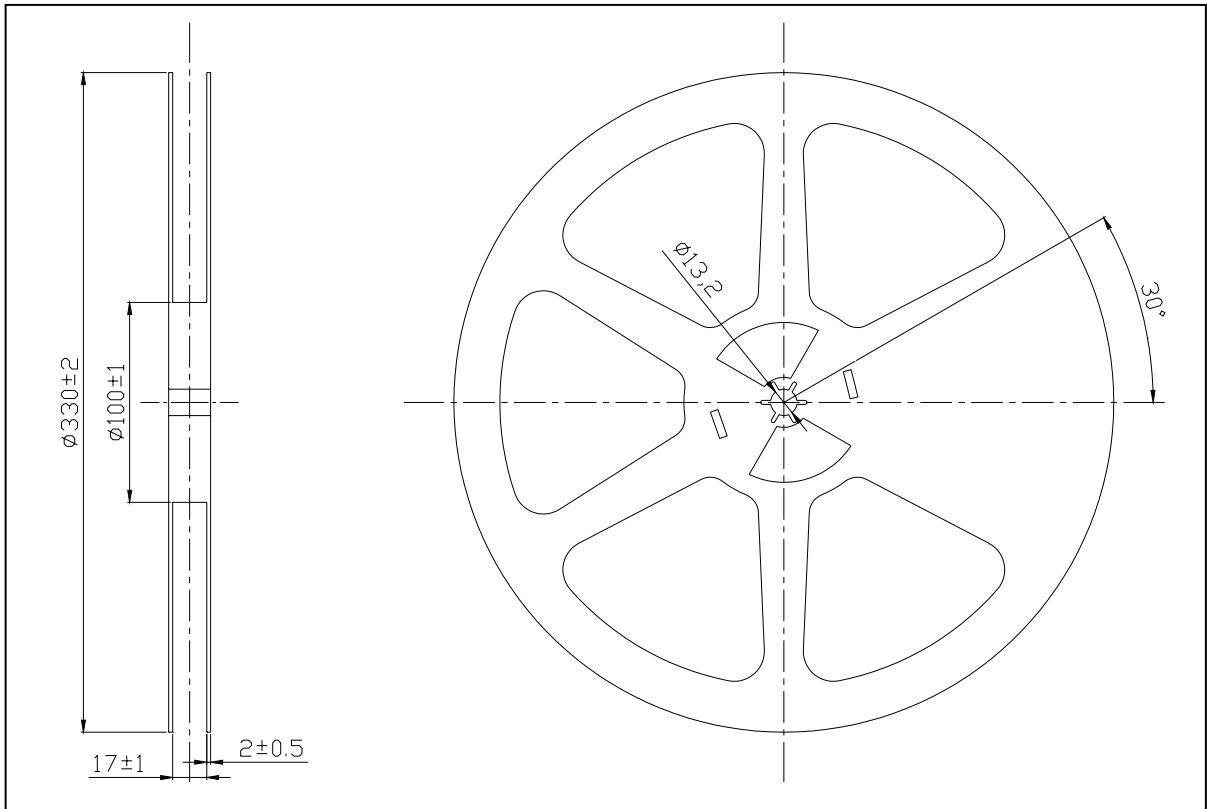
$T_a=25^\circ\text{C}$ ,  $I_f = 80\text{mA}$



### 9. Taping Dimensions

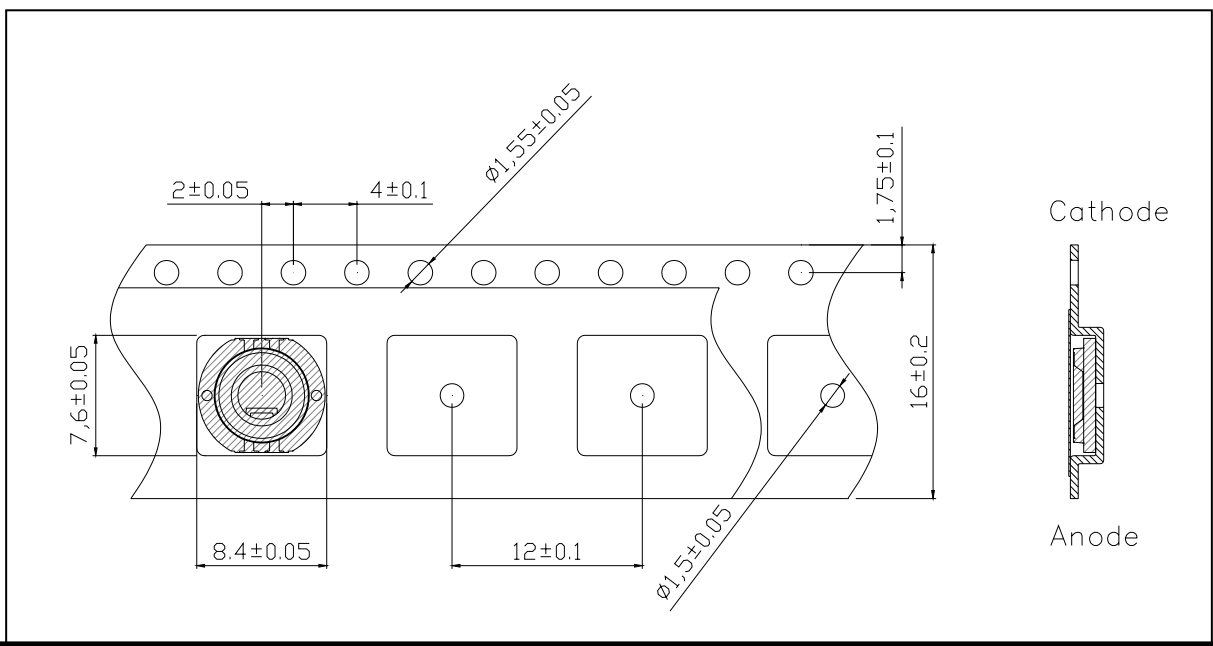
(1) Dimension of wheel((Material : PS Conductive, 10E9~12Ω)

(Unit : mm)

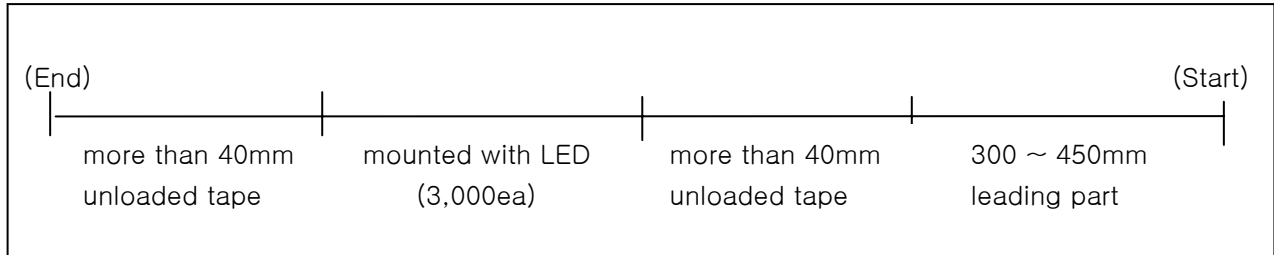


(2) Dimension of tape(Material : PS Conductive, 10E4~5Ω)

(Unit : mm)

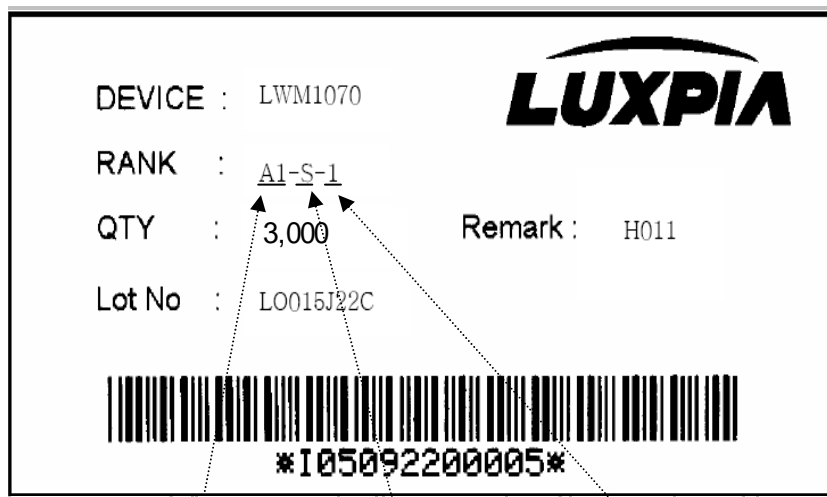


(3) Details of CHIP LEDs loading on tape



(4) Loading quantity per reel : 3,000ea

(5) Label Outline



SIZE(LXW) : 85mm X 50mm

Color Rank(ex. a)      I<sub>v</sub> Rank(ex. XH)      V<sub>F</sub> Rank(ex. 1, 2)

(6) Lot Number

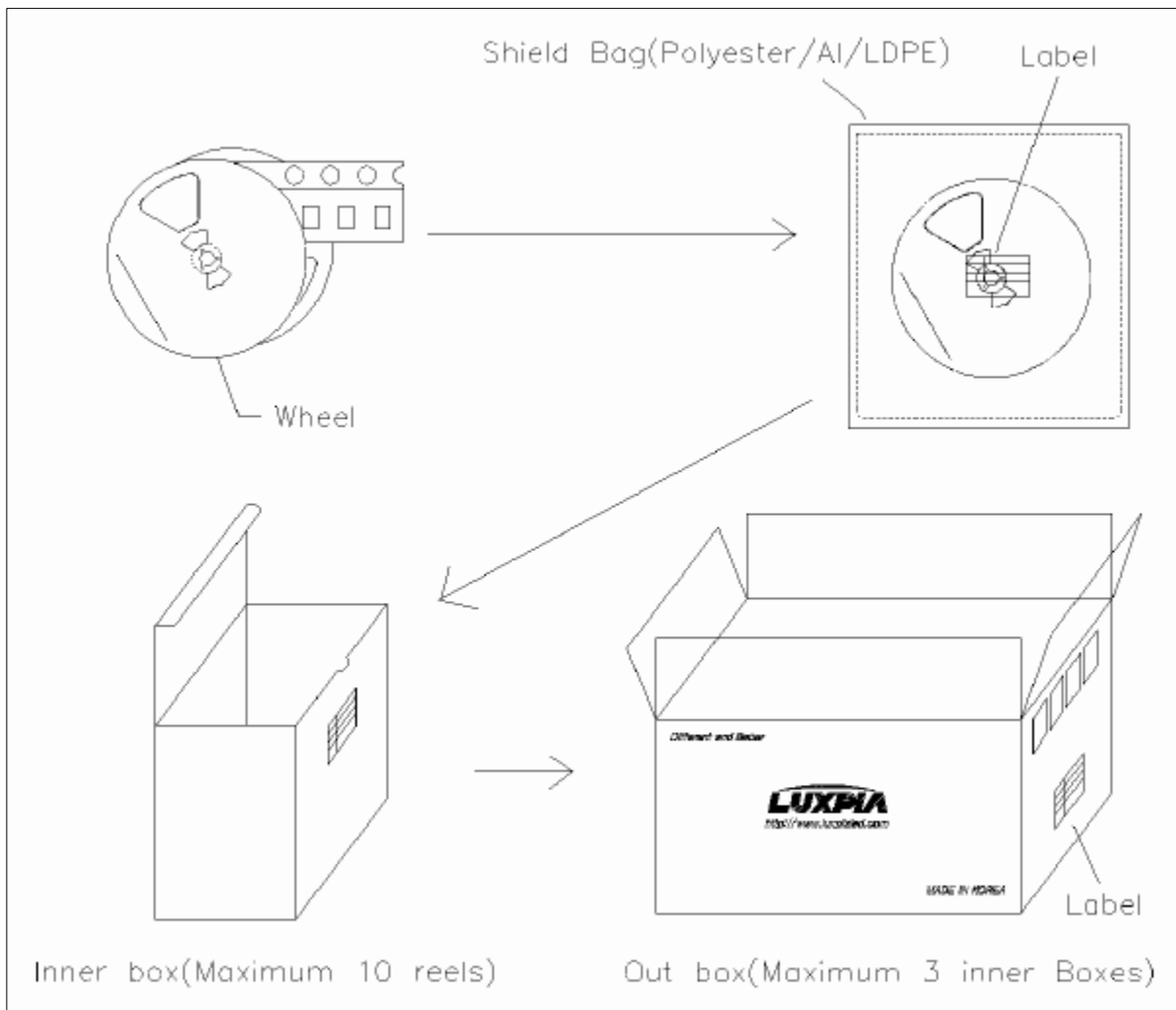
The first six digits number shows lot number

The lot number is composed of the following characters:

○ □ ◇ △ ■ ● - x x x

- - Luxpia Initial (L for Luxpia)
- - Chip Maker (A for Agilent)
- ◇ - Year (04 for 2004, 05 for 2005)
- △ - Month (A for Jan., B for Feb.)
- - Day (01 for 01., 12 for 12.)
- - Product input No. (A for first, B for second.)
- x x x - Luxpia's Product Number

## 10. Packing



- The LEDs are packed in cardboard boxes after taping  
Please refer to figure : page 15  
The label on the minimum packing unit shows : Part Number, Lot Number, Ranking, Quantity
- In order to protect the LEDs from mechanical shock, we pack them in cardboard boxes for transportation.
- The LEDs may be damaged if the boxes are dropped or receive a strong impact against them, so precautions must be taken to prevent any damage.
- The boxes are not water resistant and therefore must be kept away from water and moisture.
- When the LEDs are transported, we recommend that you use the same packing method as Luxpia.
- If a box shows noticeable damage upon arrival at the User's warehouse. It is recommended that the User submit a claim to Luxpia within one weeks after arrival of the products. If the submitted notice regarding the damage exceeds the aforementioned two weeks, it will be treated in the manner shown in term 9.