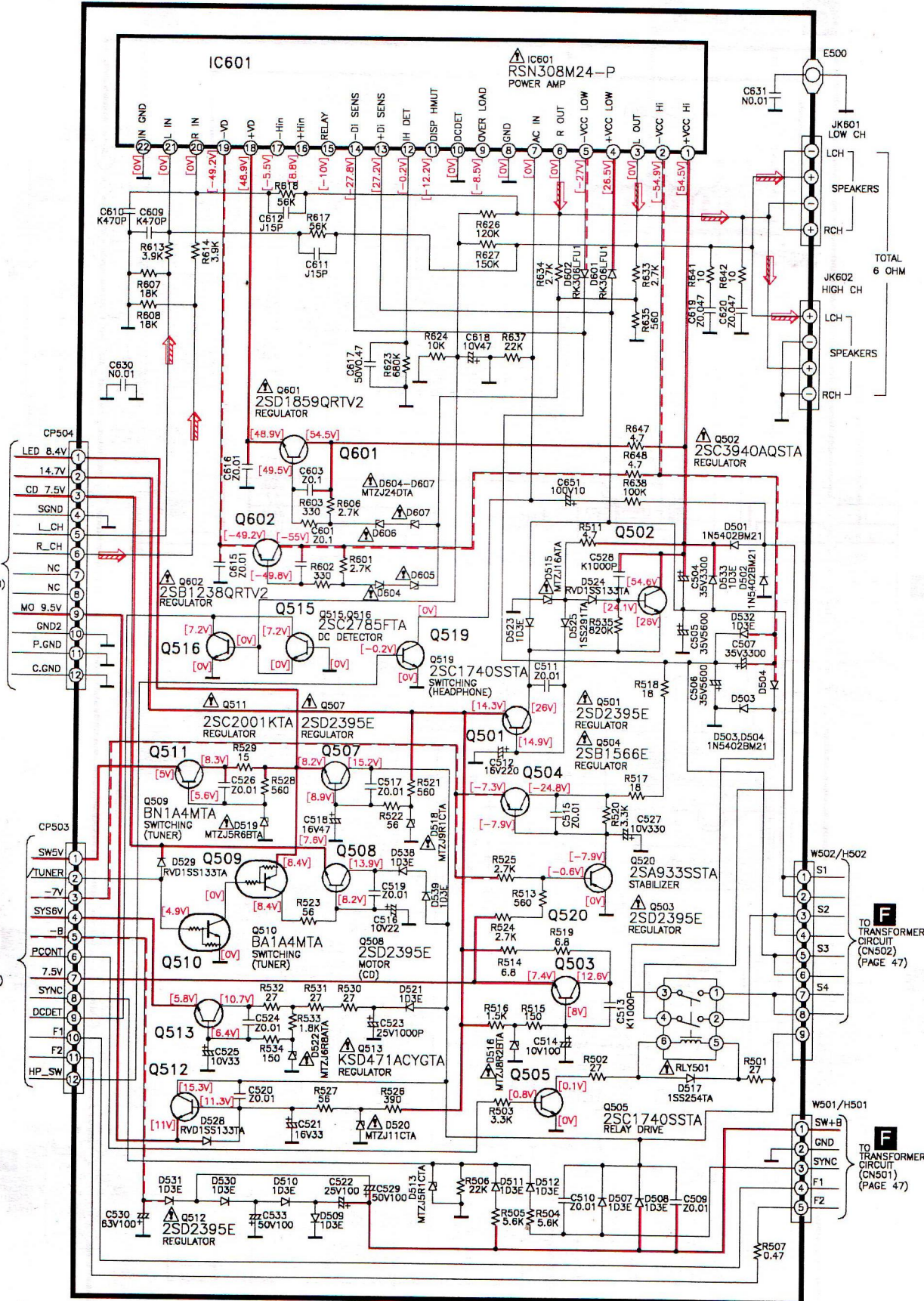


O POWER CIRCUIT FOR GC/GT ONLY



B MAIN CIRCUIT (CN504) (PAGE 28)

B MAIN CIRCUIT (CN503) (PAGE 28)

F TO TRANSFORMER CIRCUIT (CN502) (PAGE 47)

F TO TRANSFORMER CIRCUIT (CN501) (PAGE 47)