

TLE4294GV50

Low Drop Out Voltage Regulator

Automotive Power



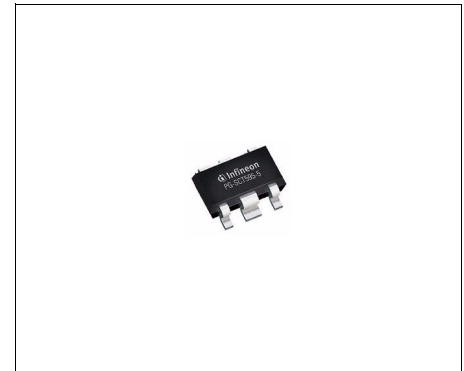
Never stop thinking



1 Overview

Features

- Output voltage tolerance $\leq \pm 4\%$
- Very low drop out voltage
- Output current: 30 mA
- Low quiescent current consumption
- Wide operation range: up to 45 V
- Wide temperature range: $T_j = -40\text{ }^\circ\text{C}$ to $+150\text{ }^\circ\text{C}$
- Output protected against short circuit
- Overtemperature protection
- Reverse polarity protection
- Very small SMD-Package PG-SCT595-5
- Green Product (RoHS compliant)
- AEC Qualified



PG-SCT595-5

Description

The TLE4294 is a monolithic integrated low drop out voltage regulator in the very small SMD package PG-SCT595-5. It is designed to supply e.g. microprocessor systems under the severe conditions of automotive applications. Therefore, the device is equipped with additional protection functions against overload, short circuit and reverse polarity. At overtemperature the regulator is automatically turned off by the integrated thermal protection circuit.

Input voltages up to 40 V are regulated to $V_{Q,nom} = 5.0\text{ V}$. The output is able to drive a load of more than 30 mA, while it regulates the output voltage within a 4% accuracy.

Type	Package	Marking
TLE4294GV50	PG-SCT595-5	F1

2 Block Diagram

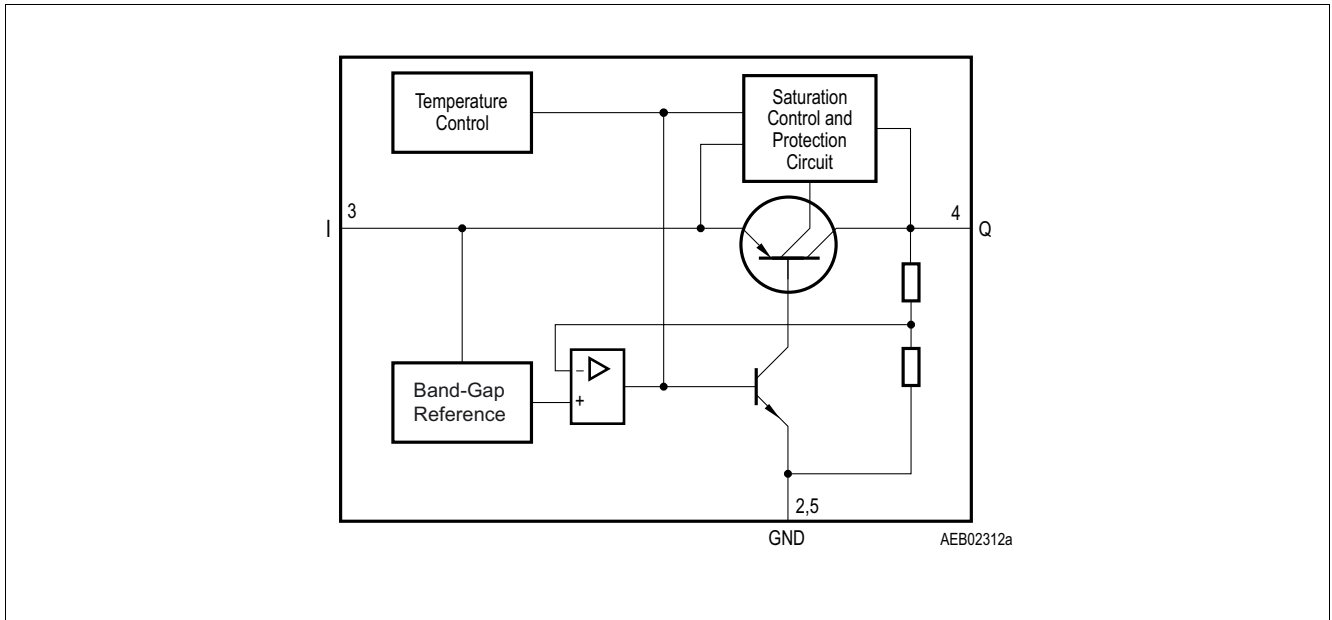


Figure 1 Block Diagram

3 Pin Configuration

3.1 Pin Assignment

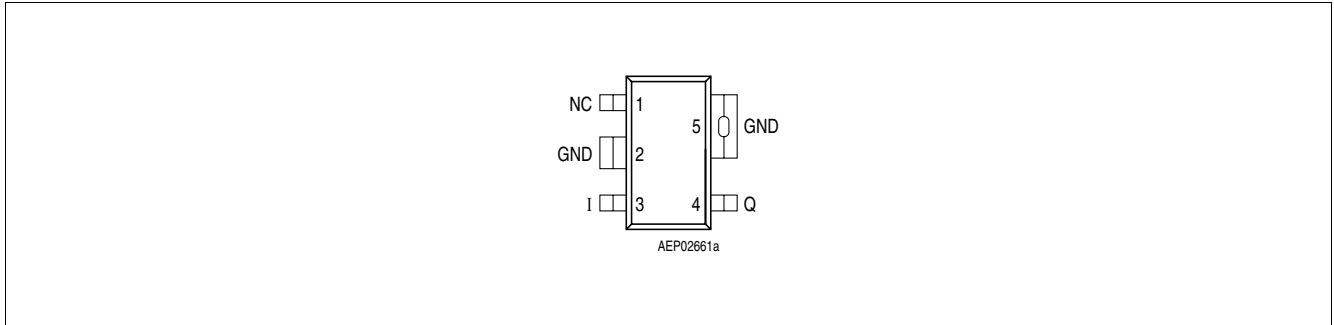


Figure 2 Pin Configuration (top view)

3.2 Pin Definitions and Functions

Table 1 Pin Definitions and Functions

Pin No.	Symbol	Function
1	N.C.	Not connected Internally not connected. Connect to GND
2	GND	Ground reference Connected to pin 5
3	I	Input voltage For compensating line influences, a capacitor to GND close to the IC terminals is recommended
4	Q	Output voltage Block to GND with a capacitor close to the IC terminals, respecting the values given for its capacitance CQ and ESR in the Table 4.2 “Functional Range” on Page 5 (Tantalum capacitor recommended as output capacitor)
5	GND	Ground reference Connect to heatsink area; Connected to pin 2

4 General Product Characteristics

4.1 Absolute Maximum Ratings

Absolute Maximum Ratings ¹⁾

$T_j = -40\text{ °C}$ to $+150\text{ °C}$, all voltages with respect to ground, direction of currents as shown in **Figure 3 “Application Circuit” on Page 7** (unless otherwise specified)

Pos.	Parameter	Symbol	Limit Values		Unit	Conditions
			Min.	Max.		
Input						
4.1.1	Voltage	V_I	-42	45	V	–
4.1.2	Current	I_I	–	–	mA	Internally limited
Output						
4.1.3	Voltage	V_Q	-6	30	V	–
4.1.4	Current	I_Q	–	–	mA	Internally limited
Temperatures						
4.1.5	Junction temperature	T_j	-40	150	°C	–
4.1.6	Storage temperature	T_{stg}	-50	150	°C	–
ESD Susceptibility						
4.1.7	ESD Resistivity	V_{ESD}	-2	2	kV	HBM ²⁾
4.1.8	ESD Resistivity to GND	V_{ESD}	-750	750	V	CDM ³⁾

1) Not subject to production test, specified by design.

2) ESD susceptibility, Human Body Model “HBM” according to EIA/JESD 22-A114B

3) ESD susceptibility, Charged Device Model “CDM” according to EIA/JESD22-C101 or ESDA STM5.3.1

Note: Stresses above the ones listed here may cause permanent damage to the device. Exposure to absolute maximum rating conditions for extended periods may affect device reliability.

Note: Integrated protection functions are designed to prevent IC destruction under fault conditions described in the data sheet. Fault conditions are considered as “outside” normal operating range. Protection functions are not designed for continuous repetitive operation.

4.2 Functional Range

Pos.	Parameter	Symbol	Limit Values		Unit	Conditions
			Min.	Max.		
4.2.1	Input Voltage	V_I	5.5	45	V	–
4.2.2	Output Capacitor Requirements	C_Q	2.2	–	μF	–
4.2.3		ESR_{CQ}	1.5	8	Ω	¹⁾
4.2.4	Junction Temperature	T_j	-40	150	°C	–

1) Equivalent series resistance measured at a frequency of 10 kHz

Note: Within the functional range the IC operates as described in the circuit description. The electrical characteristics are specified within the conditions given in the related electrical characteristics table.

4.3 Thermal Resistance

Pos.	Parameter	Symbol	Limit Values			Unit	Conditions
			Min.	Typ.	Max.		
4.3.1	Junction to Ambient ¹⁾	R_{thJA}	–	179	–	K/W	Footprint only ²⁾
4.3.2			–	99	–	K/W	300mm ² heatsink area on PCB ²⁾
4.3.3			–	87	–	K/W	600mm ² heatsink area on PCB ²⁾
4.3.4			–	80	–	K/W	2s2p PCB ³⁾
4.3.5	Junction to Soldering Point ¹⁾	R_{thJSP}	–	26	–	K/W	Measured to pin 5

1) Not subject to production test, specified by design

2) EIA/JESD 52_2, FR4, 80 × 80 × 1.5 mm; 35μ Cu, 5μ Sn

3) Specified R_{thJA} value is according to JEDEC JESD51-2,-5,-7 at natural convection on FR4 2s2p board; The product (chip+package) was simulated on a 76.2 x 114.3 x 1.5 mm board with 2 inner copper layers (2 x 70μm Cu, 2 x 35μm Cu).

5 Electrical Characteristics

Table 2 Electrical Characteristics

$V_I = 13.5\text{ V}$, $T_j = -40\text{ }^\circ\text{C}$ to $+150\text{ }^\circ\text{C}$, all voltages with respect to ground, direction of currents as shown in **Figure 3** "Application Circuit" on Page 7 (unless otherwise specified)

Pos.	Parameter	Symbol	Limit Values			Unit	Conditions
			Min.	Typ.	Max.		
Output							
5.0.1	Output voltage	V_Q	4.80	5.00	5.20	V	$1\text{ mA} < I_Q < 30\text{ mA}$ $V_I = 13.5\text{ V}$
5.0.2	Output voltage	V_Q	4.80	5.00	5.20	V	$I_Q = 10\text{ mA}$ $6\text{ V} < V_I < 40\text{ V}$
5.0.3	Output current limitation	I_Q	30	–	–	mA	¹⁾
5.0.4	Drop out voltage	V_{dr}	–	0.25	0.40	V	$I_Q = 20\text{ mA}^{1)}$
Current Consumption							
5.0.5	Current consumption $I_q = I_I - I_Q$	I_q	–	2	4	mA	$I_Q < 30\text{ mA}$
5.0.6	Current consumption $I_q = I_I - I_Q$	I_q	–	120	200	μA	$I_Q < 1\text{ mA}$
Regulator Performance							
5.0.7	Load regulation	$ \Delta V_Q $	–	10	25	mV	$1\text{ mA} < I_Q < 25\text{ mA}$; $T_j = 25\text{ }^\circ\text{C}$
5.0.8	Load regulation	$ \Delta V_Q $	–	10	30	mV	$1\text{ mA} < I_Q < 25\text{ mA}$
5.0.9	Line regulation	$ \Delta V_Q $	–	5	25	mV	$\Delta V_I = V_{I, \text{min}}$ to 36 V ; $I_Q = 5\text{ mA}$; $T_j = 25\text{ }^\circ\text{C}$
5.0.10	Line regulation	$ \Delta V_Q $	–	10	30	mV	$\Delta V_I = V_{I, \text{min}}$ to 36 V ; $I_Q = 5\text{ mA}$
5.0.11	Power Supply Ripple Rejection	$PSRR$	–	60	–	dB	$f_r = 100\text{ Hz}$; $V_r = 0.5\text{ Vpp}$

1) Measured when the output voltage V_Q has dropped 100 mV from its nominal value.

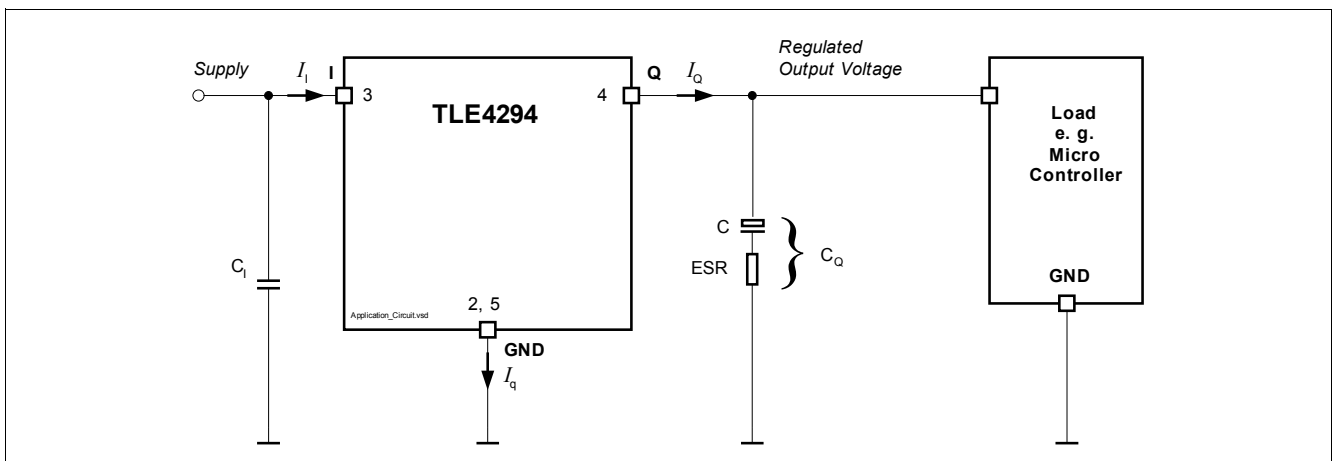


Figure 3 Application Circuit

6 Package Outlines

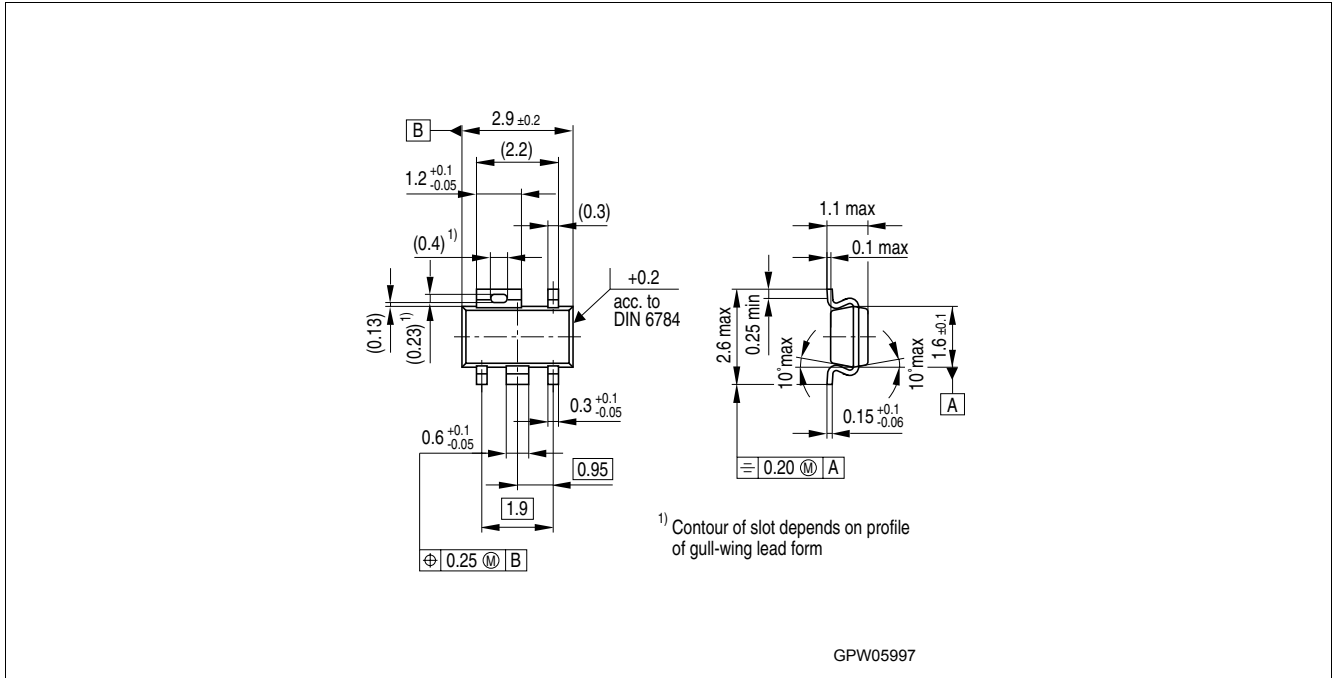


Figure 4 PG-SCT595-5 (Plastic Small Outline)

Green Product (RoHS compliant)

To meet the world-wide customer requirements for environmentally friendly products and to be compliant with government regulations the device is available as a green product. Green products are RoHS-Compliant (i.e. Pb-free finish on leads and suitable for Pb-free soldering according to IPC/JEDEC J-STD-020).

For further information on alternative packages, please visit our website:
<http://www.infineon.com/packages>.

Dimensions in mm

7 Revision History

Revision	Date	Changes
1.1	2008-02-26	Device marking changed to F1
1.0	2007-08-10	Initial Data sheet

Edition 2008-02-26

**Published by
Infineon Technologies AG
81726 Munich, Germany**

**© 2004 Infineon Technologies AG
All Rights Reserved.**

Legal Disclaimer

The information given in this document shall in no event be regarded as a guarantee of conditions or characteristics. With respect to any examples or hints given herein, any typical values stated herein and/or any information regarding the application of the device, Infineon Technologies hereby disclaims any and all warranties and liabilities of any kind, including without limitation, warranties of non-infringement of intellectual property rights of any third party.

Information

For further information on technology, delivery terms and conditions and prices, please contact the nearest Infineon Technologies Office (www.infineon.com).

Warnings

Due to technical requirements, components may contain dangerous substances. For information on the types in question, please contact the nearest Infineon Technologies Office.

Infineon Technologies components may be used in life-support devices or systems only with the express written approval of Infineon Technologies, if a failure of such components can reasonably be expected to cause the failure of that life-support device or system or to affect the safety or effectiveness of that device or system. Life support devices or systems are intended to be implanted in the human body or to support and/or maintain and sustain and/or protect human life. If they fail, it is reasonable to assume that the health of the user or other persons may be endangered.