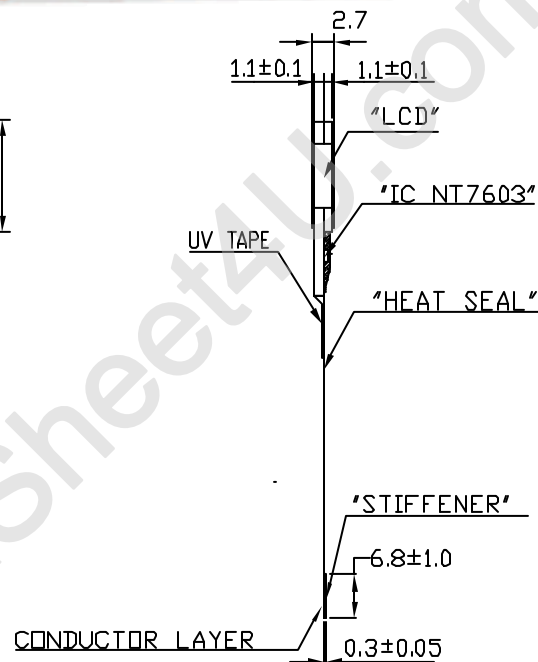
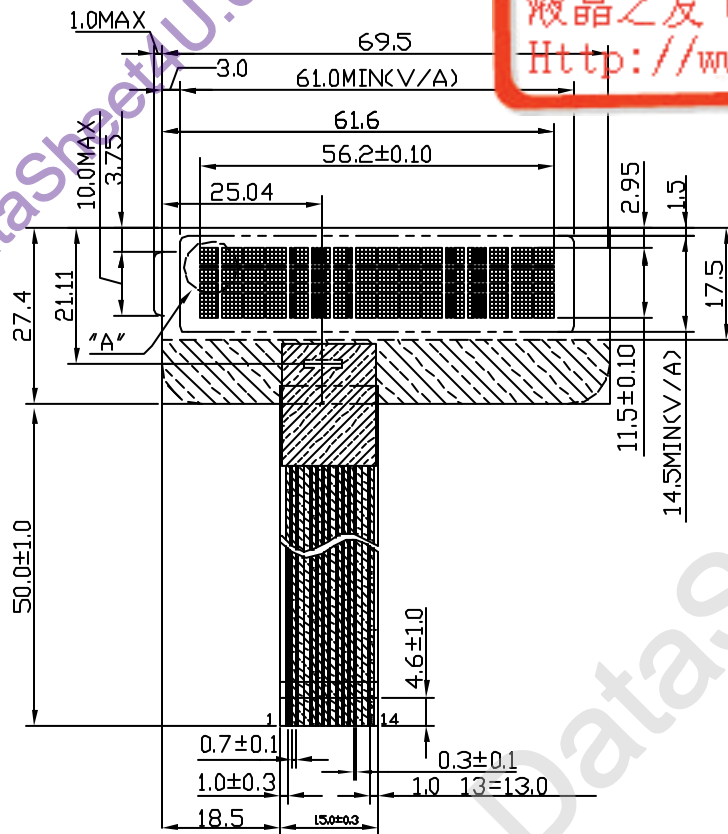
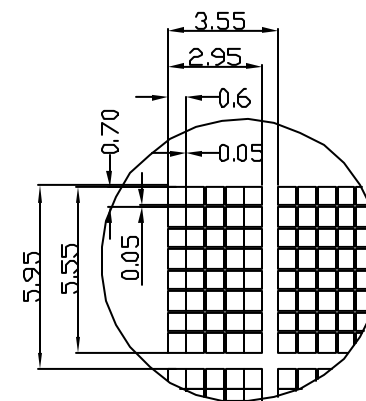


液晶之友 电话: 020-33819057
[Http://www.lcdfriends.com](http://www.lcdfriends.com)



DETAIL "A"



NOTES:

- 1.DISPLAY TYPE: TN, STN, or FSTN
- 2.VIEWING DIRECTION: 6:00 or 12:00
- 3.POLARIZER MODE: REFLECTIVE or TRANFLECTIVE
- 4.OPERATION TEMP: NORMAL or WIDE
- 5.STORAGE TEMP: NORMAL or WIDE
- 6.VDD: 5.0V
- 7.LCD OPERATION VOLTAGE: 4.8V
- 8.DRIVE METHOD: DUTY 1/16 BIAS 1/5
- 9.CONTROLLER: Novatek NT7603H-BDT01
- 10.ALL UNMARKED TOLERANCES: ±0.2mm
- 11.SILICON COATING AREA MUST BE COVER ITO LINES.

1	2	3	4	5	6	7	8	9	10	11	12	13	14
V _{SS}	V _O	V _{DD}	RS	R/W	E	DB0	DB1	DB2	DB3	DB4	DB5	DB6	DB7



TIAN-MA MICROELECTRONICS CO.

22/F., HANGDU Building, Shennan Road, Central, Shenzhen, China

DRAWN BY:	TITLE: TM162N-G	
CHECKED BY:	DWG NO: G-2	SCALE: 1:1
APPROVED BY:	DWG NAME: TM162N G-2	UNIT: mm
CONFIRMED BY:	SHEET NO: 01	