

SAMWIN

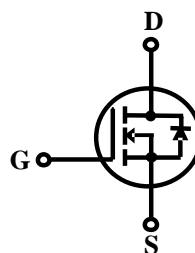
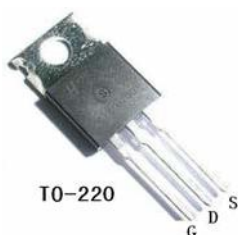
SW840

Features

- **N-Channel MOSFET**
- **V_{DSS} (Minimum) : 500 V**
- **$R_{DS(ON)}$ (Maximum) : 0.85 ohm**
- **I_D : 8.5 A**
- **Q_g (Typical) : 36 nc**
- **P_D (@TC=25 °C) : 125 W**

General Description

This power MOSFET is produced with advanced VDMOS process, planar stripe. This technology enable power MOSFET to have better characteristics, such as fast switching time, low on resistance, low gate charge and especially excellent avalanche characteristics. This power MOSFET is usually used at high efficient DC to DC converter block, high efficiency switch mode power supplies, power factor correction, electronic lamp ballast based on half bridge.



Absolute Maximum Ratings

Symbol	Parameter	Value	Units
V_{DSS}	Drain to Source Voltage	500	V
I_D	Continuous Drain Current (@Tc=25°C)	8.5	A
	Continuous Drain Current (@Tc=100°C)	6.2	A
I_{DM}	Drain Current Pulsed (Note 1)	34	A
V_{GS}	Gate to Source Voltage	±30	V
E_{AS}	Single Pulsed Avalanche Energy (Note 2)	360	mJ
E_{AR}	Repetitive Avalanche Energy (Note 1)	12.5	mJ
dv/dt	Peak Diode Recovery dv/dt (Note 3)	4.5	V/ns
P_D	Total Power Dissipation (@Tc=25°C)	125	W
	Derating Factor above 25°C	1.18	W/°C
T_{STG}, T_J	Operating junction temperature & Storage temperature	-55~+150	°C
T_L	Maximum Lead Temperature for soldering purpose, 1/8 from Case for 5 seconds.	300	°C

Thermal Characteristics

Symbol	Parameter	Value			Units
		Min	Typ	Max	
$R_{\theta JC}$	Thermal Resistance, Junction-to-Case	-	-	1.0	°C/W
$R_{\theta CS}$	Thermal Resistance, Case-to-Sink	-	0.5	-	°C/W
$R_{\theta JA}$	Thermal Resistance, Junction-to-Ambient	-	-	62.5	°C/W

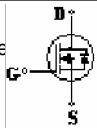
SAMWIN

SW840

Electrical Characteristics (Tc=25°C unless otherwise noted)

Symbol	Parameter	Test Conditions	Value			Units
			Min	Typ	Max	
Off Characteristics						
BV _{DSS}	Drain- Source Breakdown Voltage	V _{GS} =0V, I _D =250uA	500	-	-	V
$\Delta BV_{DSS}/\Delta T_j$	Breakdown Voltage Temperature coefficient	I _D =250uA, referenced to 25°C	-	0.55	-	V/°C
I _{DSS}	Drain-Source Leakage Current	V _{DS} =500V, V _{GS} =0V	-	-	1	uA
		V _{DS} =400V, Tc=125°C				
I _{GSS}	Gate-Source Leakage Current	V _{GS} =30V, V _{DS} =0V	-	-	100	nA
	Gate-Source Leakage Reverse	V _{GS} =-30V, V _{DS} =0V	-	-	-100	nA
On Characteristics						
V _{GS(th)}	Gate Threshold Voltage	V _{DS} =V _{GS} , I _D =250uA	2.0	-	4.0	V
R _{DS(ON)}	Static Drain-Source On-state Resistance	V _{GS} =10V, I _D =4.0A	-	0.7	0.85	ohm
Dynamic Characteristics						
C _{iss}	Input Capacitance	V _{GS} =0V, V _{DS} =25V, f=1MHz	-	-	1450	pF
C _{oss}	Output Capacitance		-	-	210	
C _{rss}	Reverse Transfer Capacitance		-	-	30	
Dynamic Characteristics						
t _{d(on)}	Turn-on Delay Time	V _{DD} =250V, I _D =8.5A R _G =50ohm (Note4,5)	-	-	60	ns
t _r	Rise Time		-	-	80	
t _{d(off)}	Turn-off Delay Time		-	-	320	
t _f	Fall Time		-	-	100	
Q _g	Total Gate Charge	V _{DS} =400V, V _{GS} =10V, I _D =8.5A (Note4,5)	-	-	36	nC
Q _{gs}	Gate-Source Charge		-	7	-	
Q _{gd}	Gate-Drain Charge (Miller Charge)		-	12.5	-	

Source-Drain Diode Ratings and Characteristics

Symbol	Parameter	Test Conditions	Min.	Typ.	Max.	Unit.
I _S	Continuous Source Current	Integral Reverse p-n Junction Diode in the MOSFET 	-	-	8.5	A
I _{SM}	Pulsed Source Current		-	-	34	
V _{SD}	Diode Forward Voltage	I _S =1.0A, V _{GS} =0V	-	-	1.4	V
t _{rr}	Reverse Recovery Time	I _S =1.0A, V _{GS} =0V, di/dt=100A/us	-	300	-	ns
Q _{rr}	Reverse Recovery Charge		-	2.2	-	uc

※NOTES

1. Repeativity rating: pulse width limited by junction temperature
2. L=10mH, I_{AS}=8.5A, V_{DD}=50V, R_G=0ohm, Starting T_J=25°C
3. I_{SD}≤1.8A, di/dt≤100A/us, V_{DD}≤BVDSS, Starting T_J=25°C
4. Pulse Test: Pulse Width≤300us, Duty Cycle≤2%
5. Essentially independent of operating temperature.

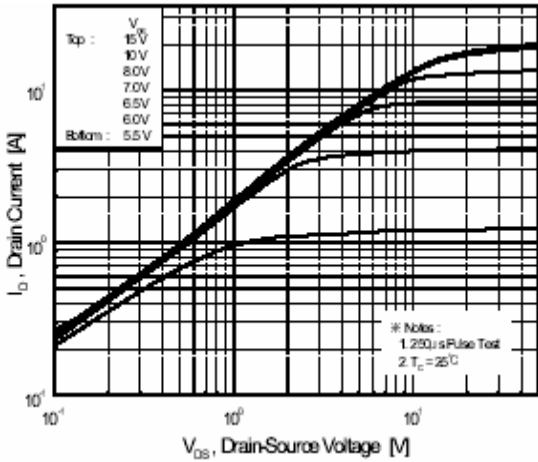


Fig 1. On-State Characteristics

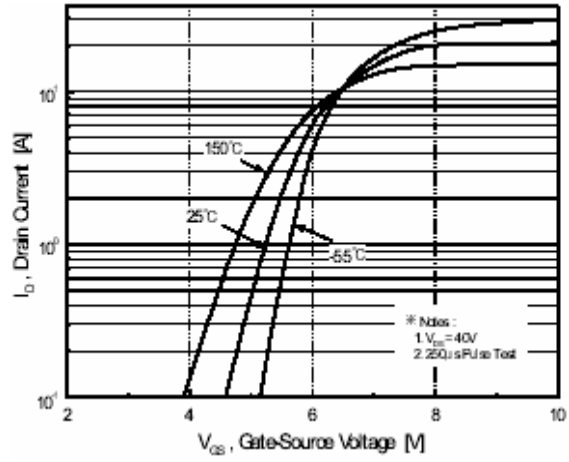


Fig 2. Transfer Characteristics

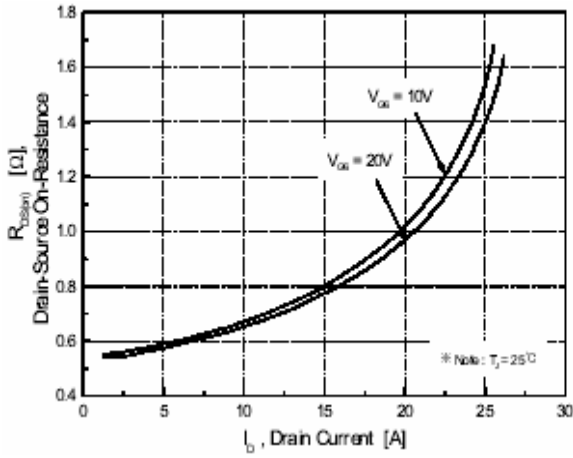


Fig 3. On Resistance Variation vs. Drain Current and Gate Voltage

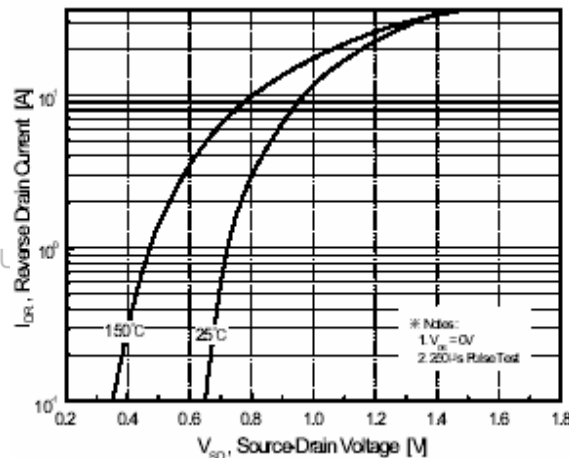


Fig 4. On State Current vs. Allowable Case Temperature

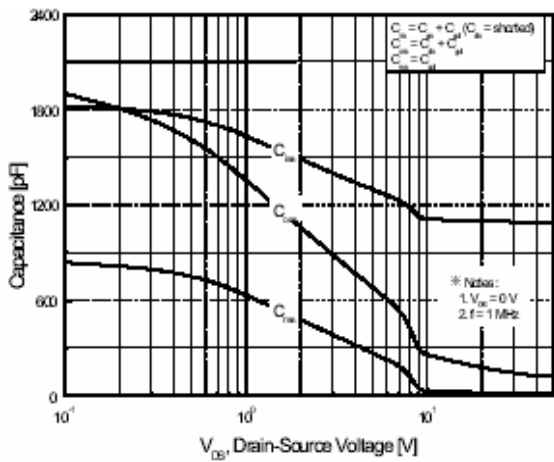


Fig 5. Capacitance Characteristics (Non-Repetitive)

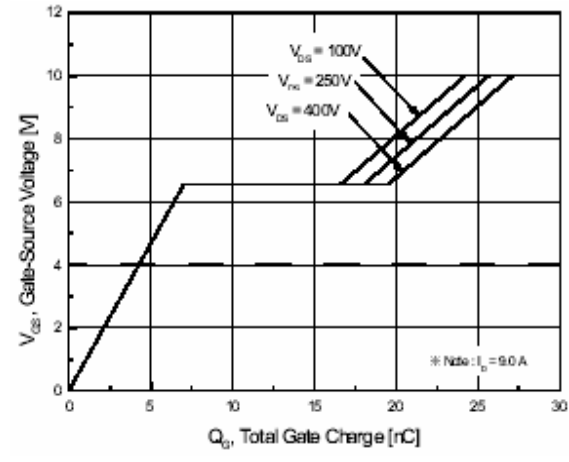


Fig 6. Gate Charge Characteristics

SAMWIN

SW840

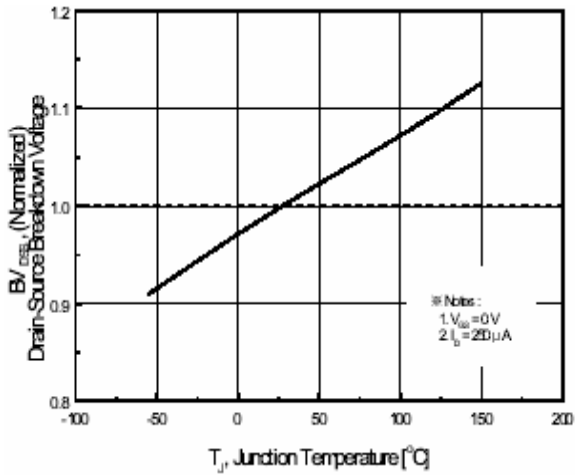


Fig 7. Breakdown Voltage Variation vs. Junction Temperature

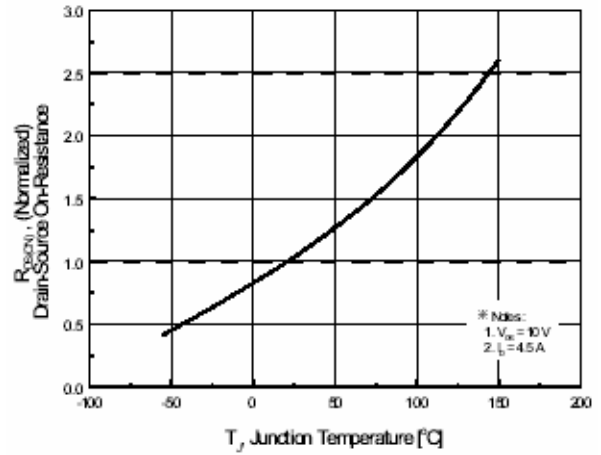


Fig 8. On-Resistance Variation vs. Junction Temperature

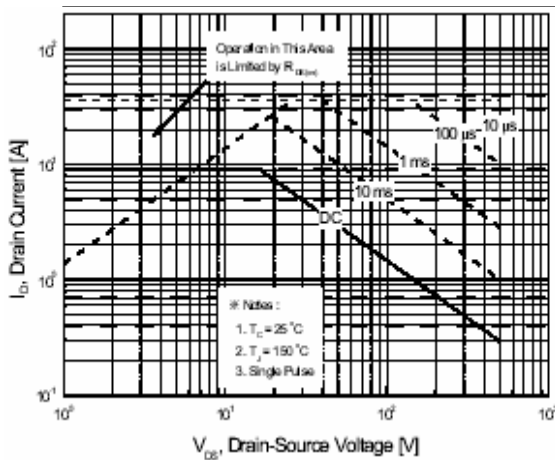


Fig 9. Maximum Safe Operating

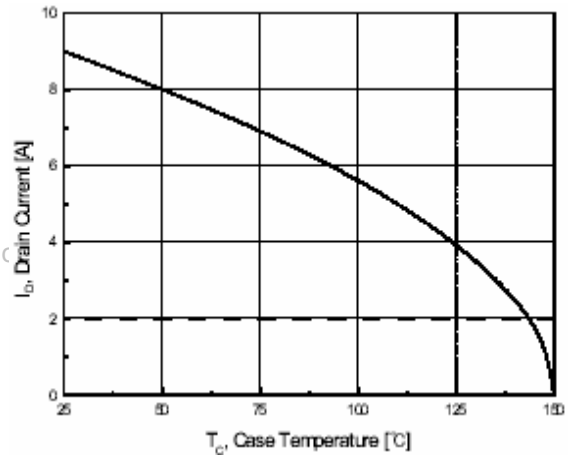


Fig 10. Maximum Drain Current Vs. Case Temperature

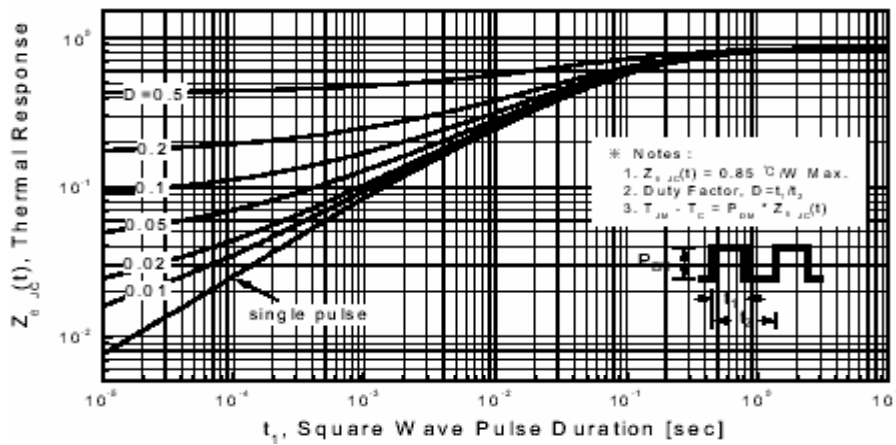


Fig 11. Transient Thermal Response Curve

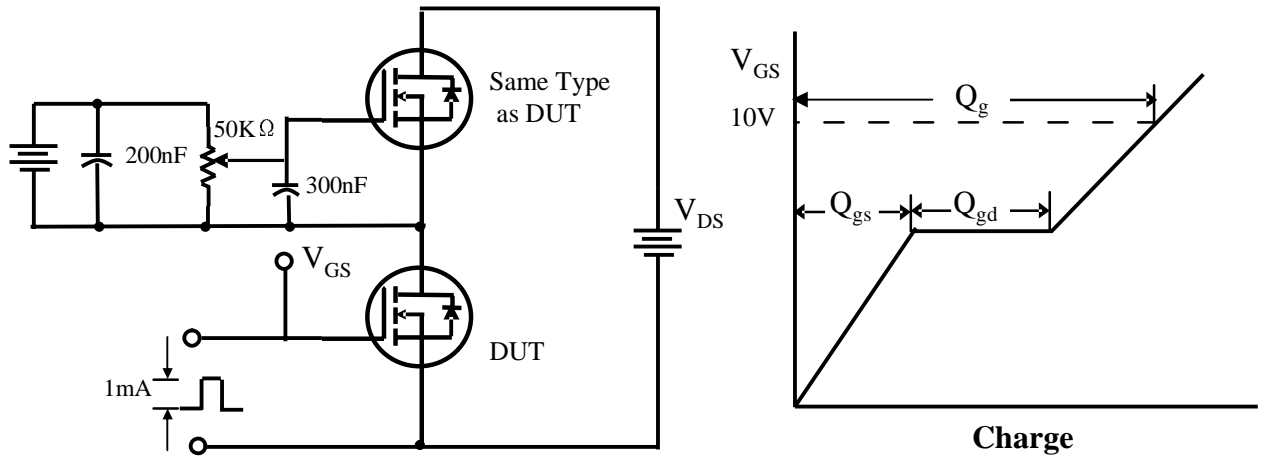


Fig 12. Gate Charge test Circuit & Waveforms

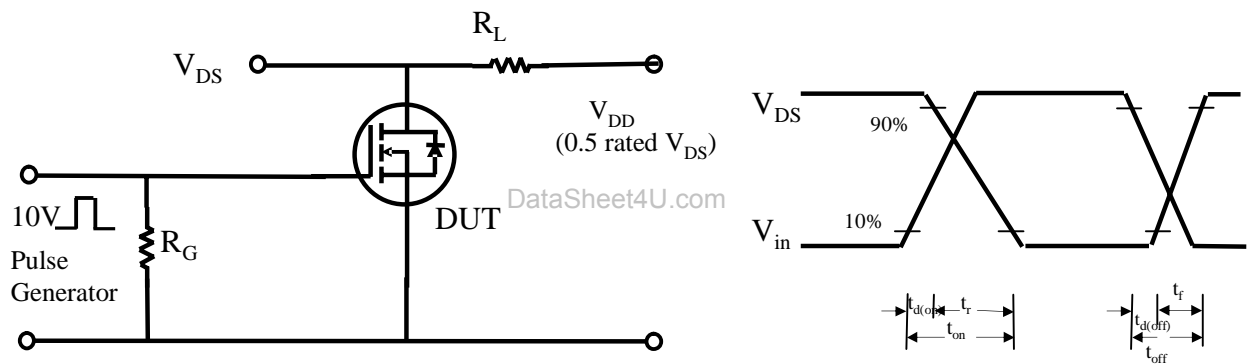


Fig 13. Switching test Circuit & Waveforms

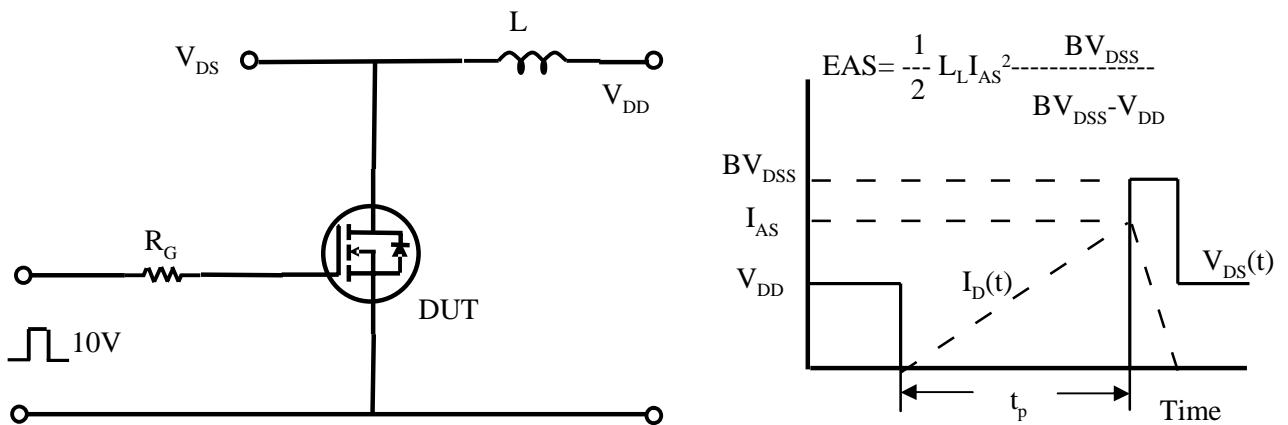


Fig 14. Unclamped Inductive Switching test Circuit & Waveforms

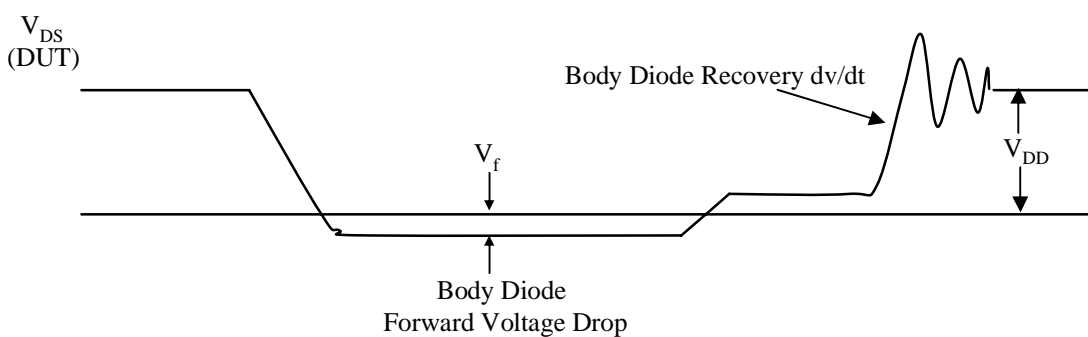
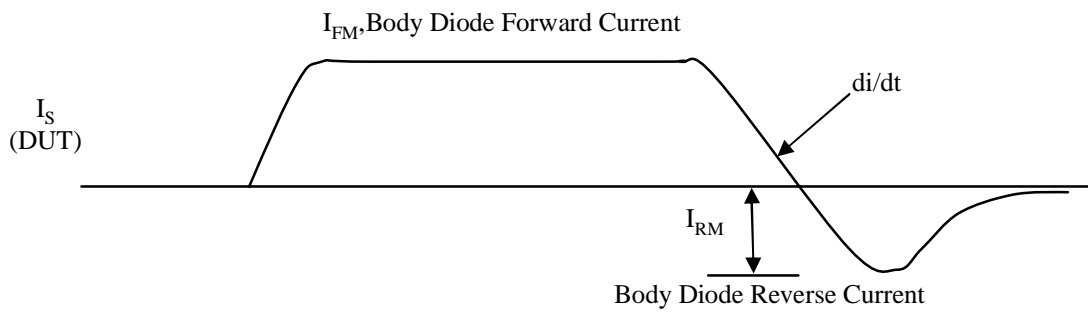
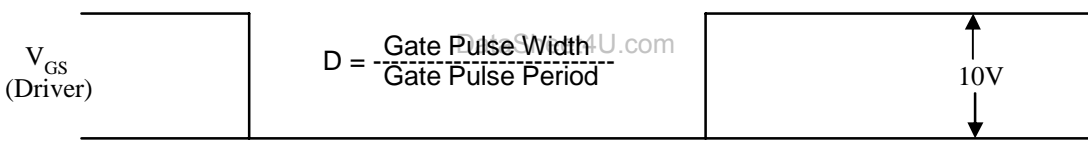
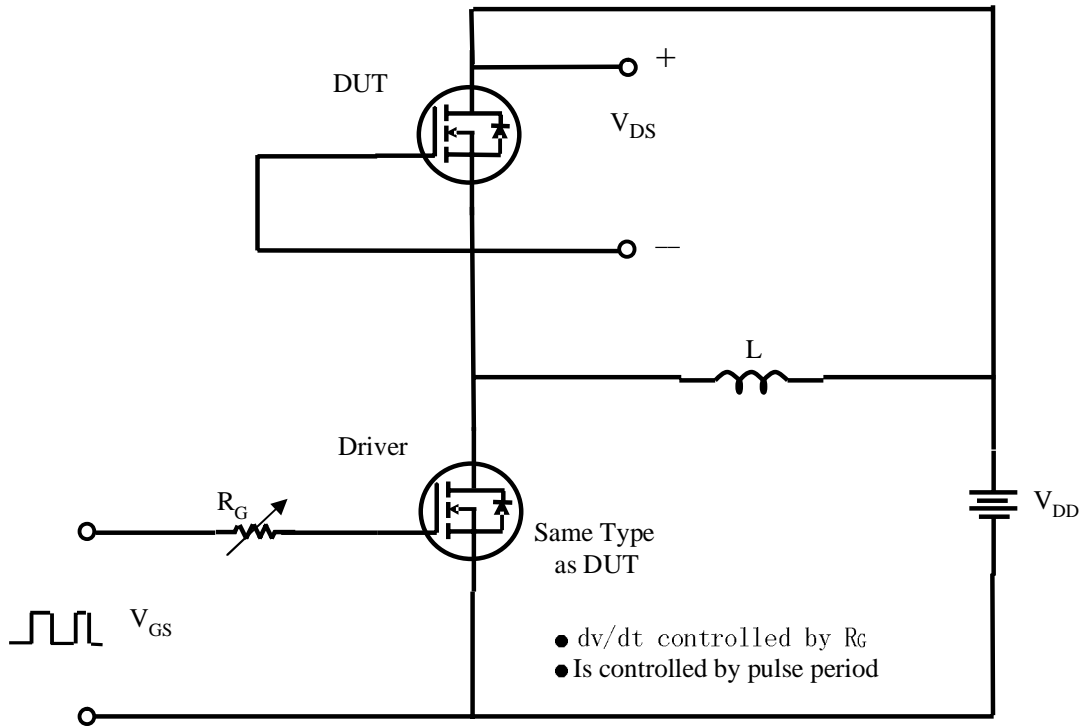


Fig 15. Peak Diode Recovery dv/dt test Circuit & Waveforms