



## 5-Pin, Multiple-Input, Programmable Reset ICs

MAX6305–MAX6313

### General Description

The MAX6305–MAX6313 CMOS microprocessor ( $\mu$ P) supervisory circuits are designed to monitor more than one power supply. Ideal for monitoring both 5V and 3.3V in personal computer systems, these devices assert a system reset if any of the monitored supplies falls outside the programmed threshold. Low supply current (15 $\mu$ A) and a small package suit them for portable applications. The MAX6305–MAX6313 are specifically designed to ignore fast transients on any monitored supply.

These devices are available in a SOT23-5 package, have factory-programmed reset thresholds from 2.5V to 5.0V (in 100mV increments), and feature four power-on reset timeout periods.

### Applications

Portable Computers  
Computers  
Controllers  
Intelligent Instruments  
Portable/Battery-Powered Equipment  
Multivoltage Systems: 3V/5V, 5V/12V, 5V/24V  
Embedded Control Systems

**Pin Configurations and Typical Operating Circuit appear at end of data sheet.**

### Features

- ◆ **Small 5-Pin SOT23 Package**
- ◆ **Precision Factory-Set  $V_{CC}$  Reset Thresholds; Available in 0.1V Increments from 2.5V to 5V**
- ◆ **Immune to Short  $V_{CC}$  Transients**
- ◆ **Guaranteed RESET Valid to  $V_{CC} = 1V$**
- ◆ **Guaranteed Over Temperature**
- ◆ **8 $\mu$ A Supply Current**
- ◆ **Factory-Set Reset Timeout Delay from 1ms (min) to 1120ms (min)**
- ◆ **No External Components**
- ◆ **Manual Reset Input**
- ◆ **Under/Overvoltage Supply Monitoring**

### Ordering Information

PART <sup>†</sup>	TEMP. RANGE	PIN-PACKAGE
MAX6305UK00D_-T	0°C to +70°C	5 SOT23-5
MAX6306UK__D_-T	0°C to +70°C	5 SOT23-5
MAX6307UK__D_-T	0°C to +70°C	5 SOT23-5

<sup>†</sup> The MAX6306/MAX6307/MAX6309/MAX6310/MAX6312/MAX6313 are available with factory-set  $V_{CC}$  reset thresholds from 2.5V to 5V, in 0.1V increments. Insert the desired nominal reset threshold (from Table 1) into the blanks following the letters UK. All parts also offer factory-programmed reset timeout periods. Insert the number corresponding to the desired nominal timeout period index following the "D" in the part number (D1 = 1ms min, D2 = 20ms min, D3 = 140ms min, and D4 = 1120ms min). Contact factory for availability and minimum order sizes.

**Ordering Information continued at end of data sheet.**

### Selector Table

PART	OPEN-DRAIN RESET OUTPUT	PUSH/PULL RESET OUTPUT	PUSH/PULL RESET OUTPUT	FACTORY-SET RESET THRESHOLD ON $V_{CC}$	ADDITIONAL UNDERVOLTAGE RESET INPUTS	NEGATIVE/OVERVOLTAGE RESET INPUT	MANUAL-RESET INPUT
MAX6305	✓	—	—	—	2	—	—
MAX6306	✓	—	—	✓	1	—	✓
MAX6307	✓	—	—	✓	1	✓	—
MAX6308	—	✓	—	—	2	—	—
MAX6309	—	✓	—	✓	1	—	✓
MAX6310	—	✓	—	✓	1	✓	—
MAX6311	—	—	✓	—	2	—	—
MAX6312	—	—	✓	✓	1	—	✓
MAX6313	—	—	✓	✓	1	✓	—



Maxim Integrated Products 1

**For free samples & the latest literature: <http://www.maxim-ic.com>, or phone 1-800-998-8800.  
For small orders, phone 408-737-7600 ext. 3468.**

# 5-Pin, Multiple-Input, Programmable Reset ICs

## ABSOLUTE MAXIMUM RATINGS

V<sub>CC</sub> .....-0.3V to +6V  
 All Other Pins .....-0.3V to (V<sub>CC</sub> + 0.3V)  
 Input/Output Current, All Pins .....20mA  
 Rate of Rise, V<sub>CC</sub> .....100V/μs

Continuous Power Dissipation (T<sub>A</sub> = +70°C)  
 SOT23-5 (derate 7.1mW/°C above +70°C).....571mW  
 Operating Temperature Range.....0°C to +70°C  
 Storage Temperature Range .....-65°C to +160°C  
 Lead Temperature (soldering, 10sec) .....+300°C

Stresses beyond those listed under "Absolute Maximum Ratings" may cause permanent damage to the device. These are stress ratings only, and functional operation of the device at these or any other conditions beyond those indicated in the operational sections of the specifications is not implied. Exposure to absolute maximum rating conditions for extended periods may affect device reliability.

## ELECTRICAL CHARACTERISTICS

V<sub>CC</sub> = +2.5V to +5.5V for the MAX6305/MAX6308/MAX6311, V<sub>CC</sub> = (V<sub>TH</sub> + 2.5%) to +5.5V for the MAX6306/MAX6307/MAX6309/MAX6310/MAX6312/MAX6313; T<sub>A</sub> = 0°C to +70°C; unless otherwise noted. Typical values are at T<sub>A</sub> = +25°C.)

PARAMETER	SYMBOL	CONDITIONS		MIN	TYP	MAX	UNITS
V <sub>CC</sub> Range		T <sub>A</sub> = 0°C to +70°C (Note 1)		1.0		5.5	V
Supply Current	I <sub>CC</sub>	V <sub>CC</sub> = 5.5V			8	16	μA
Reset Threshold (Note 2)	V <sub>TH</sub>	MAX6306/MAX6307/ MAX6309/MAX6310/ MAX6312/MAX6313	T <sub>A</sub> = +25°C	V <sub>TH</sub> - 1.5%	V <sub>TH</sub>	V <sub>TH</sub> + 1.5%	V
			T <sub>A</sub> = 0°C to +70°C	V <sub>TH</sub> - 2.5%		V <sub>TH</sub> + 2.5%	
Reset Threshold Tempco	ΔV <sub>TH</sub> /°C				40		ppm/°C
Reset Threshold Hysteresis	V <sub>TH</sub> HYST				2 x V <sub>TH</sub>		mV
Reset Timeout Period	t <sub>RP</sub>	D1		1	1.4	2	ms
		D2		20	28	40	
		D3		140	200	280	
		D4		1120	1570	2240	
RESET Output Voltage	V <sub>OL</sub>	MAX6305-MAX6310	V <sub>CC</sub> > 4.25V, I <sub>SINK</sub> = 3.2mA			0.4	V
			V <sub>CC</sub> > 2.5V, I <sub>SINK</sub> = 1.2mA			0.3	
			T <sub>A</sub> = 0°C to +70°C, V <sub>CC</sub> > 1.2V, I <sub>SINK</sub> = 500μA			0.3	
			T <sub>A</sub> = 0°C to +70°C, V <sub>CC</sub> > 1.0V, I <sub>SINK</sub> = 50μA			0.3	
	V <sub>OH</sub>	MAX6308/MAX6309/ MAX6310	V <sub>CC</sub> > 4.25V, I <sub>SOURCE</sub> = 800μA	V <sub>CC</sub> - 1.5			
			V <sub>CC</sub> > 2.5V, I <sub>SOURCE</sub> = 500μA	0.8 x V <sub>CC</sub>			
RESET Output Voltage	V <sub>OL</sub>	MAX6311/MAX6312/ MAX6313	V <sub>CC</sub> > 4.25V, I <sub>SINK</sub> = 3.2mA			0.4	V
			V <sub>CC</sub> > 2.5V, I <sub>SINK</sub> = 1.2mA			0.3	
	V <sub>OH</sub>		V <sub>CC</sub> > 1.8V, I <sub>SOURCE</sub> = 150μA	0.8 x V <sub>CC</sub>			
			T <sub>A</sub> = 0°C to +70°C, V <sub>CC</sub> > 1.0V, I <sub>SOURCE</sub> = 10μA	0.8 x V <sub>CC</sub>			

# 5-Pin, Multiple-Input, Programmable Reset ICs

MAX6305-MAX6313

## ELECTRICAL CHARACTERISTICS (continued)

( $V_{CC} = +2.5V$  to  $+5.5V$  for the MAX6305/MAX6308/MAX6311,  $V_{CC} = (V_{TH} + 2.5\%)$  to  $+5.5V$  for the MAX6306/MAX6307/MAX6309/MAX6310/MAX6312/MAX6313;  $T_A = 0^\circ C$  to  $+70^\circ C$ ; unless otherwise noted. Typical values are at  $T_A = +25^\circ C$ .)

PARAMETER	SYMBOL	CONDITIONS	MIN	TYP	MAX	UNITS
<b>MANUAL-RESET INPUT (MAX6306/MAX6309/MAX6312)</b>						
$\overline{MR}$ Input	$V_{IL}$	$V_{TH} > 4.0V$	0.8			V
	$V_{IH}$		2.4			
	$V_{IL}$	$V_{TH} < 4.0V$	$0.3 \times V_{CC}$			
	$V_{IH}$		$0.7 \times V_{CC}$			
$\overline{MR}$ Minimum Input Pulse			1			$\mu s$
$\overline{MR}$ Glitch Rejection			0.1			$\mu s$
$\overline{MR}$ to Reset Delay			500			nsV
$\overline{MR}$ Pull-Up Resistance			32	63.5	100	$k\Omega$
<b>ADJUSTABLE RESET COMPARATOR INPUTS</b>						
RST IN Input Threshold	$V_{RSTH}$	$T_A = +25^\circ C$	1.21	1.23	1.25	V
		$T_A = 0^\circ C$ to $+70^\circ C$	1.20		1.26	
RST IN Input Current	$I_{RST IN\_}$	$0V < V_{RST IN\_} < V_{CC} - 0.3V$	-25		25	nA
RST IN Hysteresis			2.5			mV

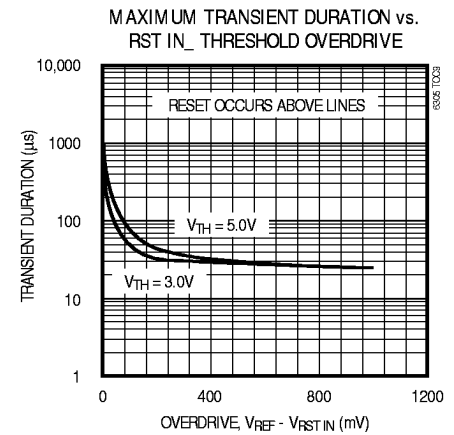
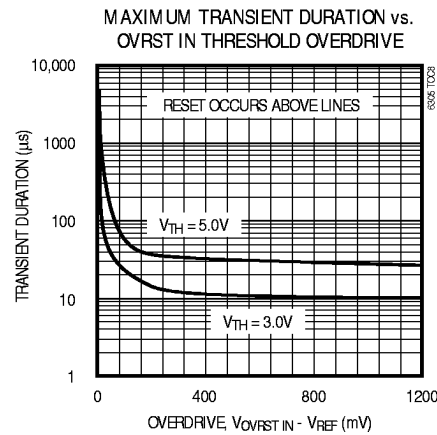
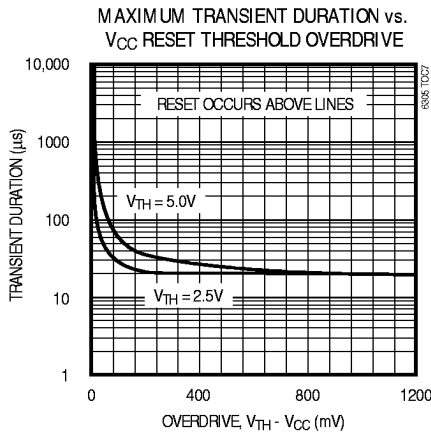
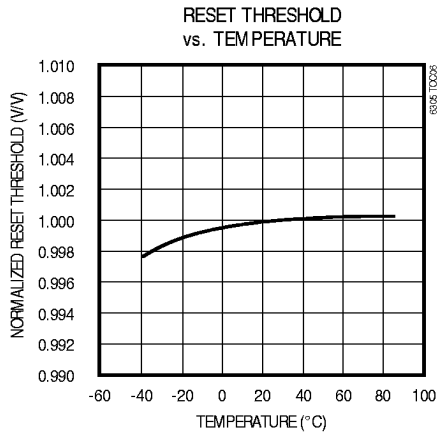
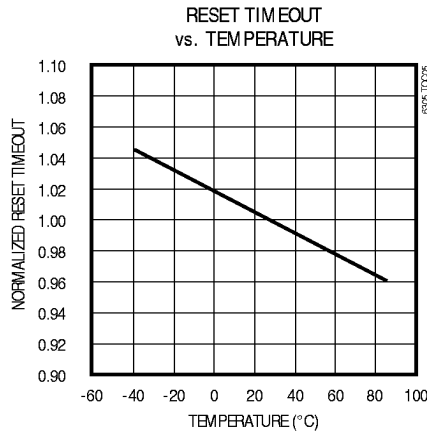
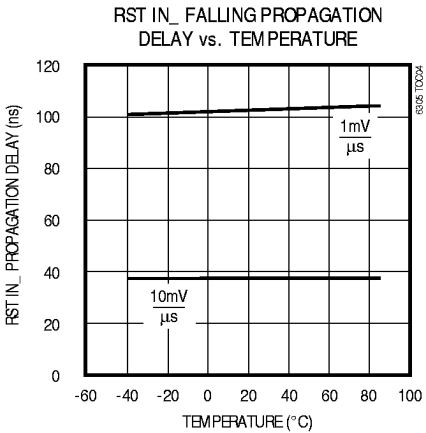
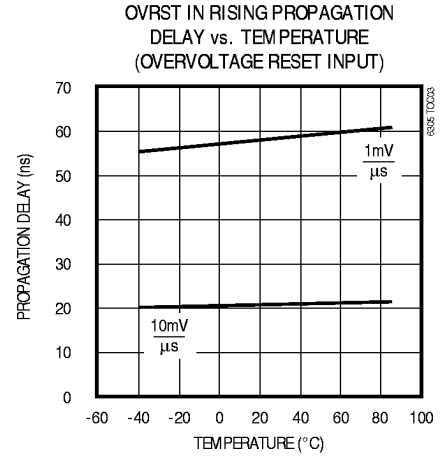
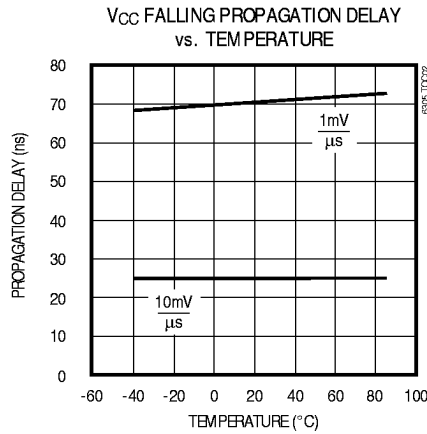
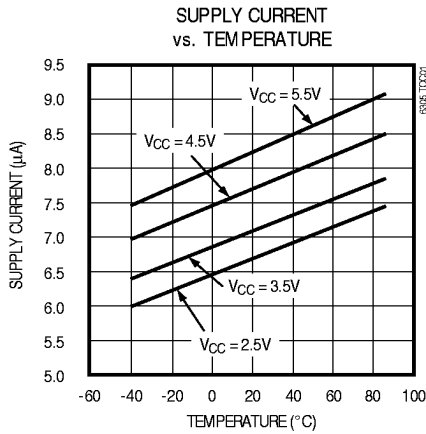
**Note 1:** The MAX6305/MAX6308/MAX6311 switch from undervoltage reset to normal operation between  $1.5V < V_{CC} < 2.5V$ .

**Note 2:** The MAX6306/MAX6307/MAX6309/MAX6310/MAX6312/MAX6313 monitor  $V_{CC}$  through an internal factory-trimmed voltage divider, which programs the nominal reset threshold. Factory-trimmed reset thresholds are available in approximately 100mV increments from 2.5V to 5V (Table 1).

# 5-Pin, Multiple-Input, Programmable Reset ICs

## Typical Operating Characteristics

( $V_{CC} = +5V$ ,  $T_A = +25^\circ C$ , unless otherwise noted.)



# 5-Pin, Multiple-Input, Programmable Reset ICs

## Pin Description

MAX6305–MAX6313

PIN			NAME	FUNCTION
MAX6305 MAX6308 MAX6311	MAX6306 MAX6309 MAX6312	MAX6307 MAX6310 MAX6313		
1	1	1	$\overline{\text{RESET}}$	Active-Low, Open-Drain Reset Output for the MAX6305/MAX6306/MAX6307. Active-Low, Push/Pull Reset Output (sources and sinks current) for the MAX6308/MAX6309/MAX6310.
			RESET	Active-High, Push/Pull Reset Output for the MAX6311/MAX6312/MAX6313
2	2	2	GND	System Ground
—	3	—	$\overline{\text{MR}}$	Manual-Reset Input. Pull low to force a reset. $\overline{\text{RESET}}$ /RESET remains active as long as MR is low and for the timeout period after MR goes high. Leave unconnected or connect to V <sub>CC</sub> if unused.
3, 4	—	—	RST IN1, RST IN2	Undervoltage Reset Comparator Input. Asserts reset when the monitored voltage falls below the programmed threshold. Set the reset threshold with an external resistor divider. Connect to V <sub>CC</sub> if unused.
—	4	3	RST IN	
—	—	4	OVRST IN	Overvoltage Reset Comparator Input. Asserts reset when the monitored voltage exceeds the programmed threshold. Set the reset threshold with an external resistor divider. Connect to GND if unused.
5	5	5	V <sub>CC</sub>	System Supply. The MAX6306/MAX6307/MAX6309/MAX6310/MAX6312/MAX6313 also monitor V <sub>CC</sub> through an internal factory-trimmed resistor divider to the reset comparator.

### Detailed Description

The MAX6305–MAX6313 CMOS microprocessor ( $\mu\text{P}$ ) supervisory circuits are designed to monitor more than one power supply and issue a system reset when any monitored supply falls out of regulation. The MAX6305/MAX6308/MAX6311 have two adjustable undervoltage reset inputs (RST IN1 and RST IN2). The MAX6306/MAX6307/MAX6309/MAX6310/MAX6312/MAX6313 monitor V<sub>CC</sub> through an internal, factory-trimmed voltage divider. The MAX6306/MAX6309/MAX6312 have, in addition, an adjustable undervoltage reset input and a manual-reset input. The internal voltage divider sets the reset threshold as specified in the device part number (Table 1). The MAX6307/MAX6310/MAX6313 feature an adjustable undervoltage reset input (RST IN) and an adjustable overvoltage reset input (OVRST IN) in addition to the factory-trimmed reset threshold on the V<sub>CC</sub> monitor. Program the adjustable reset inputs with an external resistor divider (see *Adjustable Reset Inputs* section).

### Reset Outputs

A  $\mu\text{P}$ 's reset input starts the  $\mu\text{P}$  in a known state. These  $\mu\text{P}$  supervisory circuits assert reset to prevent code-execution errors during power-up, power-down, or brownout conditions.

$\overline{\text{RESET}}$  (MAX6305–MAX6310) and RESET (MAX6311/MAX6312/MAX6313) are guaranteed to be asserted at a valid logic level for V<sub>CC</sub> > 1V (see *Electrical Characteristics*). Once all monitored voltages exceed their programmed reset thresholds, an internal timer keeps reset asserted for the reset timeout period (t<sub>RP</sub>); after this interval, reset deasserts.

If a brownout condition occurs (any or all monitored voltages dip outside their programmed reset threshold), reset asserts (RESET goes high;  $\overline{\text{RESET}}$  goes low). Any time any of the monitored voltages dip below their reset threshold, the internal timer resets to zero and reset asserts. The internal timer starts when all of the monitored voltages return above their reset thresholds, and reset remains asserted for a reset timeout period. The MAX6305/MAX6306/MAX6307 feature an active-low,

# 5-Pin, Multiple-Input, Programmable Reset ICs

MAX6305-MAX6313

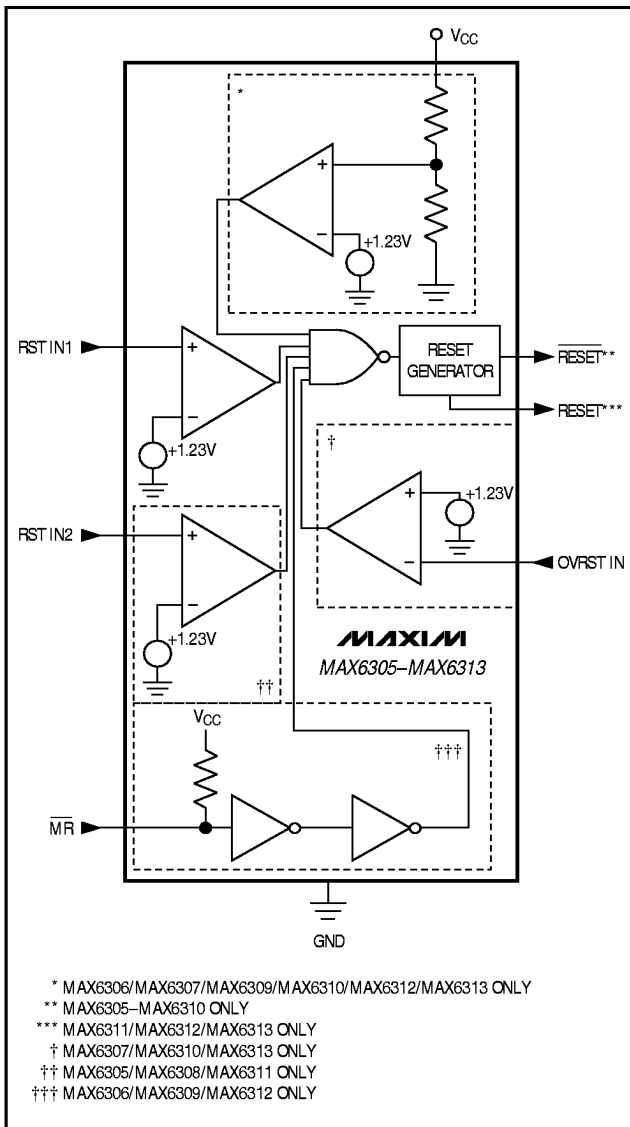


Figure 1. Functional Diagram

open-drain, N-channel output. The MAX6308/MAX6309/MAX6310 feature an active-low, complementary output structure that both sinks and sources current, and the MAX6311/MAX6312/MAX6313 have an active-high complementary reset output.

The MAX6305/MAX6308/MAX6311 switch from undervoltage lockout operation to normal operation between  $1.5V < V_{CC} < 2.5V$ . Below 1.5V,  $V_{CC}$  undervoltage-lockout mode asserts  $\overline{RESET}$ . Above 2.5V,  $V_{CC}$  normal-operation mode asserts reset if RST IN<sub>n</sub> falls below the RST IN<sub>n</sub> threshold.

### Manual-Reset Input (MAX6306/MAX6309/MAX6312)

Many  $\mu P$ -based products require manual-reset capability, allowing an operator or external logic circuitry to initiate a reset. A logic low on  $\overline{MR}$  asserts reset. Reset remains asserted while  $\overline{MR}$  is low, and for a reset active timeout period ( $t_{RP}$ ) after  $\overline{MR}$  returns high. This input has an internal 63.5k $\Omega$  pull-up resistor, so it can be left open if it is not used.  $\overline{MR}$  can be driven with TTL-logic levels in 5V systems, with CMOS-logic levels in 3V systems, or with open-drain/collector output devices. Connect a normally open momentary switch from  $\overline{MR}$  to GND to create a manual-reset function; external debounce circuitry is not required. If  $\overline{MR}$  is driven from long cables or if the device is used in a noisy environment, connecting a 0.1 $\mu F$  capacitor from  $\overline{MR}$  to ground provides additional noise immunity.

The  $\overline{MR}$  pin has internal ESD-protection circuitry that may be forward biased under certain conditions, drawing excessive current. For example, assume the circuitry driving  $\overline{MR}$  uses a +5V supply other than  $V_{CC}$ . If  $V_{CC}$  drops or browns out lower than +4.7V,  $\overline{MR}$ 's absolute maximum rating is violated (-0.3V to  $(V_{CC} + 0.3V)$ ), and undesirable current flows through the ESD structure from  $\overline{MR}$  to  $V_{CC}$ . To avoid this, it is recommended that the supply for the  $\overline{MR}$  pin be the same as the supply monitored by  $V_{CC}$ . In this way, the voltage at  $\overline{MR}$  will not exceed  $V_{CC}$ .

### Adjustable Reset Inputs

The MAX6305-MAX6313 each have one or more reset inputs (RST IN<sub>n</sub> /OVRST IN). These inputs are compared to the internal reference voltage (Figure 1). Connect a resistor voltage divider to RST IN<sub>n</sub> such that  $V_{RST IN_n}$  falls below  $V_{RSTH}$  (1.23V) when the monitored voltage ( $V_{IN}$ ) falls below the desired reset threshold ( $V_{TH}$ ) (Figure 2). Calculate the desired reset voltage with the following formula:

$$V_{TH} = \frac{R_1 + R_2}{R_2} \times V_{RSTH}$$

# 5-Pin, Multiple-Input, Programmable Reset ICs

MAX6305-MAX6313

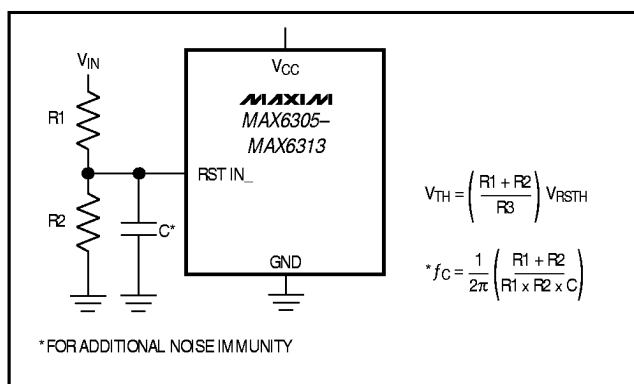


Figure 2. Increasing Noise Immunity

The  $\pm 25\text{nA}$  max input leakage current allows resistors on the order of megohms. Choose the pull-up resistor in the divider to minimize the error due to the input leakage current. The error term in the calculated threshold is simply:

$$\pm 25\text{nA} \times R1$$

If you choose R1 to be  $1\text{M}\Omega$ , the resulting error is  $\pm 25 \times 10^{-9} \times 1 \times 10^6 = \pm 25\text{mV}$ .

Like the VCC voltage monitors on the MAX6306/MAX6307/MAX6309/MAX6310/MAX6312/MAX6313, the RST IN\_ inputs (when used with a voltage divider) are designed to ignore fast voltage transients. Increase the noise immunity by connecting a capacitor on the order of  $0.1\mu\text{F}$  between RST IN and GND (Figure 2). This creates a single-pole lowpass filter with a corner frequency given by:

$$f = (1/2\pi) / (R1 + R2)(R1 \times R2 \times C)$$

For example, if  $R1 = 1\text{M}\Omega$  and  $R2 = 1.6\text{M}\Omega$ , adding a  $0.1\mu\text{F}$  capacitor from RST IN\_ to ground results in a lowpass corner frequency of  $f = 2.59\text{Hz}$ . Note that adding capacitance to RST IN slows the circuit's overall response time.

## Applications Information

### Interfacing to $\mu\text{Ps}$ with Bidirectional Reset Pins

Since the  $\overline{\text{RESET}}$  output on the MAX6305/MAX6306/MAX6307 is open drain, these devices interface easily with  $\mu\text{Ps}$  that have bidirectional reset pins, such as the Motorola 68HC11. Connecting the  $\mu\text{P}$  supervisor's  $\overline{\text{RESET}}$  output directly to the microcontroller's  $\overline{\text{RESET}}$  pin with a single pull-up resistor allows either device to assert reset (Figure 3).

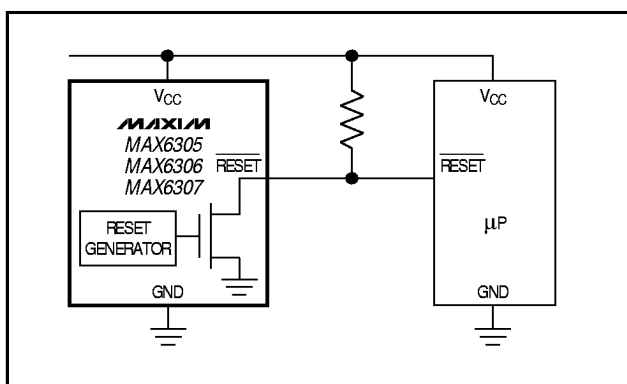


Figure 3. Interfacing to  $\mu\text{Ps}$  with Bidirectional Reset I/O

### Negative-Going VCC Transients

In addition to issuing a reset to the  $\mu\text{P}$  during power-up, power-down, and brownout conditions, these devices are relatively immune to short-duration, negative-going VCC transients (glitches).

The *Typical Operating Characteristics* show the Maximum Transient Duration vs. VCC Reset Threshold Overdrive, for which reset pulses are not generated. The graph was produced using negative-going pulses, starting at  $V_{TH\text{ max}}$ , and ending below the programmed reset threshold by the magnitude indicated (reset threshold overdrive). The graph shows the maximum pulse width that a negative-going VCC transient may typically have without causing a reset pulse to be issued. As the amplitude of the transient increases (i.e., goes farther below the reset threshold), the maximum allowable pulse width decreases.

RST IN\_/OVRST IN are also immune to negative/positive-going transients (see *Typical Operating Characteristics*). A  $0.1\mu\text{F}$  bypass capacitor mounted close to the RST IN\_, OVRST IN, and/or the VCC pin provides additional transient immunity.

### Ensuring a Valid $\overline{\text{RESET}}$ /RESET Output Down to VCC = 0V

When VCC falls below 1V, push/pull structured  $\overline{\text{RESET}}$ /RESET current sinking (or sourcing) capabilities decrease drastically. High-impedance CMOS-logic inputs connected to  $\overline{\text{RESET}}$  can drift to undetermined voltages. This presents no problem in most applications, since most  $\mu\text{Ps}$  and other circuitry do not operate with VCC below 1V. In those applications where  $\overline{\text{RESET}}$  must be valid down to 0V, adding a pull-down resistor between  $\overline{\text{RESET}}$  and ground sinks any stray leakage

# 5-Pin, Multiple-Input, Programmable Reset ICs

currents, holding  $\overline{\text{RESET}}$  low (Figure 4). The pull-down resistor's value is not critical; 100k $\Omega$  is large enough not to load  $\overline{\text{RESET}}$  and small enough to pull  $\overline{\text{RESET}}$  to ground. For applications where  $\overline{\text{RESET}}$  must be valid to  $V_{CC}$ , a 100k $\Omega$  pull-up resistor between  $\overline{\text{RESET}}$  and  $V_{CC}$  will hold  $\overline{\text{RESET}}$  high when  $V_{CC}$  falls below 1V (Figure 5).

Since the MAX6305/MAX6306/MAX6307 have open-drain, active-low outputs, they typically use a pull-up resistor. With these devices and under these conditions ( $V_{CC} < 1V$ ),  $\overline{\text{RESET}}$  will most likely not maintain an active condition, but will drift toward a nonactive level due to the pull-up resistor and the  $\overline{\text{RESET}}$  output's reduction in sinking capability. These devices are not recommended for applications that require a valid  $\overline{\text{RESET}}$  output below 1V.

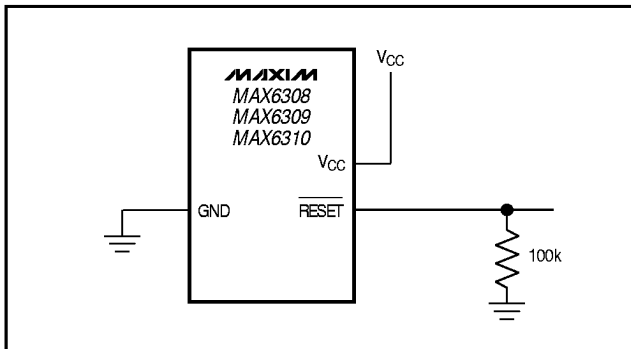


Figure 4. Ensuring  $\overline{\text{RESET}}$  Valid to  $V_{CC} = 0V$

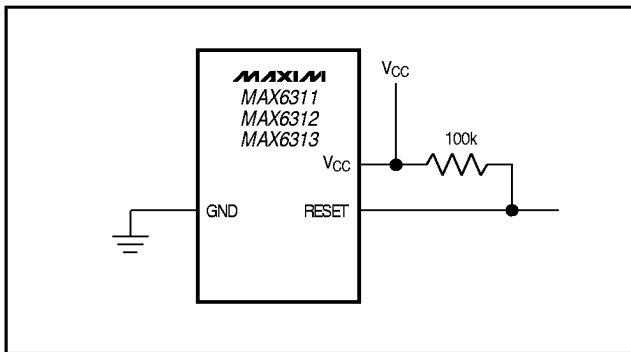


Figure 5. Ensuring  $\overline{\text{RESET}}$  Valid to  $V_{CC} = 0V$

Table 1. Factory-Trimmed Reset Thresholds\*

SUFFIX	$T_A = +25^\circ\text{C}$			$T_A = 0^\circ\text{C to } +70^\circ\text{C}$	
	MIN	TYP	MAX	MIN	MAX
UK00	Preprogrammed Threshold Not Available			Preprogrammed Threshold Not Available	
UK50	4.925	5.000	5.075	4.875	5.125
UK49	4.827	4.900	4.974	4.778	5.023
UK48	4.728	4.800	4.872	4.680	4.920
UK47	4.630	4.700	4.771	4.583	4.818
UK46	4.561	4.630	4.699	4.514	4.746
UK45	4.433	4.500	4.568	4.388	4.613
UK44	4.314	4.380	4.446	4.270	4.490
UK43	4.236	4.300	4.365	4.193	4.408
UK42	4.137	4.200	4.263	4.095	4.305
UK41	4.039	4.100	4.162	3.998	4.203
UK40	3.940	4.000	4.060	3.900	4.100
UK39	3.842	3.900	3.959	3.803	3.998
UK38	3.743	3.800	3.857	3.705	3.895
UK37	3.645	3.700	3.756	3.608	3.793
UK36	3.546	3.600	3.654	3.510	3.690
UK35	3.448	3.500	3.553	3.413	3.588
UK34	3.349	3.400	3.451	3.315	3.485
UK33	3.251	3.300	3.350	3.218	3.383
UK32	3.152	3.200	3.248	3.120	3.280
UK31	3.034	3.080	3.126	3.003	3.157
UK30	2.955	3.000	3.045	2.925	3.075
UK29	2.886	2.930	2.974	2.857	3.000
UK28	2.758	2.800	2.842	2.730	2.870
UK27	2.660	2.700	2.741	2.633	2.768
UK26	2.591	2.630	2.669	2.564	2.696
UK25	2.463	2.500	2.538	2.438	2.563

\* Factory-trimmed reset thresholds are available in approximately 100mV increments with a  $\pm 1.5\%$  room-temperature variance.



# 5-Pin, Multiple-Input, Programmable Reset ICs

MAX6305-MAX6313

**Table 2. Device Marking Codes**

DEVICE	CODE	DEVICE	CODE	DEVICE	CODE	DEVICE	CODE
MAX6305UK00D1-T	ABAK	MAX6306UK41D3-T	ABCA	MAX6306UK30D1-T	ABDQ	MAX6307UK46D3-T	ABFG
MAX6305UK00D2-T	ABAL	MAX6306UK41D4-T	ABCB	MAX6306UK30D2-T	ABDR	MAX6307UK46D4-T	ABFH
MAX6305UK00D3-T	ABAM	MAX6306UK40D1-T	ABCC	MAX6306UK30D3-T	ABDS	MAX6307UK45D1-T	ABFI
MAX6305UK00D4-T	ABAN	MAX6306UK40D2-T	ABCD	MAX6306UK30D4-T	ABDT	MAX6307UK45D2-T	ABFJ
MAX6306UK50D1-T	ABAO	MAX6306UK40D3-T	ABCE	MAX6306UK29D1-T	ABDU	MAX6307UK45D3-T	ABFK
MAX6306UK50D2-T	ABAP	MAX6306UK40D4-T	ABCF	MAX6306UK29D2-T	ABDV	MAX6307UK45D4-T	ABFL
MAX6306UK50D3-T	ABAQ	MAX6306UK39D1-T	ABCG	MAX6306UK29D3-T	ABDW	MAX6307UK44D1-T	ABFM
MAX6306UK50D4-T	ABAR	MAX6306UK39D2-T	ABCH	MAX6306UK29D4-T	ABDX	MAX6307UK44D2-T	ABFN
MAX6306UK49D1-T	ABAS	MAX6306UK39D3-T	ABCI	MAX6306UK28D1-T	ABDY	MAX6307UK44D3-T	ABFO
MAX6306UK49D2-T	ABAT	MAX6306UK39D4-T	ABCI	MAX6306UK28D2-T	ABDZ	MAX6307UK44D4-T	ABFP
MAX6306UK49D3-T	ABAU	MAX6306UK38D1-T	ABCK	MAX6306UK28D3-T	ABEA	MAX6307UK43D1-T	ABFQ
MAX6306UK49D4-T	ABAV	MAX6306UK38D2-T	ABCL	MAX6306UK28D4-T	ABEB	MAX6307UK43D2-T	ABFR
MAX6306UK48D1-T	ABAW	MAX6306UK38D3-T	ABCM	MAX6306UK27D1-T	ABEC	MAX6307UK43D3-T	ABFS
MAX6306UK48D2-T	ABAX	MAX6306UK38D4-T	ABCN	MAX6306UK27D2-T	ABED	MAX6307UK43D4-T	ABFT
MAX6306UK48D3-T	ABAY	MAX6306UK37D1-T	ABCO	MAX6306UK27D3-T	ABEE	MAX6307UK42D1-T	ABFU
MAX6306UK48D4-T	ABAZ	MAX6306UK37D2-T	ABCP	MAX6306UK27D4-T	ABEF	MAX6307UK42D2-T	ABFV
MAX6306UK47D1-T	ABBA	MAX6306UK37D3-T	ABCQ	MAX6306UK26D1-T	ABEG	MAX6307UK42D3-T	ABFW
MAX6306UK47D2-T	ABBB	MAX6306UK37D4-T	ABCR	MAX6306UK26D2-T	ABEH	MAX6307UK42D4-T	ABFX
MAX6306UK47D3-T	ABBC	MAX6306UK36D1-T	ABCS	MAX6306UK26D3-T	ABEI	MAX6307UK41D1-T	ABFY
MAX6306UK47D4-T	ABBD	MAX6306UK36D2-T	ABCT	MAX6306UK26D4-T	ABEJ	MAX6307UK41D2-T	ABFZ
MAX6306UK46D1-T	ABBE	MAX6306UK36D3-T	ABCU	MAX6306UK25D1-T	ABEK	MAX6307UK41D3-T	ABGA
MAX6306UK46D2-T	ABBF	MAX6306UK36D4-T	ABCV	MAX6306UK25D2-T	ABEL	MAX6307UK41D4-T	ABGB
MAX6306UK46D3-T	ABBG	MAX6306UK35D1-T	ABCW	MAX6306UK25D3-T	ABEM	MAX6307UK40D1-T	ABGC
MAX6306UK46D4-T	ABBH	MAX6306UK35D2-T	ABCX	MAX6306UK25D4-T	ABEN	MAX6307UK40D2-T	ABGD
MAX6306UK45D1-T	ABBI	MAX6306UK35D3-T	ABCY	MAX6307UK50D1-T	ABEO	MAX6307UK40D3-T	ABGE
MAX6306UK45D2-T	ABBJ	MAX6306UK35D4-T	ABCZ	MAX6307UK50D2-T	ABEP	MAX6307UK40D4-T	ABGF
MAX6306UK45D3-T	ABBK	MAX6306UK34D1-T	ABDA	MAX6307UK50D3-T	ABEQ	MAX6307UK39D1-T	ABGG
MAX6306UK45D4-T	ABBL	MAX6306UK34D2-T	ABDB	MAX6307UK50D4-T	ABER	MAX6307UK39D2-T	ABGH
MAX6306UK44D1-T	ABBM	MAX6306UK34D3-T	ABDC	MAX6307UK49D1-T	ABES	MAX6307UK39D3-T	ABGI
MAX6306UK44D2-T	ABBN	MAX6306UK34D4-T	ABDD	MAX6307UK49D2-T	ABET	MAX6307UK39D4-T	ABGJ
MAX6306UK44D3-T	ABBO	MAX6306UK33D1-T	ABDE	MAX6307UK49D3-T	ABEU	MAX6307UK38D1-T	ABGK
MAX6306UK44D4-T	ABBP	MAX6306UK33D2-T	ABDF	MAX6307UK49D4-T	ABEV	MAX6307UK38D2-T	ABGL
MAX6306UK43D1-T	ABBQ	MAX6306UK33D3-T	ABDG	MAX6307UK48D1-T	ABEW	MAX6307UK38D3-T	ABGM
MAX6306UK43D2-T	ABBR	MAX6306UK33D4-T	ABDH	MAX6307UK48D2-T	ABEX	MAX6307UK38D4-T	ABGN
MAX6306UK43D3-T	ABBS	MAX6306UK32D1-T	ABDI	MAX6307UK48D3-T	ABEY	MAX6307UK37D1-T	ABGO
MAX6306UK43D4-T	ABBT	MAX6306UK32D2-T	ABDJ	MAX6307UK48D4-T	ABEZ	MAX6307UK37D2-T	ABGP
MAX6306UK42D1-T	ABBU	MAX6306UK32D3-T	ABDK	MAX6307UK47D1-T	ABFA	MAX6307UK37D3-T	ABGQ
MAX6306UK42D2-T	ABBV	MAX6306UK32D4-T	ABDL	MAX6307UK47D2-T	ABFB	MAX6307UK37D4-T	ABGR
MAX6306UK42D3-T	ABBW	MAX6306UK31D1-T	ABDM	MAX6307UK47D3-T	ABFC	MAX6307UK36D1-T	ABGS
MAX6306UK42D4-T	ABBX	MAX6306UK31D2-T	ABDN	MAX6307UK47D4-T	ABFD	MAX6307UK36D2-T	ABGT
MAX6306UK41D1-T	ABBY	MAX6306UK31D3-T	ABDO	MAX6307UK46D1-T	ABFE	MAX6307UK36D3-T	ABGU
MAX6306UK41D2-T	ABBZ	MAX6306UK31D4-T	ABDP	MAX6307UK46D2-T	ABFF	MAX6307UK36D4-T	ABGV

# 5-Pin, Multiple-Input, Programmable Reset ICs

MAX6305-MAX6313

**Table 2. Device Marking Codes (continued)**

DEVICE	CODE	DEVICE	CODE	DEVICE	CODE	DEVICE	CODE
MAX6307UK35D1-T	ABGW	MAX6307UK25D3-T	ABIM	MAX6309UK41D1-T	ABKC	MAX6309UK31D3-T	ABLS
MAX6307UK35D2-T	ABGX	MAX6307UK25D4-T	ABIN	MAX6309UK41D2-T	ABKD	MAX6309UK31D4-T	ABLT
MAX6307UK35D3-T	ABGY	MAX6308UK00D1-T	ABIO	MAX6309UK41D3-T	ABKE	MAX6309UK30D1-T	ABLU
MAX6307UK35D4-T	ABGZ	MAX6308UK00D2-T	ABIP	MAX6309UK41D4-T	ABKF	MAX6309UK30D2-T	ABLV
MAX6307UK34D1-T	ABHA	MAX6308UK00D3-T	ABIQ	MAX6309UK40D1-T	ABKG	MAX6309UK30D3-T	ABLW
MAX6307UK34D2-T	ABHB	MAX6308UK00D4-T	ABIR	MAX6309UK40D2-T	ABKH	MAX6309UK30D4-T	ABLX
MAX6307UK34D3-T	ABHC	MAX6309UK50D1-T	ABIS	MAX6309UK40D3-T	ABKI	MAX6309UK29D1-T	ABLY
MAX6307UK34D4-T	ABHD	MAX6309UK50D2-T	ABIT	MAX6309UK40D4-T	ABKJ	MAX6309UK29D2-T	ABLZ
MAX6307UK33D1-T	ABHE	MAX6309UK50D3-T	ABIU	MAX6309UK39D1-T	ABKK	MAX6309UK29D3-T	ABMA
MAX6307UK33D2-T	ABHF	MAX6309UK50D4-T	ABIV	MAX6309UK39D2-T	ABKL	MAX6309UK29D4-T	ABMB
MAX6307UK33D3-T	ABHG	MAX6309UK49D1-T	ABIW	MAX6309UK39D3-T	ABKM	MAX6309UK28D1-T	ABMC
MAX6307UK33D4-T	ABHH	MAX6309UK49D2-T	ABIX	MAX6309UK39D4-T	ABKN	MAX6309UK28D2-T	ABMD
MAX6307UK32D1-T	ABHI	MAX6309UK49D3-T	ABIY	MAX6309UK38D1-T	ABKO	MAX6309UK28D3-T	ABME
MAX6307UK32D2-T	ABHJ	MAX6309UK49D4-T	ABIZ	MAX6309UK38D2-T	ABKP	MAX6309UK28D4-T	ABMF
MAX6307UK32D3-T	ABHK	MAX6309UK48D1-T	ABJA	MAX6309UK38D3-T	ABKQ	MAX6309UK27D1-T	ABMG
MAX6307UK32D4-T	ABHL	MAX6309UK48D2-T	ABJB	MAX6309UK38D4-T	ABKR	MAX6309UK27D2-T	ABMH
MAX6307UK31D1-T	ABHM	MAX6309UK48D3-T	ABJC	MAX6309UK37D1-T	ABKS	MAX6309UK27D3-T	ABMI
MAX6307UK31D2-T	ABHN	MAX6309UK48D4-T	ABJD	MAX6309UK37D2-T	ABKT	MAX6309UK27D4-T	ABMJ
MAX6307UK31D3-T	ABHO	MAX6309UK47D1-T	ABJE	MAX6309UK37D3-T	ABKU	MAX6309UK26D1-T	ABMK
MAX6307UK31D4-T	ABHP	MAX6309UK47D2-T	ABJF	MAX6309UK37D4-T	ABKV	MAX6309UK26D2-T	ABML
MAX6307UK30D1-T	ABHQ	MAX6309UK47D3-T	ABJG	MAX6309UK36D1-T	ABKW	MAX6309UK26D3-T	ABMM
MAX6307UK30D2-T	ABHR	MAX6309UK47D4-T	ABJH	MAX6309UK36D2-T	ABKX	MAX6309UK26D4-T	ABMN
MAX6307UK30D3-T	ABHS	MAX6309UK46D1-T	ABJI	MAX6309UK36D3-T	ABKY	MAX6309UK25D1-T	ABMO
MAX6307UK30D4-T	ABHT	MAX6309UK46D2-T	ABJJ	MAX6309UK36D4-T	ABKZ	MAX6309UK25D2-T	ABMP
MAX6307UK29D1-T	ABHU	MAX6309UK46D3-T	ABJK	MAX6309UK35D1-T	ABLA	MAX6309UK25D3-T	ABMQ
MAX6307UK29D2-T	ABHV	MAX6309UK46D4-T	ABJL	MAX6309UK35D2-T	ABLB	MAX6309UK25D4-T	ABMR
MAX6307UK29D3-T	ABHW	MAX6309UK45D1-T	ABJM	MAX6309UK35D3-T	ABLC	MAX6310UK50D1-T	ABMS
MAX6307UK29D4-T	ABHX	MAX6309UK45D2-T	ABJN	MAX6309UK35D4-T	ABLD	MAX6310UK50D2-T	ABMT
MAX6307UK28D1-T	ABHY	MAX6309UK45D3-T	ABJO	MAX6309UK34D1-T	ABLE	MAX6310UK50D3-T	ABMU
MAX6307UK28D2-T	ABHZ	MAX6309UK45D4-T	ABJP	MAX6309UK34D2-T	ABLF	MAX6310UK50D4-T	ABMV
MAX6307UK28D3-T	ABIA	MAX6309UK44D1-T	ABJQ	MAX6309UK34D3-T	ABLG	MAX6310UK49D1-T	ABMW
MAX6307UK28D4-T	ABIB	MAX6309UK44D2-T	ABJR	MAX6309UK34D4-T	ABLH	MAX6310UK49D2-T	ABMX
MAX6307UK27D1-T	ABIC	MAX6309UK44D3-T	ABJS	MAX6309UK33D1-T	ABLI	MAX6310UK49D3-T	ABMY
MAX6307UK27D2-T	ABID	MAX6309UK44D4-T	ABJT	MAX6309UK33D2-T	ABLJ	MAX6310UK49D4-T	ABMZ
MAX6307UK27D3-T	ABIE	MAX6309UK43D1-T	ABJU	MAX6309UK33D3-T	ABLK	MAX6310UK48D1-T	ABNA
MAX6307UK27D4-T	ABIF	MAX6309UK43D2-T	ABJV	MAX6309UK33D4-T	ABLL	MAX6310UK48D2-T	ABNB
MAX6307UK26D1-T	ABIG	MAX6309UK43D3-T	ABJW	MAX6309UK32D1-T	ABLM	MAX6310UK48D3-T	ABNC
MAX6307UK26D2-T	ABIH	MAX6309UK43D4-T	ABJX	MAX6309UK32D2-T	ABLN	MAX6310UK48D4-T	ABND
MAX6307UK26D3-T	ABII	MAX6309UK42D1-T	ABJY	MAX6309UK32D3-T	ABLO	MAX6310UK47D1-T	ABNE
MAX6307UK26D4-T	ABIJ	MAX6309UK42D2-T	ABJZ	MAX6309UK32D4-T	ABLP	MAX6310UK47D2-T	ABNF
MAX6307UK25D1-T	ABIK	MAX6309UK42D3-T	ABKA	MAX6309UK31D1-T	ABLQ	MAX6310UK47D3-T	ABNG
MAX6307UK25D2-T	ABIL	MAX6309UK42D4-T	ABKB	MAX6309UK31D2-T	ABLR	MAX6310UK47D4-T	ABNH

# 5-Pin, Multiple-Input, Programmable Reset ICs

MAX6305-MAX6313

**Table 2. Device Marking Codes (continued)**

DEVICE	CODE	DEVICE	CODE	DEVICE	CODE	DEVICE	CODE
MAX6310UK46D1-T	ABNI	MAX6310UK36D3-T	ABOY	MAX6310UK25D1-T	ABQO	MAX6312UK42D3-T	ABSE
MAX6310UK46D2-T	ABNJ	MAX6310UK36D4-T	ABOZ	MAX6310UK25D2-T	ABQP	MAX6312UK42D4-T	ABSF
MAX6310UK46D3-T	ABNK	MAX6310UK35D1-T	ABPA	MAX6310UK25D3-T	ABQQ	MAX6312UK41D1-T	ABSG
MAX6310UK46D4-T	ABNL	MAX6310UK35D2-T	ABPB	MAX6310UK25D4-T	ABQR	MAX6312UK41D2-T	ABSH
MAX6310UK45D1-T	ABNM	MAX6310UK35D3-T	ABPC	MAX6311UK00D1-T	ABQS	MAX6312UK41D3-T	ABSI
MAX6310UK45D2-T	ABNN	MAX6310UK35D4-T	ABPD	MAX6311UK00D2-T	ABQT	MAX6312UK41D4-T	ABSJ
MAX6310UK45D3-T	ABNO	MAX6310UK34D1-T	ABPE	MAX6311UK00D3-T	ABQU	MAX6312UK40D1-T	ABSK
MAX6310UK45D4-T	ABNP	MAX6310UK34D2-T	ABPF	MAX6311UK00D4-T	ABQV	MAX6312UK40D2-T	ABSL
MAX6310UK44D1-T	ABNQ	MAX6310UK34D3-T	ABPG	MAX6311UK50D1-T	ABQW	MAX6312UK40D3-T	ABSM
MAX6310UK44D2-T	ABNR	MAX6310UK34D4-T	ABPH	MAX6312UK50D2-T	ABQX	MAX6312UK40D4-T	ABSN
MAX6310UK44D3-T	ABNS	MAX6310UK33D1-T	ABPI	MAX6312UK50D3-T	ABQY	MAX6312UK39D1-T	ABSO
MAX6310UK44D4-T	ABNT	MAX6310UK33D2-T	ABPJ	MAX6312UK50D4-T	ABQZ	MAX6312UK39D2-T	ABSP
MAX6310UK43D1-T	ABNU	MAX6310UK33D3-T	ABPK	MAX6312UK49D1-T	ABRA	MAX6312UK39D3-T	ABSQ
MAX6310UK43D2-T	ABNV	MAX6310UK33D4-T	ABPL	MAX6312UK49D2-T	ABRB	MAX6312UK39D4-T	ABSR
MAX6310UK43D3-T	ABNW	MAX6310UK32D1-T	ABPM	MAX6312UK49D3-T	ABRC	MAX6312UK38D1-T	ABSS
MAX6310UK43D4-T	ABNX	MAX6310UK32D2-T	ABPN	MAX6312UK49D4-T	ABRD	MAX6312UK38D2-T	ABST
MAX6310UK42D1-T	ABNY	MAX6310UK32D3-T	ABPO	MAX6312UK48D1-T	ABRE	MAX6312UK38D3-T	ABSU
MAX6310UK42D2-T	ABNZ	MAX6310UK32D4-T	ABPP	MAX6312UK48D2-T	ABRF	MAX6312UK38D4-T	ABSV
MAX6310UK42D3-T	ABOA	MAX6310UK31D1-T	ABPQ	MAX6312UK48D3-T	ABRG	MAX6312UK37D1-T	ABSW
MAX6310UK42D4-T	ABOB	MAX6310UK31D2-T	ABPR	MAX6312UK48D4-T	ABRH	MAX6312UK37D2-T	ABSX
MAX6310UK41D1-T	ABOC	MAX6310UK31D3-T	ABPS	MAX6312UK47D1-T	ABRI	MAX6312UK37D3-T	ABSY
MAX6310UK41D2-T	ABOD	MAX6310UK31D4-T	ABPT	MAX6312UK47D2-T	ABRJ	MAX6312UK37D4-T	ABSZ
MAX6310UK41D3-T	ABOE	MAX6310UK30D1-T	ABPU	MAX6312UK47D3-T	ABRK	MAX6312UK36D1-T	ABTA
MAX6310UK41D4-T	ABOF	MAX6310UK30D2-T	ABPV	MAX6312UK47D4-T	ABRL	MAX6312UK36D2-T	ABTB
MAX6310UK40D1-T	ABOG	MAX6310UK30D3-T	ABPW	MAX6312UK46D1-T	ABRM	MAX6312UK36D3-T	ABTC
MAX6310UK40D2-T	ABOH	MAX6310UK30D4-T	ABPX	MAX6312UK46D2-T	ABRN	MAX6312UK36D4-T	ABTD
MAX6310UK40D3-T	ABOI	MAX6310UK29D1-T	ABPY	MAX6312UK46D3-T	ABRO	MAX6312UK35D1-T	ABTE
MAX6310UK40D4-T	ABOJ	MAX6310UK29D2-T	ABPZ	MAX6312UK46D4-T	ABRP	MAX6312UK35D2-T	ABTF
MAX6310UK39D1-T	ABOK	MAX6310UK29D3-T	ABQA	MAX6312UK45D1-T	ABRQ	MAX6312UK35D3-T	ABTG
MAX6310UK39D2-T	ABOL	MAX6310UK29D4-T	ABQB	MAX6312UK45D2-T	ABRR	MAX6312UK35D4-T	ABTH
MAX6310UK39D3-T	ABOM	MAX6310UK28D1-T	ABQC	MAX6312UK45D3-T	ABRS	MAX6312UK34D1-T	ABTI
MAX6310UK39D4-T	ABON	MAX6310UK28D2-T	ABQD	MAX6312UK45D4-T	ABRT	MAX6312UK34D2-T	ABTJ
MAX6310UK38D1-T	ABOO	MAX6310UK28D3-T	ABQE	MAX6312UK44D1-T	ABRU	MAX6312UK34D3-T	ABTK
MAX6310UK38D2-T	ABOP	MAX6310UK28D4-T	ABQF	MAX6312UK44D2-T	ABRV	MAX6312UK34D4-T	ABTL
MAX6310UK38D3-T	ABOQ	MAX6310UK27D1-T	ABQG	MAX6312UK44D3-T	ABRW	MAX6312UK33D1-T	ABTM
MAX6310UK38D4-T	ABOR	MAX6310UK27D2-T	ABQH	MAX6312UK44D4-T	ABRX	MAX6312UK33D2-T	ABTN
MAX6310UK37D1-T	ABOS	MAX6310UK27D3-T	ABQI	MAX6312UK43D1-T	ABRY	MAX6312UK33D3-T	ABTO
MAX6310UK37D2-T	ABOT	MAX6310UK27D4-T	ABQJ	MAX6312UK43D2-T	ABRZ	MAX6312UK33D4-T	ABTP
MAX6310UK37D3-T	ABOU	MAX6310UK26D1-T	ABQK	MAX6312UK43D3-T	ABSA	MAX6312UK32D1-T	ABTQ
MAX6310UK37D4-T	ABOV	MAX6310UK26D2-T	ABQL	MAX6312UK43D4-T	ABSB	MAX6312UK32D2-T	ABTR
MAX6310UK36D1-T	ABOW	MAX6310UK26D3-T	ABQM	MAX6312UK42D1-T	ABSC	MAX6312UK32D3-T	ABTS
MAX6310UK36D2-T	ABOX	MAX6310UK26D4-T	ABQN	MAX6312UK42D2-T	ABSD	MAX6312UK32D4-T	ABTT

# 5-Pin, Multiple-Input, Programmable Reset ICs

MAX6305-MAX6313

**Table 2. Device Marking Codes (continued)**

DEVICE	CODE	DEVICE	CODE	DEVICE	CODE	DEVICE	CODE
MAX6312UK31D1-T	ABTU	MAX6313UK49D2-T	ABVB	MAX6313UK41D3-T	ABWI	MAX6313UK33D4-T	ABXP
MAX6312UK31D2-T	ABTV	MAX6313UK49D3-T	ABVC	MAX6313UK41D4-T	ABWJ	MAX6313UK32D1-T	ABXQ
MAX6312UK31D3-T	ABTW	MAX6313UK49D4-T	ABVD	MAX6313UK40D1-T	ABWK	MAX6313UK32D2-T	ABXR
MAX6312UK31D4-T	ABTX	MAX6313UK48D1-T	ABVE	MAX6313UK40D2-T	ABWL	MAX6313UK32D3-T	ABXS
MAX6312UK30D1-T	ABTY	MAX6313UK48D2-T	ABVF	MAX6313UK40D3-T	ABWM	MAX6313UK32D4-T	ABXT
MAX6312UK30D2-T	ABTZ	MAX6313UK48D3-T	ABVG	MAX6313UK40D4-T	ABWN	MAX6313UK31D1-T	ABXU
MAX6312UK30D3-T	ABUA	MAX6313UK48D4-T	ABVH	MAX6313UK39D1-T	ABWO	MAX6313UK31D2-T	ABXV
MAX6312UK30D4-T	ABUB	MAX6313UK47D1-T	ABVI	MAX6313UK39D2-T	ABWP	MAX6313UK31D3-T	ABXW
MAX6312UK29D1-T	ABUC	MAX6313UK47D2-T	ABVJ	MAX6313UK39D3-T	ABWQ	MAX6313UK31D4-T	ABXX
MAX6312UK29D2-T	ABUD	MAX6313UK47D3-T	ABVK	MAX6313UK39D4-T	ABWR	MAX6313UK30D1-T	ABXY
MAX6312UK29D3-T	ABUE	MAX6313UK47D4-T	ABVL	MAX6313UK38D1-T	ABWS	MAX6313UK30D2-T	ABXZ
MAX6312UK29D4-T	ABUF	MAX6313UK46D1-T	ABVM	MAX6313UK38D2-T	ABWT	MAX6313UK30D3-T	ABYA
MAX6312UK28D1-T	ABUG	MAX6313UK46D2-T	ABVN	MAX6313UK38D3-T	ABWU	MAX6313UK30D4-T	ABYB
MAX6312UK28D2-T	ABUH	MAX6313UK46D3-T	ABVO	MAX6313UK38D4-T	ABWV	MAX6313UK29D1-T	ABYC
MAX6312UK28D3-T	ABUI	MAX6313UK46D4-T	ABVP	MAX6313UK37D1-T	ABWW	MAX6313UK29D2-T	ABYD
MAX6312UK28D4-T	ABUJ	MAX6313UK45D1-T	ABVQ	MAX6313UK37D2-T	ABWX	MAX6313UK29D3-T	ABYE
MAX6312UK27D1-T	ABUK	MAX6313UK45D2-T	ABVR	MAX6313UK37D3-T	ABWY	MAX6313UK29D4-T	ABYF
MAX6312UK27D2-T	ABUL	MAX6313UK45D3-T	ABVS	MAX6313UK37D4-T	ABWZ	MAX6313UK28D1-T	ABYG
MAX6312UK27D3-T	ABUM	MAX6313UK45D4-T	ABVT	MAX6313UK36D1-T	ABXA	MAX6313UK28D2-T	ABYH
MAX6312UK27D4-T	ABUN	MAX6313UK44D1-T	ABVU	MAX6313UK36D2-T	ABXB	MAX6313UK28D3-T	ABYI
MAX6312UK26D1-T	ABUO	MAX6313UK44D2-T	ABVV	MAX6313UK36D3-T	ABXC	MAX6313UK28D4-T	ABYJ
MAX6312UK26D2-T	ABUP	MAX6313UK44D3-T	ABVW	MAX6313UK36D4-T	ABXD	MAX6313UK27D1-T	ABYK
MAX6312UK26D3-T	ABUQ	MAX6313UK44D4-T	ABVX	MAX6313UK35D1-T	ABXE	MAX6313UK27D2-T	ABYL
MAX6312UK26D4-T	ABUR	MAX6313UK43D1-T	ABVY	MAX6313UK35D2-T	ABXF	MAX6313UK27D3-T	ABYM
MAX6312UK25D1-T	ABUS	MAX6313UK43D2-T	ABVZ	MAX6313UK35D3-T	ABXG	MAX6313UK27D4-T	ABYN
MAX6312UK25D2-T	ABUT	MAX6313UK43D3-T	ABWA	MAX6313UK35D4-T	ABXH	MAX6313UK26D1-T	ABYO
MAX6312UK25D3-T	ABUU	MAX6313UK43D4-T	ABWB	MAX6313UK34D1-T	ABXI	MAX6313UK26D2-T	ABYP
MAX6312UK25D4-T	ABUV	MAX6313UK42D1-T	ABWC	MAX6313UK34D2-T	ABXJ	MAX6313UK26D3-T	ABYQ
MAX6313UK50D1-T	ABUW	MAX6313UK42D2-T	ABWD	MAX6313UK34D3-T	ABXK	MAX6313UK26D4-T	ABYR
MAX6313UK50D2-T	ABUX	MAX6313UK42D3-T	ABWE	MAX6313UK34D4-T	ABXL	MAX6313UK25D1-T	ABYS
MAX6313UK50D3-T	ABUY	MAX6313UK42D4-T	ABWF	MAX6313UK33D1-T	ABXM	MAX6313UK25D2-T	ABYT
MAX6313UK50D4-T	ABUZ	MAX6313UK41D1-T	ABWG	MAX6313UK33D2-T	ABXN	MAX6313UK25D3-T	ABYU
MAX6313UK49D1-T	ABVA	MAX6313UK41D2-T	ABWH	MAX6313UK33D3-T	ABXO	MAX6313UK25D4-T	ABYV

# 5-Pin, Multiple-Input, Programmable Reset ICs

MAX6305-MAX6313

## Ordering Information (continued)

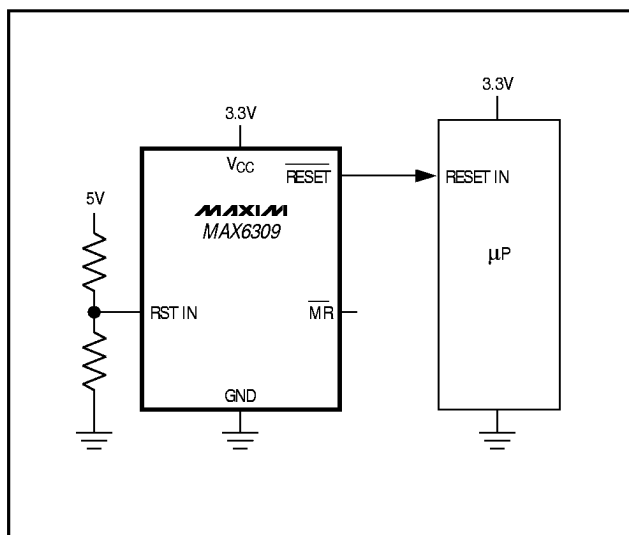
PART†	TEMP. RANGE	PIN-PACKAGE
MAX6308UK00D_-T	0°C to +70°C	5 SOT23-5
MAX6309UK__D_-T	0°C to +70°C	5 SOT23-5
MAX6310UK__D_-T	0°C to +70°C	5 SOT23-5
MAX6311UK00D_-T	0°C to +70°C	5 SOT23-5
MAX6312UK__D_-T	0°C to +70°C	5 SOT23-5
MAX6313UK__D_-T	0°C to +70°C	5 SOT23-5

† The MAX6306/MAX6307/MAX6309/MAX6310/MAX6312/MAX6313 are available with factory-set  $V_{CC}$  reset thresholds from 2.5V to 5V, in 0.1V increments. Insert the desired nominal reset threshold (from Table 1) into the blanks following the letters UK. All parts also offer factory-programmed reset timeout periods. Insert the number corresponding to the desired nominal timeout period index following the "D" in the part number (D1 = 1ms min, D2 = 20ms min, D3 = 140ms min, and D4 = 1120ms min). Contact factory for availability and minimum order sizes.

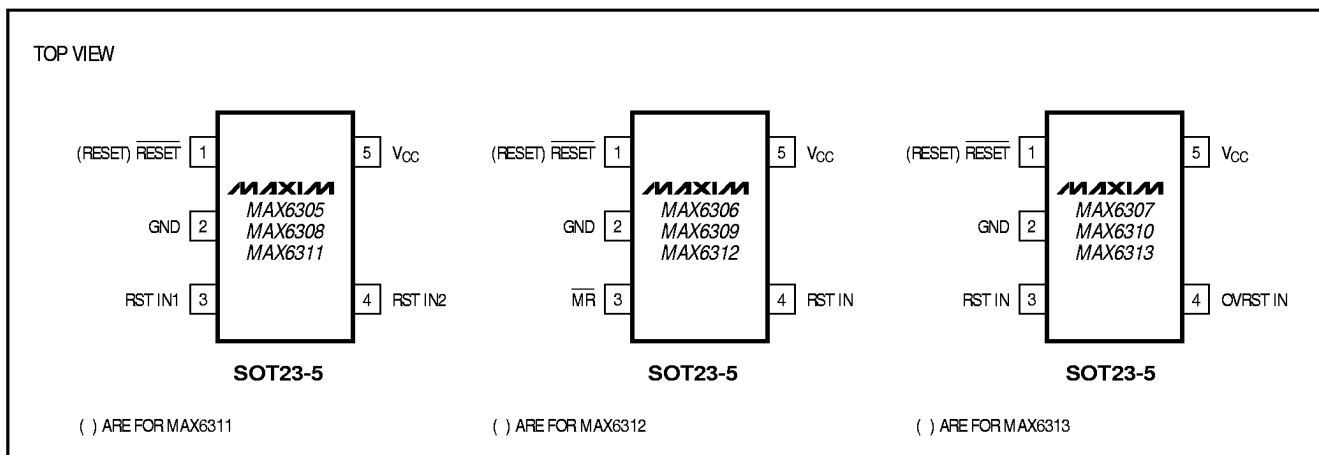
## Chip Information

TRANSISTOR COUNT: 800

## Typical Operating Circuit



## Pin Configurations



# 5-Pin, Multiple-Input, Programmable Reset ICs

## Package Information

SYMBOL	MIN	MAX
A	0.90	1.45
A1	0.00	0.15
A2	0.90	1.30
b	0.35	0.50
C	0.08	0.20
D	2.80	3.00
E	2.60	3.00
E1	1.50	1.75
L	0.35	0.55
e	0.95 REF	
e1	1.90 REF	
a	0°	10°

**NOTE:**

1. ALL DIMENSIONS ARE IN MILLIMETERS.
2. FOOT LENGTH MEASURED AT INTERCEPT POINT BETWEEN DATUM A & LEAD SURFACE.
3. PACKAGE OUTLINE EXCLUSIVE OF MOLD FLASH & METAL BURR.
4. PACKAGE OUTLINE INCLUSIVE OF SOLDER PLATING.

<b>MAXIM</b>		
<small>PROPRIETARY INFORMATION</small>		
<small>TITLE:</small>		
PACKAGE OUTLINE, SOT23, 5L		
<small>APPROVAL</small>	<small>DOCUMENT CONTROL NO.</small>	<small>REV</small>
	21-0057	B 1/1

SOT23-5L