

Metallized Film Power Capacitor

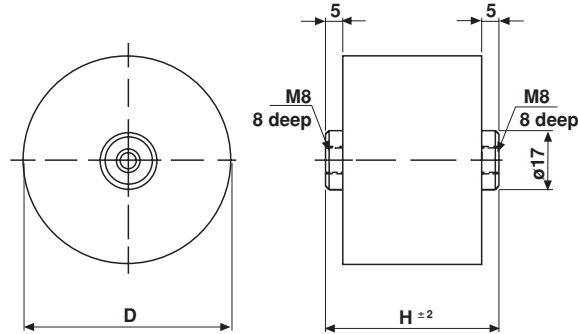


FEATURES

- Lowest stray inductance
- Extremely low losses also at high frequencies
- Low ESR: < 4mΩ
- Highest RMS current rating: up to 100A
- High impulse discharge current capability
- Heavy duty shock and vibration
- High reliability and life expectancy
- Easy mounting

GENERAL SPECIFICATIONS	
Dielectric	Polypropylene
Temperature coefficient (TCC)	- 2.3% from - 20°C to + 70°C
Dissipation factor (DF)	< 4 x 10 ⁻⁴ /2kHz
Capacitance tolerance	± 5%
Operating temperature	- 40°C to + 70°C at U _R - 40°C to + 100°C at 0.5* U _R
Inductance	< 10nH
Lifetime expectancy	100,000 hours at U _R and 60°C
Reliability	300FIT
Test voltage	Terminal/Terminal = 1.5*U _R DC, 10s Terminal/Earth = 6000VAC, 60s
Casing material	Polypropylene
Filling	Resin Polyurethane, UL 94, V-0
Standards	IEC 61071-1, EN 61071 and IEC 61881

DIMENSIONS



TYPE DESCRIPTION							
TYPE GLI	RATED VOLTAGE		CAPACITANCE (μ F)	CURRENT* MAX. (A)	du/dt MAX. (V/ μ s)	D (mm)	H (mm)
	DC (V)	AC (V)					
700-35 A	700	200	35	80	450	87	44
700-160 A	700	200	160	100	150	87	62
700-230 A	700	200	230	100	100	87	74
900-25 A	900	250	25	60	500	87	44
900-100 A	900	250	100	80	150	87	62
900-150 A	900	250	150	90	125	87	74
1100-15 A	1100	300	15	50	750	87	44
1100-75 A	1100	300	75	80	200	87	62
1100-100 A	1100	300	100	80	150	87	74
1250-50 A	1250	350	50	70	250	87	62
1250-75 A	1250	350	75	70	150	87	74
1450-40 A	1450	400	40	70	250	87	62
1450-60 A	1450	400	60	70	200	87	74
1800-25 A	1800	450	25	50	300	87	62
1800-35 A	1800	450	35	50	250	87	74
2150-18 A	2150	500	18	40	400	87	62
2150-25 A	2150	500	25	40	300	87	74

Note: Other voltage and capacitance values are available upon request.

*Design current for short term operation at 50°C



Disclaimer

All product specifications and data are subject to change without notice.

Vishay Intertechnology, Inc., its affiliates, agents, and employees, and all persons acting on its or their behalf (collectively, "Vishay"), disclaim any and all liability for any errors, inaccuracies or incompleteness contained herein or in any other disclosure relating to any product.

Vishay disclaims any and all liability arising out of the use or application of any product described herein or of any information provided herein to the maximum extent permitted by law. The product specifications do not expand or otherwise modify Vishay's terms and conditions of purchase, including but not limited to the warranty expressed therein, which apply to these products.

No license, express or implied, by estoppel or otherwise, to any intellectual property rights is granted by this document or by any conduct of Vishay.

The products shown herein are not designed for use in medical, life-saving, or life-sustaining applications unless otherwise expressly indicated. Customers using or selling Vishay products not expressly indicated for use in such applications do so entirely at their own risk and agree to fully indemnify Vishay for any damages arising or resulting from such use or sale. Please contact authorized Vishay personnel to obtain written terms and conditions regarding products designed for such applications.

Product names and markings noted herein may be trademarks of their respective owners.