

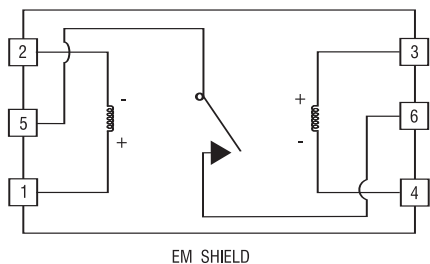
Features

- Senses telephone line current from 18 to 125mA
- Includes 1 Form A relay contact
- Maximum closure time 1 ms including bounce
- Achieves 63 dB minimum longitudinal balance
- Provides 1500 VDC coil-to-contact isolation
- Improved RFI shielding
- UL Recognized
- Applications include: central office products, PBX and key systems, rotary dial monitoring devices,

Description

The M-949-01 Line Sense relay is a small PWB-mount loop current detector with the safety and reliability features required for FCC Part 68 regulated telephone applications. When connected to the voice pair (Tip and Ring of an ordinary telephone line, the M-949-01 provides a 1 Form A relay closure in response to current above 20mA flowing through the wires. This closure can be used by control circuitry for on-hook/off-hook monitoring, switchhook flash detection, and rotary dial pulse counting. Simple in design and rugged in construction, the M-949-01 is ideally suited for use with the Teltone M-959, M-8870, M-8880, M-8888, and other loop current controlled telephone dialing receivers.

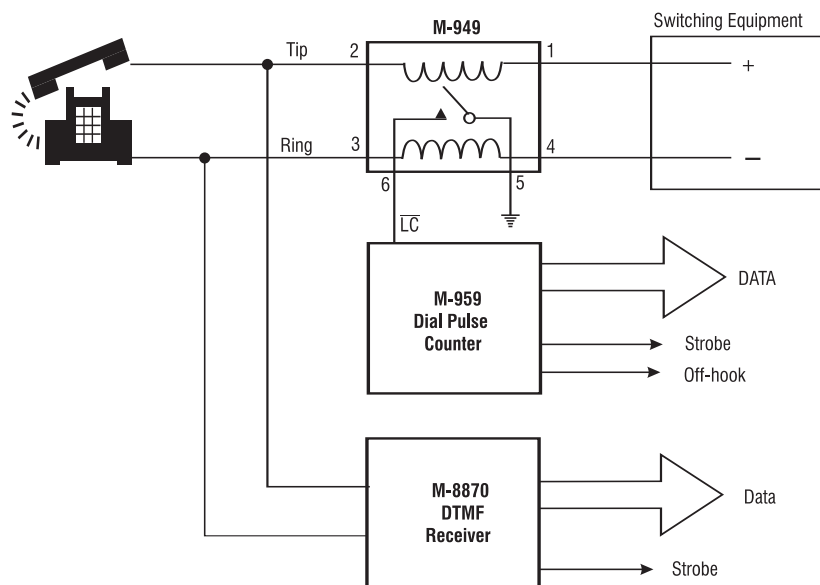
Figure 1 Electrical Configuration



Ordering Information

Part #	Description
M-949-11	Line Sense Relay

Figure 2 Typical Application: Dialed Digit Monitor



Absolute Maximum Ratings*

	Tolerance			
	Inches		Metric	
	Min	Max	Min	Max
A	-	1.20	-	30.50
B	-	0.41	-	10.40
C	0.345	0.375	8.76	9.53
D	0.125	0.140	3.18	3.56
E	0.016 typ.		0.41 typ.	
F	0.021	0.031	0.53	0.79
G	0.10 ref.		2.5 ref.	
H	0.10 typ.		2.5 ref.	
I	0.985	1.015	25.02	25.78

Absolute Maximum Ratings are stress ratings. Stresses in excess of these ratings can cause permanent damage to the device. Functional operation of the device at conditions beyond those indicated in the operational sections of this data sheet is not implied.

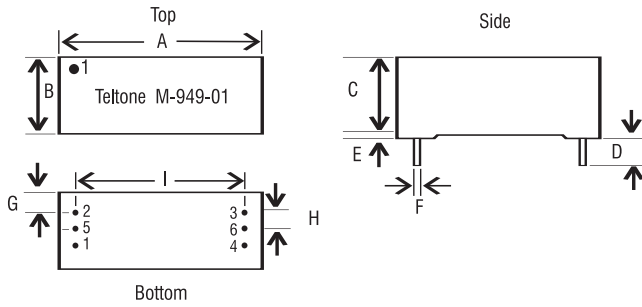
Specifications

	Parameter	Conditions	Min	Max	Units	Notes
Dual Coils	Pick Up Current	0° to 70°C ambient	18	-	mA	1
	Drop Out Current	0° to 70°C ambient	-	6	mA	1
	Coil Current	20°C ambient	-	125	mA	2
	Coil Resistance	-	-	20	ohms	-
	Coil Inductance	-	-	4	mH	3
	Longitudinal Balance	-	63	-	dB	4
	Excitation to Closure Time (Including Bounce)	-	-	1	ms	5
	Excitation Removal to Open Time	-	-	0.5	ms	-
Relay Contact	Voltage Rating	-	200	-	VDC	-
	Current Rating	-	500	-	mA	-
	Power (Resistive) Rating	-	10	-	W	-
	Rated Life	-	10 ⁷	-	operations	6
Dielectric Strength	Open Contacts	-	300	-	VDC	-
	Coil to Coil	-	1000	-	VDC	-
	Coil to Contact	-	1500	-	VDC	-
Ambient Temperature	Operating	85% RH	0	70	°C	-
	Non-operating	95% RH	-20	70	°C	-

Notes:

1. With coils in series-aiding configuration.
2. With the current continuously applied.
3. At 1 kHz.
4. With current of 20-100mA at 200-3000 kHz.
5. With current of 20mA and coils series-aiding configuration.
6. At 10W (resistive.)
7. Maximum initial contact resistance ≤ 1.0ohms.

MECHANICAL DIMENSIONS



Dimensions
mm
(inches)

For additional information please visit our website at: www.clare.com

Clare, Inc. makes no representations or warranties with respect to the accuracy or completeness of the contents of this publication and reserves the right to make changes to specifications and product descriptions at any time without notice. Neither circuit patent licenses nor indemnity are expressed or implied. Except as set forth in Clare's Standard Terms and Conditions of Sale, Clare, Inc. assumes no liability whatsoever, and disclaims any express or implied warranty, relating to its products including, but not limited to, the implied warranty of merchantability, fitness for a particular purpose, or infringement of any intellectual property right.

The products described in this document are not designed, intended, authorized or warranted for use as components in systems intended for surgical implant into the body, or in other applications intended to support or sustain life, or where malfunction of Clare's product may result in direct physical harm, injury, or death to a person or severe property or environmental damage. Clare, Inc. reserves the right to discontinue or make changes to its products at any time without notice.