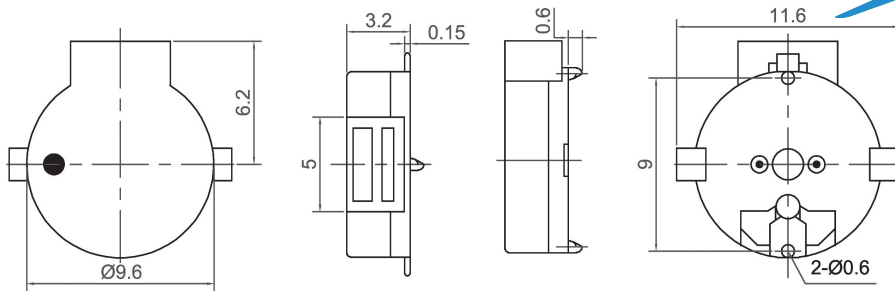
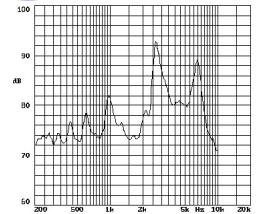


SMD Magnetic Transducer (AC)



CSMT1003-X

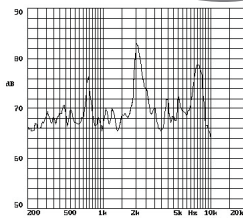
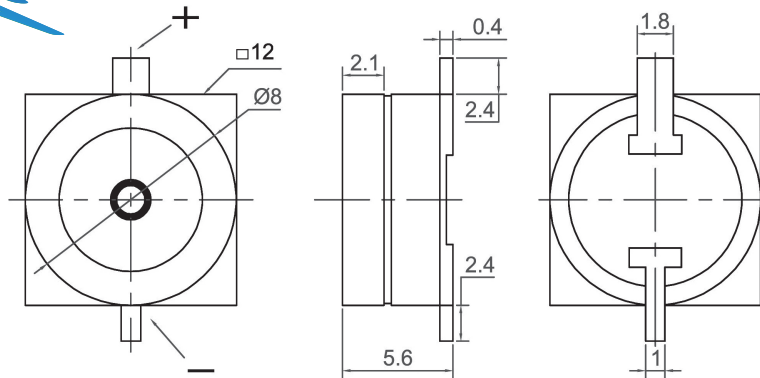
Canopus Part no.	Operating Voltage (V)	Rated Voltage (V)	Max Rated Current (mA)	Coil Resistance (Ω)	Min Sound Output (dBA)	Resonant Frequency (Hz)	Operating Temperature ($^{\circ}$ C)	Housing	Weight (g)
CSMT1003D2670LX	2 ~ 5	3.6	80	16 \pm 2.4	90 at 10cm	2670	-30 ~ +70	LCP	0.5
CSMT1003D2731LX	2 ~ 5	3.6	80	16 \pm 2.4	90 at 10cm	2731	-30 ~ +70	LCP	0.5
CSMT1003D3100LX	2 ~ 5	3.6	80	16 \pm 2.4	90 at 10cm	3100	-30 ~ +70	LCP	0.5



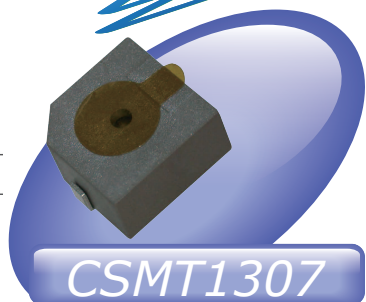
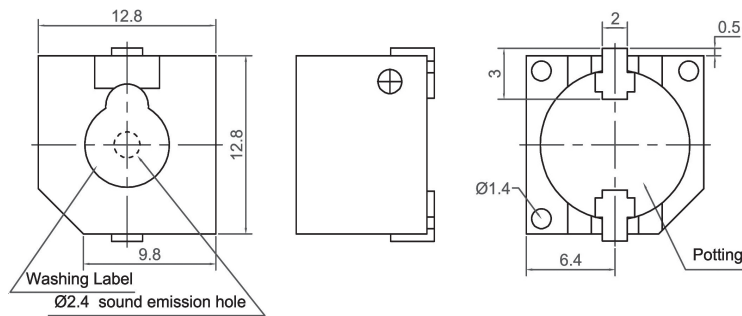
CANOPUS



CSMT1206

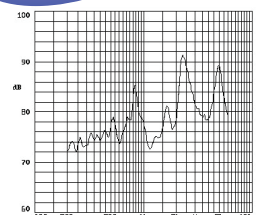


Canopus Part no.	Operating Voltage (V)	Rated Voltage (V)	Max Rated Current (mA)	Coil Resistance (Ω)	Min Sound Output (dBA)	Resonant Frequency (Hz)	Operating Temperature ($^{\circ}$ C)	Housing	Weight (g)
CSMT1206A2048L	1 ~ 2	1.5	30	15 \pm 7.5	75 at 10cm	2048	-20 ~ +70	PPS	2



CSMT1307

Canopus Part no.	Operating Voltage (V)	Rated Voltage (V)	Max Rated Current (mA)	Coil Resistance (Ω)	Min Sound Output (dBA)	Resonant Frequency (Hz)	Operating Temperature ($^{\circ}$ C)	Housing	Weight (g)
CSMT1307C3000L	2 ~ 4	3	70	16 \pm 4.5	87 at 10cm	3000	-30 ~ +70	PPS	2
CSMT1307E2048L	4 ~ 8	5	40	47 \pm 5	87 at 10cm	2048	-30 ~ +70	PPS	2
CSMT1307E2400L	3 ~ 8	5	40	47 \pm 5	87 at 10cm	2400	-30 ~ +70	PPS	2
CSMT1307H2048L	8 ~ 16	12	45	140 \pm 14	87 at 10cm	2048	-30 ~ +70	PPS	2
CSMT1307H2400L	8 ~ 16	12	45	140 \pm 14	87 at 10cm	2400	-30 ~ +70	PPS	2



Your Efficient Supplier
www.canopus.com.hk

TEL.: (852) 2806 2812 Fax: (852) 2652 2216