

## VCE1 14 x 9.8 mm Crystal Oscillators

### Featuring

- 3.3 or 5.0 Vdc Option
- Low Cost
- Tight Stability
- 0°C to +70°C and -40°C to +85°C

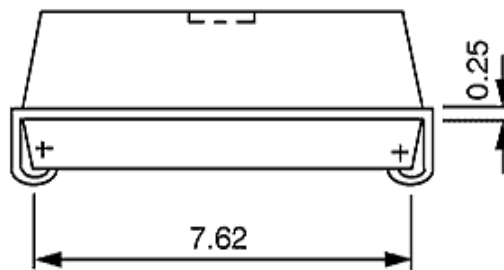
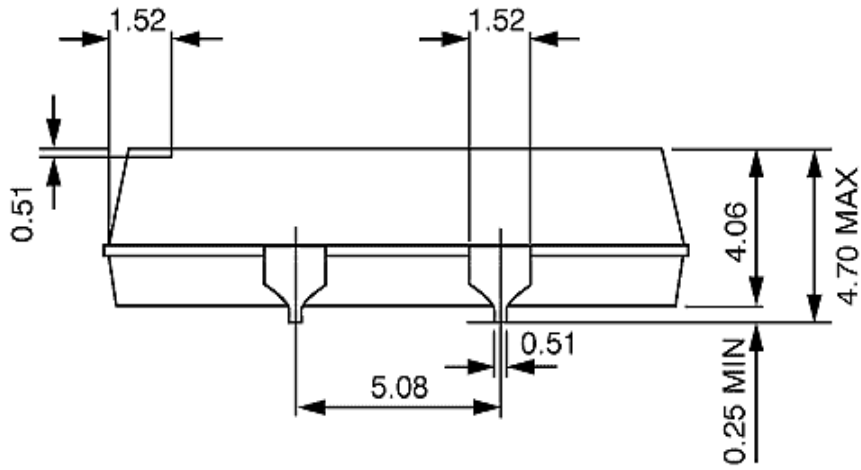
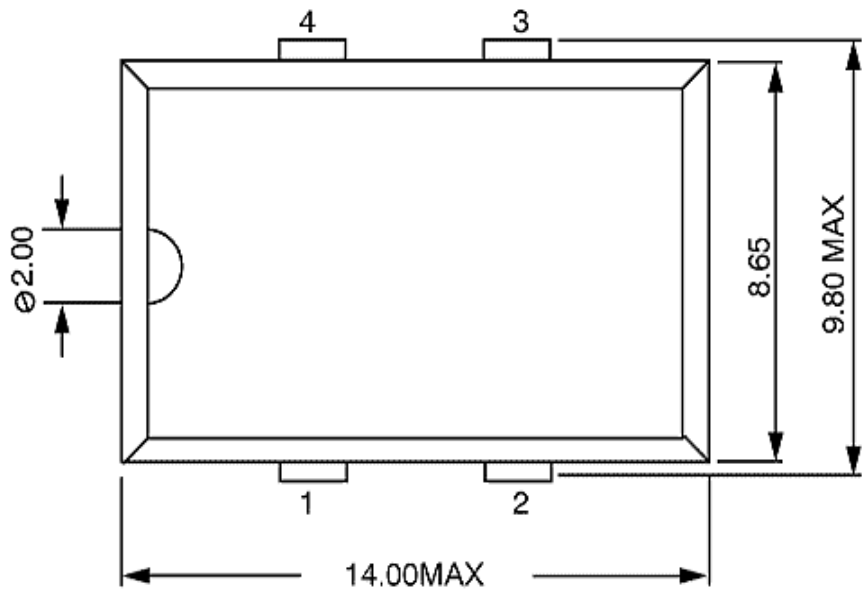


<b>Frequency Range</b>	1 to 66.667 MHz
<b>Standard Freqs</b>	See <a href="#">Standard Frequency Table</a>
<b>Package Options</b>	<b>E1</b> = 14 x 9.8 x 4.7 mm tall 4 pads
<b>Voltage Options/ Load Drive</b>	<b>A</b> = +5.0 Vdc ±10% 15pF <b>B</b> = +3.3 Vdc ±10% 15pF <b>E</b> = +5.0 Vdc ±10% 50pF
<b>Electrical Options</b>	<b>0</b> = No Tristate 60/40 Symmetry <b>1</b> = Tristate 60/40 Symmetry <b>2</b> = No Tristate 55/45 Symmetry <b>3</b> = Tristate 55/45 Symmetry
<b>Tristate</b>	N/C = OUTPUT Logic 1 = OUTPUT Logic 0 = High Impedance
<b>Stability Options</b>	<b>A</b> = ±100 PPM 0°C to +70°C <b>B</b> = ±50 PPM 0°C to +70°C <b>C</b> = ±100 PPM -40°C to +85°C <b>D</b> = ±50 PPM -40°C to +85°C
<b>Storage Temperature</b>	-55°C to +125°C
<b>Start-Up</b>	10 ms Maximum
<b>Aging (Typical)</b>	<5.0 PPM/first year at +40°C dynamic
<b>Load</b>	HCMOS/TTL
<b>Tr &amp; Tf</b>	8 ns maximum
<b>Current</b>	40 mA Maximum
<b>Standard Packaging</b>	Tape & Reel ** Consult Factory for Frequency Available
<b>Typical P/N</b>	<b>VCE1-A1A-40M000</b>

**E1** = 14 x 9.8 x 4.7 mm tall 4 pads  
**A** = +5.0 Vdc  
**1** = Tristate 60/40 Symmetry  
**A** = ±100 PPM 0°C to 70°C

[Generate your own part number!](#)

We welcome your custom requests and will issue a custom part number for items that are not listed.



Pin #	Function
1	NC/3-State
2	GND
3	OUT
4	VDD

Dimensions in mm.