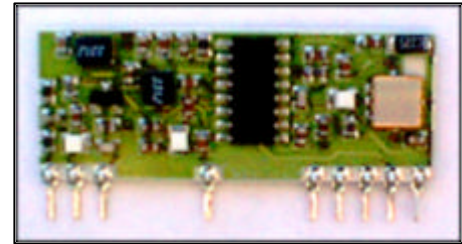


**FEATURES**

- COMPACT HYBRID MODULE.
- CERAMIC SUBSTRATE
- VERY HIGH FREQUENCY STABILITY
- SAW FILTER FRONT END.
- RECEIVING RANGE UP TO 100 METRES.
- SENSITIVITY TYP -106dBm
- CMOS/TTL COMPATIBLE OUTPUT.
- SINGLE SUPPLY VOLTAGE 5V.
- COMPATIBLE WITH R.F. SOLUTIONS AM TRANSMITTERS.
- IETS 300-220 Compliant

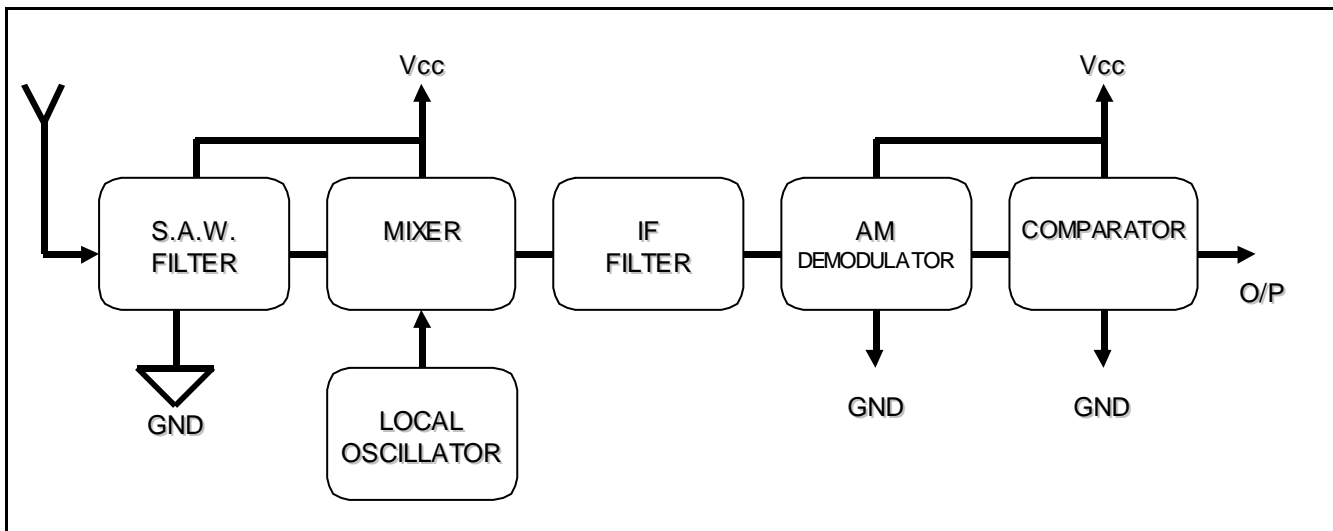


**DESCRIPTION**

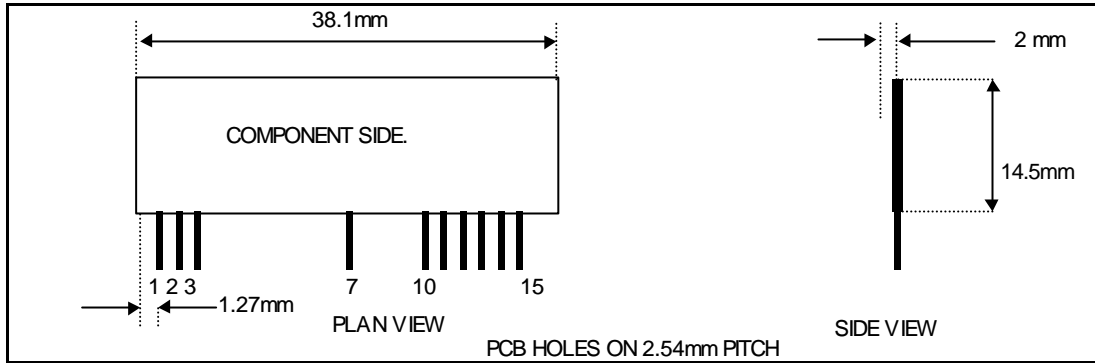
The R.F. Solutions AM Superheterodyne Receiver module offers a compact modular RF receiver, which can be used to capture undecoded data from any equivalent AM Transmitter, such as R.F. Solutions AM-RT4 range of transmitters. (See AM Transmitter data sheet).

The receiver is manufactured on a ceramic substrate incorporates a SAW Filter and pre amplifier front end for maximum sensitivity and reduced EMC emissions. These modules show a very high frequency stability over a wide operating temperature even when subjected to mechanical vibrations or manual handling offering a very cost effective solution.

**BLOCK DIAGRAM**



**Mechanical Details**



**Pin Descriptions**

Pin No	Pin Name	Pin No	Pin Name
1	+Vcc	10	NC
2	GND	11	GND
3	DATA IN (Antenna)	12	NC
4	NC	13	NC
5	NC	14	DATA OUT
6	NC	15	+VCC
7	GND		

Ambient temperature = 25° Celcius.

ELECTRICAL CHARACTERISTICS	MIN	TYPICAL	MAX	DIMENSION
Supply Voltage (Vcc)	4.5	5	5.5	V
Supply Current		5	6	mA
Receiver Frequency		433.92		MHz
Working Frequency (custom Freq Available)		250-450		MHz
R.F Sensitivity (100% AM)		-106		dBm
3dB Bandwidth		+/-400		KHz
Max Data Rate			3	KHz
Turn on Time			20	mSecs
Level of Emitted Spectrum		-70	-70	dBm
Low Level Output Voltage			0.6	V
High Level Output Voltage	Vcc-0.5			V
Operating Temperature Range	-25		+80	°C

ORDERING INFORMATION	
<b>AM-RRS3-315</b>	Receiver Module 315MHz
<b>AM-RRS3-418</b>	Receiver Module 418MHz
<b>AM-RRS3-433</b>	Receiver Module 433MHz

Should you require further assistance, please call;

**R. F. Solutions Ltd.,**  
**Unit 21, Cliffe Industrial Estate,**  
**South Street,**  
**Lewes,**  
**E Sussex, BN8 6JL. England.**  
**Tel +44 (0)1273 898 000. Fax +44 (0)1273 480 661.**  
**Email sales@rfsolutions.co.uk**  
**http://www.rfsolutions.co.uk**



*RF Solutions is a member of the Low Power Radio Association.*

Information contained in this document is believed to be accurate, however no representation or warranty is given and no liability is assumed by R.F. Solutions Ltd. with respect to the accuracy of such information. Use of R.F.Solutions as critical components in life support systems is not authorised except with express written approval from R.F.Solutions Ltd.