

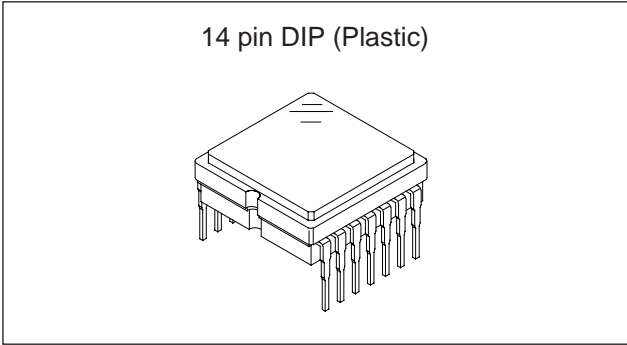
Diagonal 3.6mm (Type 1/5) CCD Image Sensor for CCIR Black-and-White Video Cameras

Description

The ICX077AL is an interline CCD solid-state image sensor suitable for CCIR black-and-white video cameras. High sensitivity and low dark current are achieved through the adoption of HAD (Hole-Accumulation Diode) sensors.

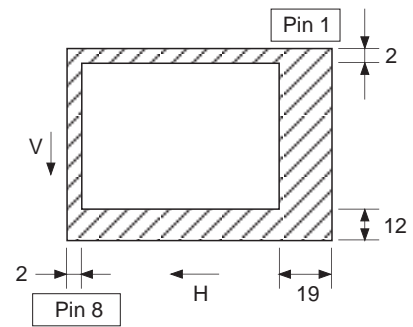
This chip features a field integration readout system and an electronic shutter with variable charge-storage time.

The package is a 10mm-square 14-pin DIP (Plastic).



Features

- High sensitivity and low dark current
- 6.75MHz horizontal drive frequency employed
- Electronic iris, backlight compensation function (when CXD2409 is used)
- Low smear
- Excellent antiblooming characteristics
- Horizontal register: 5V drive
- Reset gate: 5V drive (no bias adjustment)



**Optical black position
(Top View)**

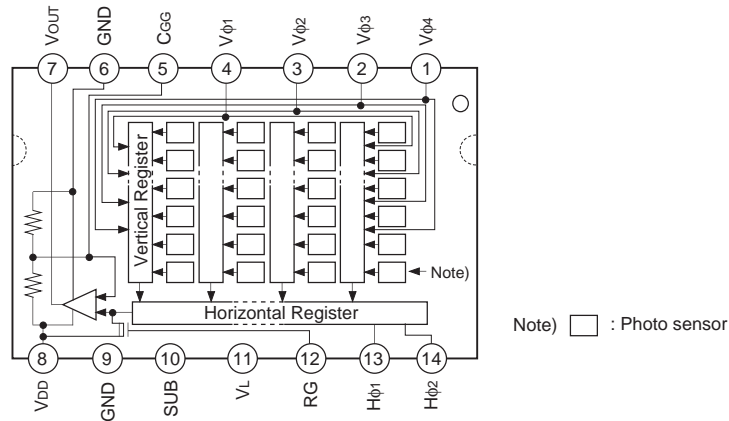
Device Structure

- Image size: Diagonal 3.6mm (Type 1/5)
- Number of effective pixels: 358 (H) × 583 (V) approx. 210K pixels
- Total number of pixels: 379 (H) × 597 (V) approx. 230K pixels
- Interline CCD image sensor
- Chip size: 3.75mm (H) × 3.30mm(V)
- Unit cell size: 8.20μm (H) × 3.75μm(V)
- Optical black: Horizontal (H) direction: Front 2 pixels, rear 19 pixels
Vertical (V) direction: Front 12 pixels, rear 2 pixels
- Number of dummy bits: Horizontal 14
Vertical 1 (even fields only)
- Substrate material: Silicon

Sony reserves the right to change products and specifications without prior notice. This information does not convey any license by any implication or otherwise under any patents or other right. Application circuits shown, if any, are typical examples illustrating the operation of the devices. Sony cannot assume responsibility for any problems arising out of the use of these circuits.

Block Diagram and Pin Configuration

(Top View)



Pin Description

| Pin No. | Symbol | Description | Pin No. | Symbol | Description |
|---------|------------------|----------------------------------|---------|--------|------------------------------------|
| 1 | Vφ4 | Vertical register transfer clock | 8 | VDD | Supply voltage |
| 2 | Vφ3 | Vertical register transfer clock | 9 | GND | GND |
| 3 | Vφ2 | Vertical register transfer clock | 10 | SUB | Substrate (overflow drain) |
| 4 | Vφ1 | Vertical register transfer clock | 11 | VL | Protective transistor bias |
| 5 | C _{GG} | Output amplifier gate *1 | 12 | RG | Reset gate clock |
| 6 | GND | GND | 13 | Hφ1 | Horizontal register transfer clock |
| 7 | V _{OUT} | Signal output | 14 | Hφ2 | Horizontal register transfer clock |

*1 DC bias is applied within the CCD, so that this pin should be grounded externally through a capacitance of 1μF or more.

Absolute Maximum Ratings

| Item | | Ratings | Unit | Remarks |
|--|--|---------------|------|---------|
| Substrate voltage SUB – GND | | -0.3 to +55 | V | |
| Supply voltage | V _{DD} , V _{OUT} , C _{GG} – GND | -0.3 to +18 | V | |
| | V _{DD} , V _{OUT} , C _{GG} – SUB | -55 to +12 | V | |
| Clock input voltage | Vφ1, Vφ2, Vφ3, Vφ4 – GND | -15 to +20 | V | |
| | Vφ1, Vφ2, Vφ3, Vφ4 – SUB | to +12 | V | |
| Voltage difference between vertical clock input pins | | to +15 | V | *2 |
| Voltage difference between horizontal clock input pins | | to +17 | V | |
| Hφ1, Hφ2 – Vφ4 | | -17 to +17 | V | |
| Hφ1, Hφ2 – GND | | -10 to +15 | V | |
| Hφ1, Hφ2 – SUB | | -55 to +10 | V | |
| VL – SUB | | -65 to +0.3 | V | |
| Vφ1, Vφ3, V _{DD} , V _{OUT} – VL | | -0.3 to +27.5 | V | *3 |
| RG – GND | | -0.3 to +22.5 | V | |
| Vφ2, Vφ4, C _{GG} , Hφ1, Hφ2, GND – VL | | -0.3 to +17.5 | V | |
| Storage temperature | | -30 to +80 | °C | |
| Operating temperature | | -10 to +60 | °C | |

*2 +27V (Max.) when clock width < 10μs, clock duty factor < 0.1%.

*3 When C_{GG} or GND (Pin 6) are grounded.

-0.3 to +17.5V when C_{GG} and GND (Pin 6) are to be disconnected.

Bias Conditions

| Item | Symbol | Min. | Typ. | Max. | Unit | Remarks |
|--|------------------|-------------------------|-------------------|-------------------------|------|---------|
| Supply voltage | V _{DD} | 14.25 | 15.0 | 15.75 | V | |
| Substrate voltage adjustment range | V _{SUB} | 5.0 | | 12.75 | V | *1 |
| Substrate voltage adjustment precision | | Indicated voltage – 0.1 | Indicated voltage | Indicated voltage + 0.1 | V | |
| Protective transistor bias | V _L | *2 | | | | |

DC Characteristics

| Item | Symbol | Min. | Typ. | Max. | Unit | Remarks |
|----------------|------------------|------|------|------|------|---------|
| Supply current | I _{DD} | | 3 | 5 | mA | |
| Input current | I _{IN1} | | | 1 | μA | *3 |
| Input current | I _{IN2} | | | 10 | μA | *4 |

*1 Indications of substrate voltage (V_{SUB}) setting value

The setting value of the substrate voltage is indicated on the back of image sensor by a special code. Adjust the substrate voltage (V_{SUB}) to the indicated voltage.

V_{SUB} code – one character indication
 ↑
 V_{SUB} code

Code and optimal setting correspond to each other as follows.

| | | | | | | | | | | | | | | |
|-----------------------|-----|------|-----|------|-----|------|-----|------|-----|------|-----|------|-----|------|
| V _{SUB} code | — | = | 0 | 1 | 2 | 3 | 4 | 6 | 7 | 8 | 9 | A | C | d |
| Optimal setting | 5.0 | 5.25 | 5.5 | 5.75 | 6.0 | 6.25 | 6.5 | 6.75 | 7.0 | 7.25 | 7.5 | 7.75 | 8.0 | 8.25 |

| | | | | | | | | | | | | | | |
|-----------------------|-----|------|-----|------|-----|------|------|-------|------|-------|------|-------|------|-------|
| V _{SUB} code | E | f | G | h | J | K | L | m | N | P | R | S | U | V |
| Optimal setting | 8.5 | 8.75 | 9.0 | 9.25 | 9.5 | 9.75 | 10.0 | 10.25 | 10.5 | 10.75 | 11.0 | 11.25 | 11.5 | 11.75 |

| | | | | |
|-----------------------|------|-------|------|-------|
| V _{SUB} code | W | X | Y | Z |
| Optimal setting | 12.0 | 12.25 | 12.5 | 12.75 |

<Example> "L" → V_{SUB} = 10.0V

*2 V_L setting is the V_{VL} voltage of the vertical transfer clock waveform, or the same power supply as the V_L power supply for the V driver should be used.

- *3
- 1) Current to each pin when 16V is applied to V_{DD}, V_{OUT}, R_G, C_{GG}, GND (Pin 6), and SUB pins, while pins that are not tested are grounded.
 - 2) Current to each pin when 20V is applied sequentially to V_{φ1}, V_{φ2}, V_{φ3}, and V_{φ4} pins, while pins that are not tested are grounded. However, 20V is applied to SUB pin.
 - 3) Current to each pin when 15V is applied sequentially to H_{φ1} and H_{φ2} pins, while pins that are not tested are grounded. However, 15V is applied to SUB pin.
 - 4) Current to V_L pin when 25V is applied to V_{φ1}, V_{φ3}, V_{DD}, and V_{OUT} pins or when, 15V is applied to V_{φ2}, V_{φ4}, H_{φ1}, and H_{φ2} pins, while V_L pin is grounded. However, GND and SUB pins are left open.
 - 5) Current to GND pin when 20V is applied to the R_G pin and the GND pin is grounded.

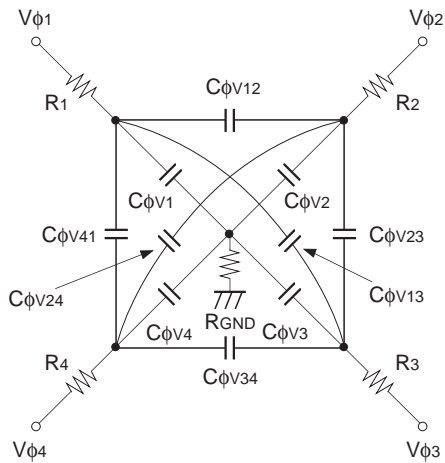
*4 Current to SUB pin when 55V is applied to SUB pin, while all pins that are not tested are grounded.

Clock Voltage Conditions

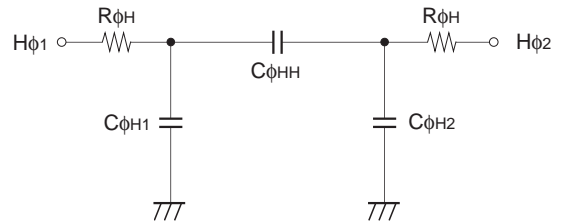
| Item | Symbol | Min. | Typ. | Max. | Unit | Waveform diagram | Remarks |
|-----------------------------------|--------------------------------------|----------------|----------------|----------------|------|------------------|--|
| Readout clock voltage | V_{VT} | 14.25 | 15.0 | 15.75 | V | 1 | |
| Vertical transfer clock voltage | V_{VH1}, V_{VH2} | -0.05 | 0 | 0.05 | V | 2 | $V_{VH} = (V_{VH1} + V_{VH2})/2$ |
| | V_{VH3}, V_{VH4} | -0.2 | 0 | 0.05 | V | 2 | |
| | $V_{VL1}, V_{VL2}, V_{VL3}, V_{VL4}$ | -8.5 | -8.0 | -7.5 | V | 2 | $V_{VL} = (V_{VL3} + V_{VL4})/2$ |
| | $V_{\phi V}$ | 7.3 | 8.0 | 8.55 | V | 2 | $V_{\phi V} = V_{VHn} - V_{VLn} (n = 1 \text{ to } 4)$ |
| | $V_{VH3} - V_{VH}$ | -0.25 | | 0.1 | V | 2 | |
| | $V_{VH4} - V_{VH}$ | -0.25 | | 0.1 | V | 2 | |
| | V_{VHH} | | | 0.3 | V | 2 | High-level coupling |
| | V_{VHL} | | | 0.3 | V | 2 | High-level coupling |
| | V_{VLH} | | | 0.3 | V | 2 | Low-level coupling |
| | V_{VLL} | | | 0.3 | V | 2 | Low-level coupling |
| Horizontal transfer clock voltage | $V_{\phi H}$ | 4.75 | 5.0 | 5.25 | V | 3 | |
| | V_{HL} | -0.05 | 0 | 0.05 | V | 3 | |
| Reset gate clock voltage | $V_{\phi RG}$ | 4.5 | 5.0 | 5.5 | V | 4 | Input through 0.01 μ F capacitance |
| | $V_{RGLH} - V_{RGLL}$ | | | 0.8 | V | 4 | Low-level coupling |
| | V_{RGH} | $V_{DD} + 0.3$ | $V_{DD} + 0.6$ | $V_{DD} + 0.9$ | V | 4 | |
| Substrate clock voltage | $V_{\phi SUB}$ | 21.25 | 22.5 | 23.75 | V | 5 | |

Clock Equivalent Circuit Constant

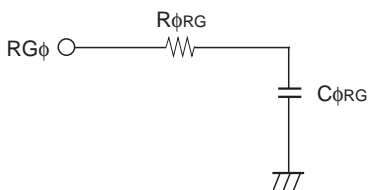
| Item | Symbol | Min. | Typ. | Max. | Unit | Remarks |
|---|------------------------|------|------|------|----------|---------|
| Capacitance between vertical transfer clock and GND | $C\phi V1, C\phi V3$ | | 520 | | pF | |
| | $C\phi V2, C\phi V4$ | | 390 | | pF | |
| Capacitance between vertical transfer clocks | $C\phi V12, C\phi V34$ | | 220 | | pF | |
| | $C\phi V23, C\phi V41$ | | 150 | | pF | |
| | $C\phi V13, C\phi V24$ | | 39 | | pF | |
| Capacitance between horizontal transfer clock and GND | $C\phi H1, C\phi H2$ | | 24 | | pF | |
| Capacitance between horizontal transfer clocks | $C\phi HH$ | | 18 | | pF | |
| Capacitance between reset gate clock and GND | $C\phi RG$ | | 3 | | pF | |
| Capacitance between substrate clock and GND | $C\phi SUB$ | | 170 | | pF | |
| Vertical transfer clock series resistor | $R1, R2, R3, R4$ | | 100 | | Ω | |
| Vertical transfer clock ground resistor | R_{GND} | | 15 | | Ω | |
| Horizontal transfer clock series resistor | $R\phi H$ | | 30 | | Ω | |
| Reset gate clock series resistor | $R\phi RG$ | | 39 | | Ω | |



Vertical transfer clock equivalent circuit



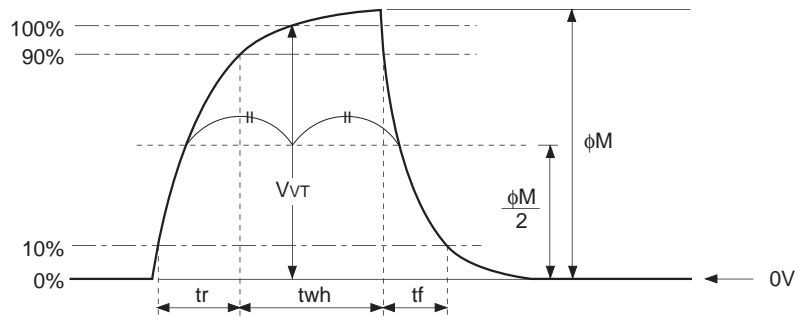
Horizontal transfer clock equivalent circuit



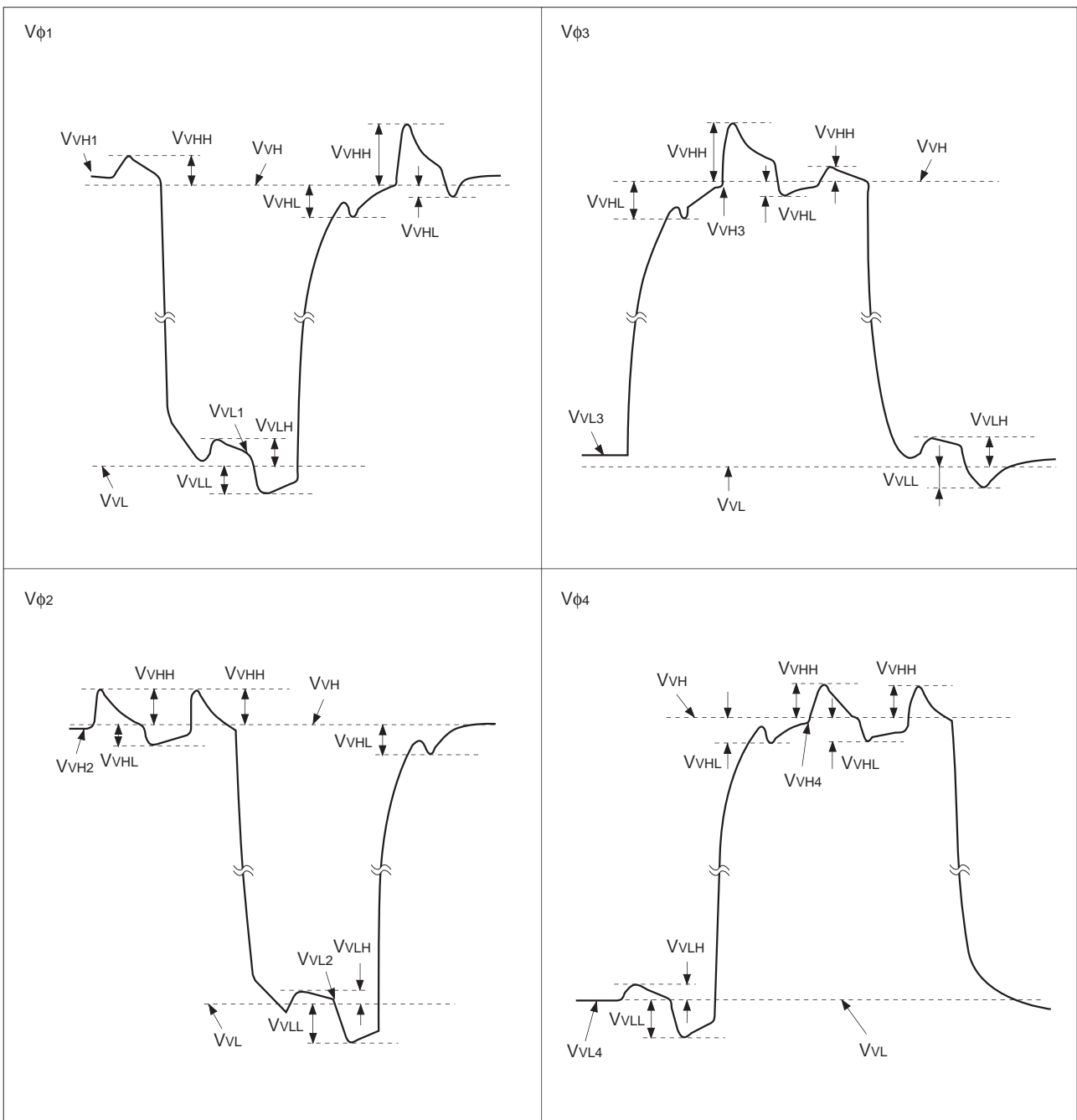
Reset gate clock equivalent circuit

Drive Clock Waveform Conditions

(1) Readout clock waveform



(2) Vertical transfer clock waveform

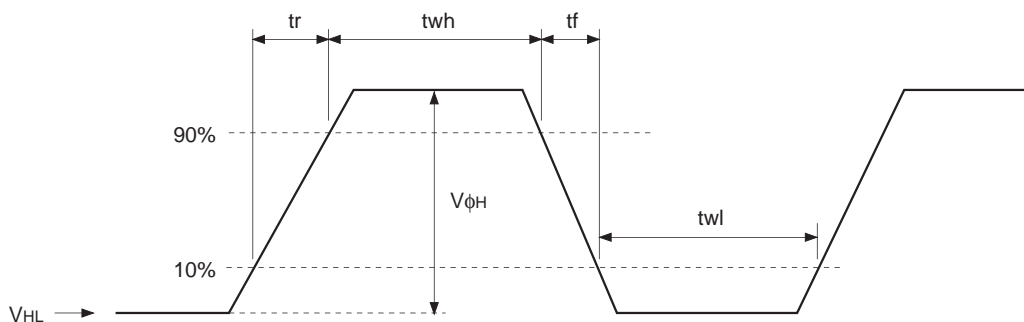


$$V_{vH} = (V_{vH1} + V_{vH2})/2$$

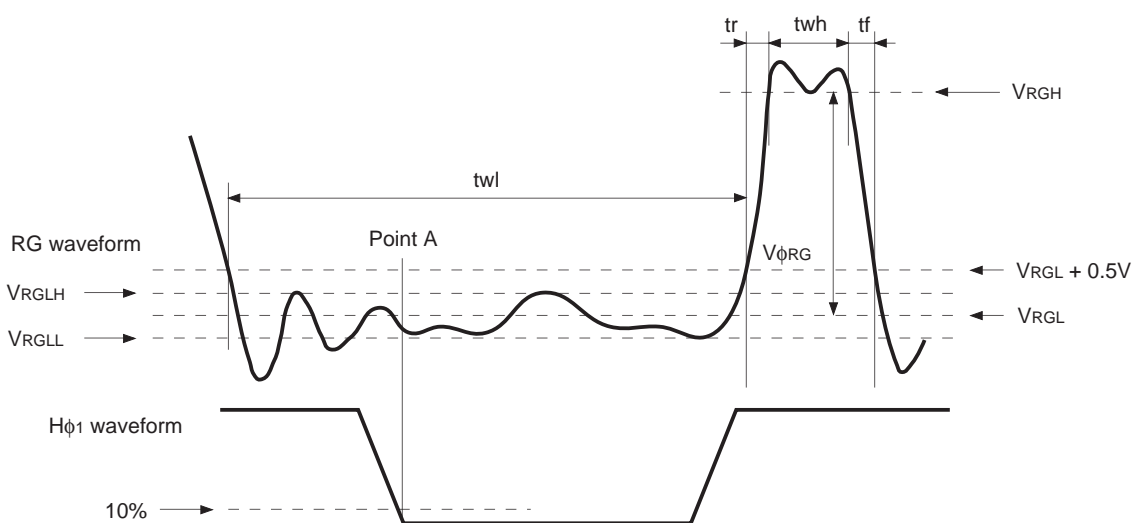
$$V_{vL} = (V_{vL3} + V_{vL4})/2$$

$$V_{\phi v} = V_{vHn} - V_{vLn} \quad (n = 1 \text{ to } 4)$$

(3) Horizontal transfer clock waveform



(4) Reset gate clock waveform



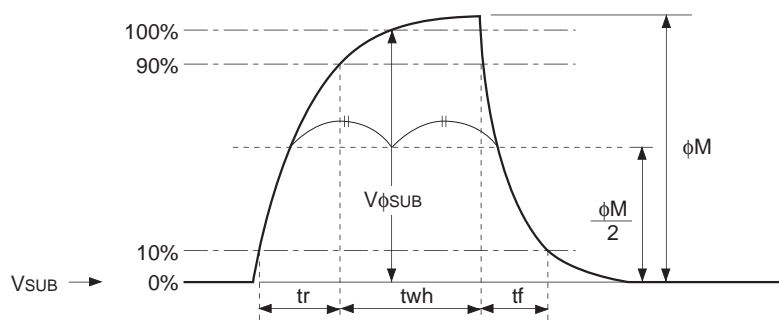
V_{RGLH} is the maximum value and V_{RGLL} is the minimum value of the coupling waveform during the period from Point A in the above diagram until the rising edge of RG. In addition, V_{RGL} is the average value of V_{RGLH} and V_{RGLL} .

$$V_{RGL} = (V_{RGLH} + V_{RGLL})/2$$

Assuming V_{RGH} is the minimum value during the interval t_{wh} , then:

$$V_{\phi RG} = V_{RGH} - V_{RGL}$$

(5) Substrate clock waveform



Clock Switching Characteristics

| Item | Symbol | twh | | | twl | | | tr | | | tf | | | Unit | Remarks |
|---------------------------|--|------|------|------|------|------|------|------|-------|------|------|-------|------|---------------|-----------------------------------|
| | | Min. | Typ. | Max. | Min. | Typ. | Max. | Min. | Typ. | Max. | Min. | Typ. | Max. | | |
| Readout clock | V_T | 2.3 | 2.5 | | | | | | 0.5 | | | 0.5 | | μs | During readout |
| Vertical transfer clock | $V_{\phi 1}, V_{\phi 2}, V_{\phi 3}, V_{\phi 4}$ | | | | | | | | | | 15 | | 250 | ns | *1 |
| Horizontal transfer clock | H_{ϕ} | 55 | 67 | | 55 | 67 | | | 9 | 18 | | 7 | 18 | ns | During imaging |
| | $H_{\phi 1}$ | | 5.6 | | | | | | 0.007 | | | 0.007 | | μs | During parallel-serial conversion |
| | $H_{\phi 2}$ | | | | | 5.6 | | | 0.007 | | | 0.007 | | μs | |
| Reset gate clock | ϕ_{RG} | 25 | 34 | | | 107 | | | 8 | | | 5 | | ns | |
| Substrate clock | ϕ_{SUB} | 1.5 | 1.65 | | | | | | | 0.5 | | | 0.5 | μs | During drain charge |

*1 When vertical transfer clock driver CXD1267 is used. tr and tf are defined by the rise and fall times for 10% to 90% of the interval between V_{VL} and V_{VH} .

Image Sensor Characteristics

(Ta = 25°C)

| Item | Symbol | Min. | Typ. | Max. | Unit | Measurement method | Remarks |
|----------------------|--------------|------|-------|-------|------|--------------------|-----------|
| Sensitivity | S | 220 | 300 | | mV | 1 | |
| Saturation signal | Vsat | 630 | | | mV | 2 | Ta = 60°C |
| Smear | Sm | | 0.007 | 0.012 | % | 3 | |
| Video signal shading | SH | | | 25 | % | 4 | Zone II' |
| Dark signal | Vdt | | | 2 | mV | 5 | Ta = 60°C |
| Dark signal shading | ΔVdt | | | 1 | mV | 6 | Ta = 60°C |
| Lag | Lag | | | 0.5 | % | 7 | |

Zone Definition of Video Signal Shading

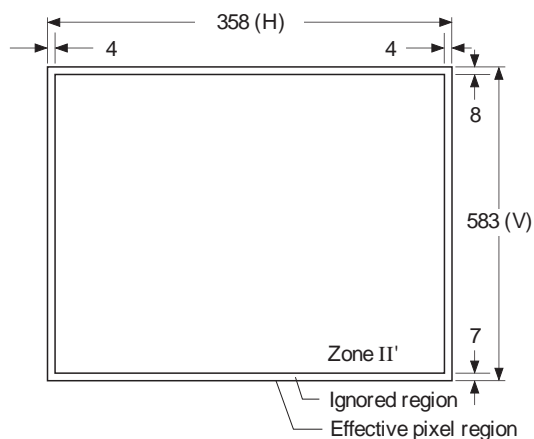


Image Sensor Characteristics Measurement Method

◎ Measurement conditions

- 1) In the following measurements, the substrate voltage is set to the value indicated on the device, and the device drive conditions are at the typical values of the bias and clock voltage conditions.
- 2) In the following measurements, spot blemishes are excluded and, unless otherwise specified, the optical black (OB) level is used as the reference for the signal output, and the value measured at point [*A] in the drive circuit example is used.

◎ Definition of standard imaging conditions

- 1) Standard imaging condition I:
Use a pattern box (luminance 706cd/m², color temperature of 3200K halogen source) as a subject. (Pattern for evaluation is not applicable.) Use a testing standard lens with CM500S (t = 1.0mm) as an IR cut filter and image at F8. The luminous intensity to the sensor receiving surface at this point is defined as the standard sensitivity testing luminous intensity.
- 2) Standard imaging condition II:
Image a light source (color temperature of 3200K) with a uniformity of brightness within 2% at all angles. Use a testing standard lens with CM500S (t = 1.0mm) as an IR cut filter. The luminous intensity is adjusted to the value indicated in each testing item by the lens diaphragm.

1. Sensitivity

Set to standard imaging condition I. After selecting the electronic shutter mode with a shutter speed of 1/250s, measure the signal (Vs) at the center of the screen and substitute the value into the following formula.

$$S = V_s \times \frac{250}{50} \text{ [mV]}$$

2. Saturation signal

Set to standard imaging condition II. After adjusting the luminous intensity to 10 times the intensity with average value of signal output, 200mV, measure the minimum value of the signal output.

3. Smear

Set to standard imaging condition II. With the lens diaphragm at F5.6 to F8, adjust the luminous intensity to 500 times the intensity with average value of signal output, 200mV. When the readout clock is stopped and the charge drain is executed by the electronic shutter at the respective H blankings, measure the maximum value VSm [mV] of the signal output and substitute the value into the following formula.

$$S_m = \frac{V_{Sm}}{200} \times \frac{1}{500} \times \frac{1}{10} \times 100 \text{ [%]} \text{ (1/10V method conversion value)}$$

4. Video signal shading

Set to standard imaging condition II. With the lens diaphragm at F5.6 to F8, adjust the luminous intensity so that the average value of the signal output is 200mV. Then measure the maximum (Vmax [mV]) and minimum (Vmin [mV]) values of the signal output and substitute the values into the following formula.

$$SH = (V_{max} - V_{min})/200 \times 100 \text{ [%]}$$

5. Dark signal

Measure the average value of the signal output (Vdt [mV]) with the device ambient temperature 60°C and the device in the light-obstructed state, using the horizontal idle transfer level as a reference.

6. Dark signal shading

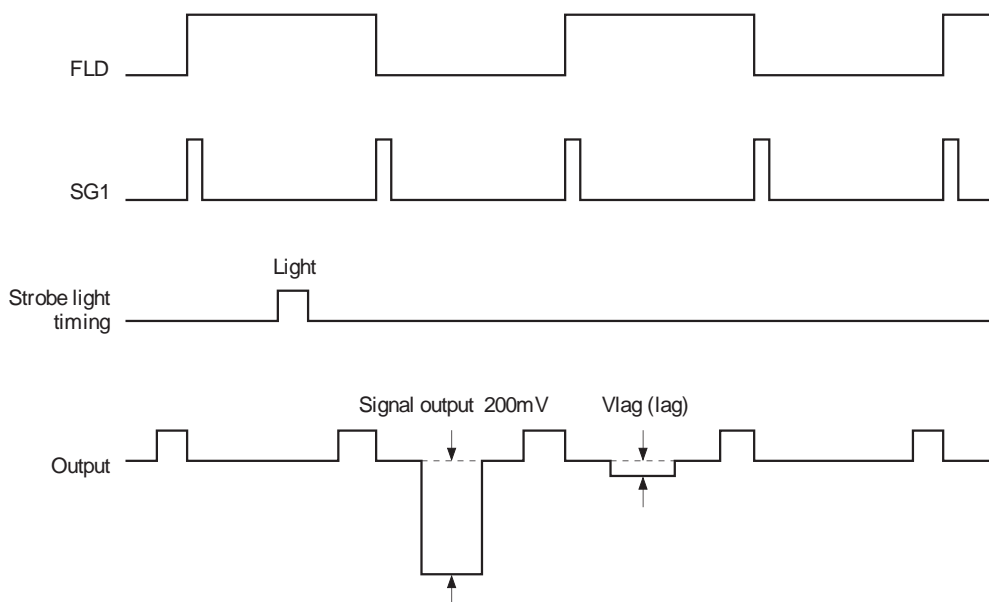
After measuring 5, measure the maximum (Vdmax [mV]) and minimum (Vdmin [mV]) values of the dark signal output and substitute the values into the following formula.

$$\Delta V_{dt} = V_{dmax} - V_{dmin} \text{ [mV]}$$

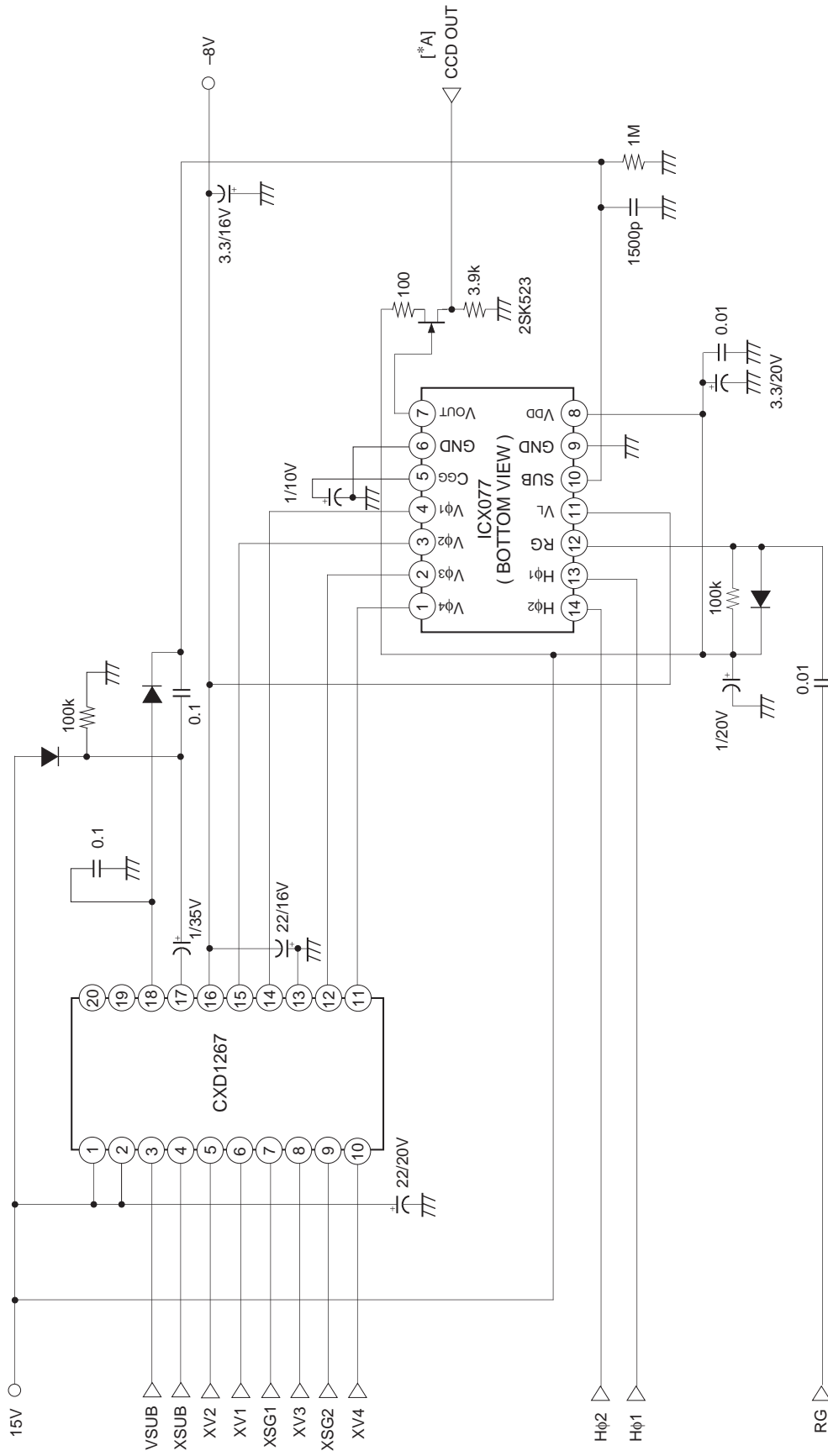
7. Lag

Adjust the signal output value generated by strobe light to 200mV. After setting the strobe light so that it strobes with the following timing, measure the residual signal (Vlag). Substitute the value into the following formula.

$$\text{Lag} = (V_{lag}/200) \times 100 \text{ [%]}$$

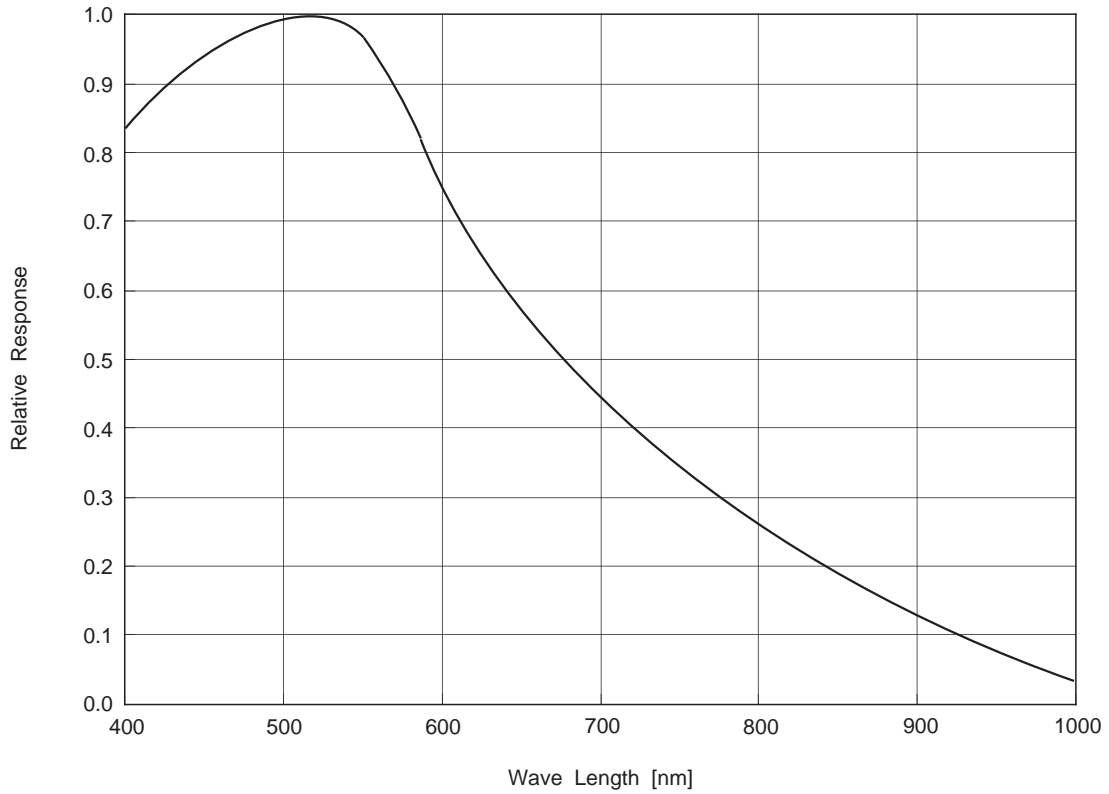


Drive Circuit

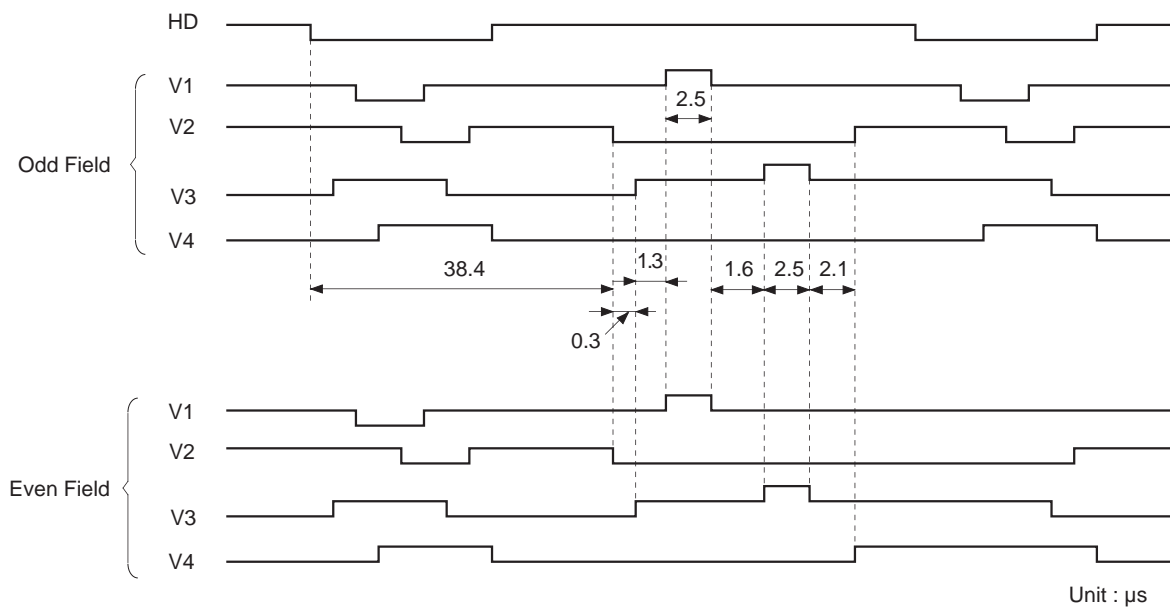


Spectral Sensitivity Characteristics

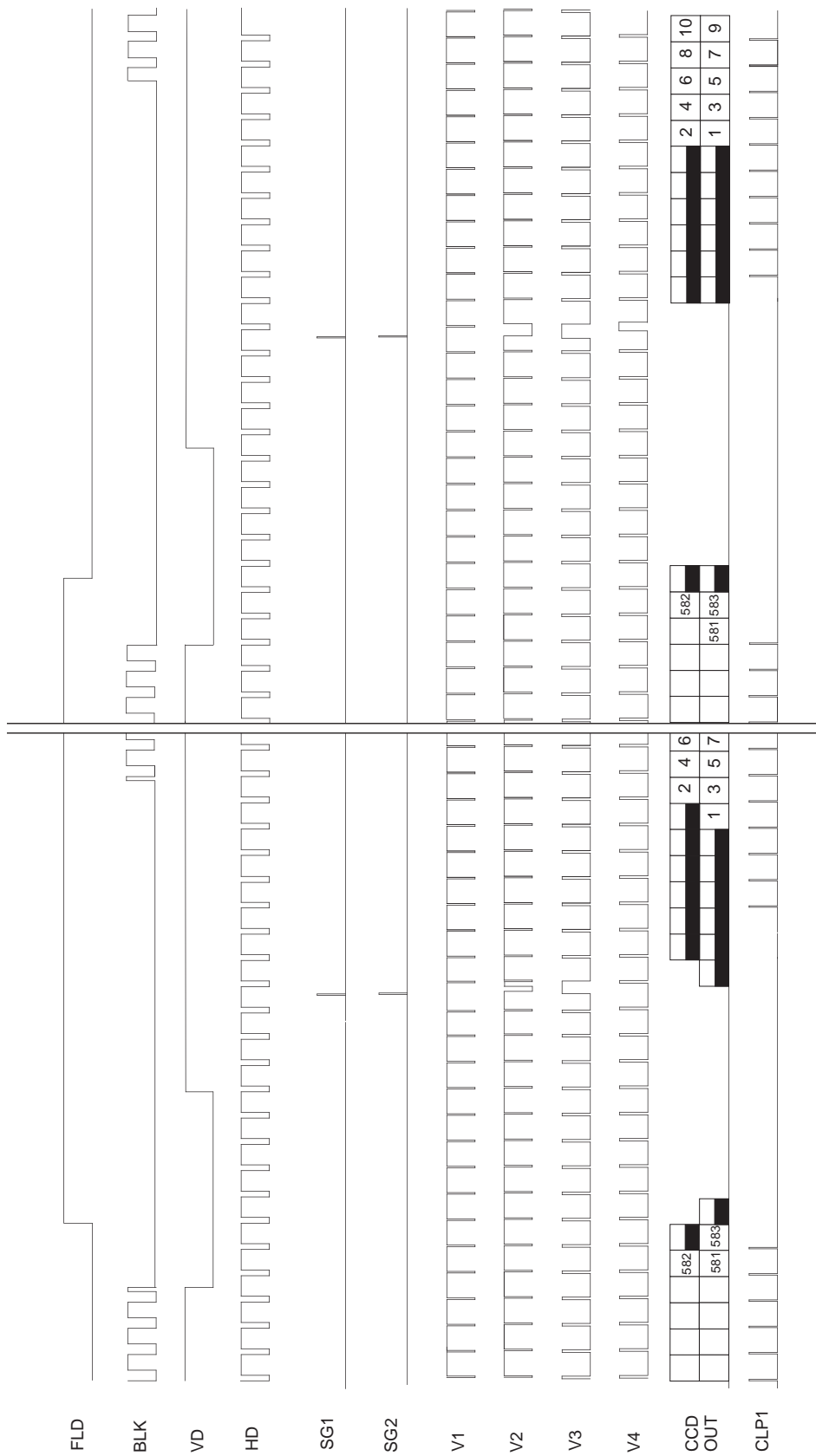
(includes lens characteristics, excludes light source characteristics)



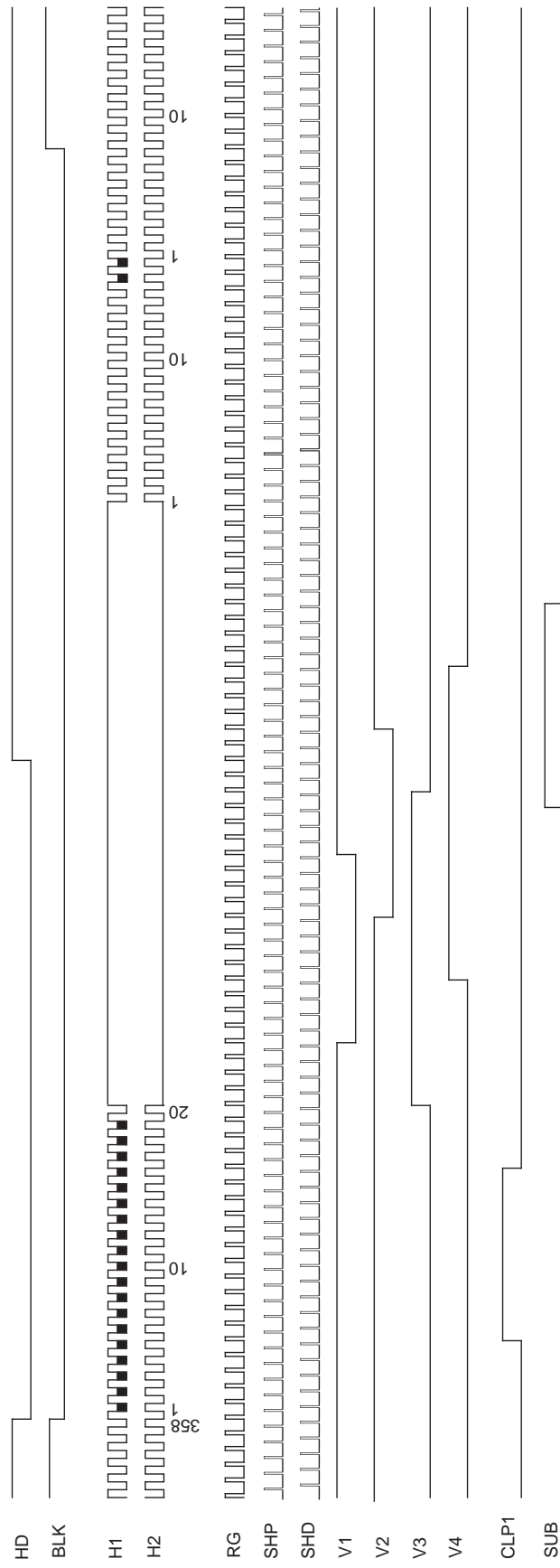
Sensor Readout Clock Timing Chart



Drive Timing Chart (Vertical Sync)



Drive Timing Chart (Horizontal Sync)



Notes on Handling

1) Static charge prevention

CCD image sensors are easily damaged by static discharge. Before handling be sure to take the following protective measures.

a) Either handle bare handed or use non-chargeable gloves, clothes or material.

Also use conductive shoes.

b) When handling directly use an earth band.

c) Install a conductive mat on the floor or working table to prevent the generation of static electricity.

d) Ionized air is recommended for discharge when handling CCD image sensor.

e) For the shipment of mounted substrates, use boxes treated for the prevention of static charges.

2) Soldering

a) Make sure the package temperature does not exceed 80°C.

b) Solder dipping in a mounting furnace causes damage to the glass and other defects. Use a ground 30W soldering iron and solder each pin in less than 2 seconds. For repairs and remount, cool sufficiently.

c) To dismount an image sensor, do not use a solder suction equipment. When using an electric desoldering tool, use a thermal controller of the zero cross On/Off type and connect it to ground.

3) Dust and dirt protection

Image sensors are packed and delivered by taking care of protecting its glass plates from harmful dust and dirt. Clean glass plates with the following operation as required, and use them.

a) Perform all assembly operations in a clean room (class 1000 or less).

b) Do not either touch glass plates by hand or have any object come in contact with glass surfaces. Should dirt stick to a glass surface, blow it off with an air blower. (For dirt stuck through static electricity ionized air is recommended.)

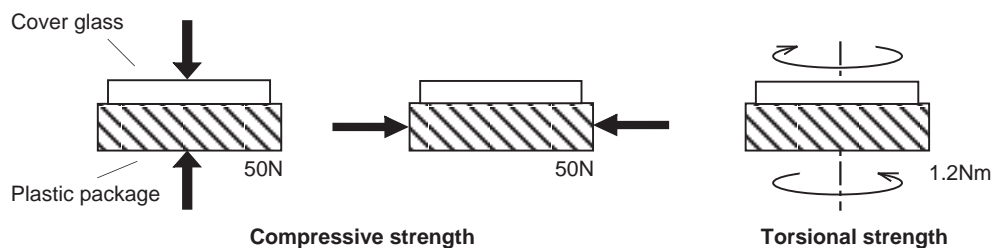
c) Clean with a cotton bud and ethyl alcohol if the grease stained. Be careful not to scratch the glass.

d) Keep in a case to protect from dust and dirt. To prevent dew condensation, preheat or precool when moving to a room with great temperature differences.

e) When a protective tape is applied before shipping, just before use remove the tape applied for electrostatic protection. Do not reuse the tape.

4) Installing (attaching)

a) Remain within the following limits when applying a static load to the package. Do not apply any load more than 0.7mm inside the outer perimeter of the glass portion, and do not apply any load or impact to limited portions. (This may cause cracks in the package.)

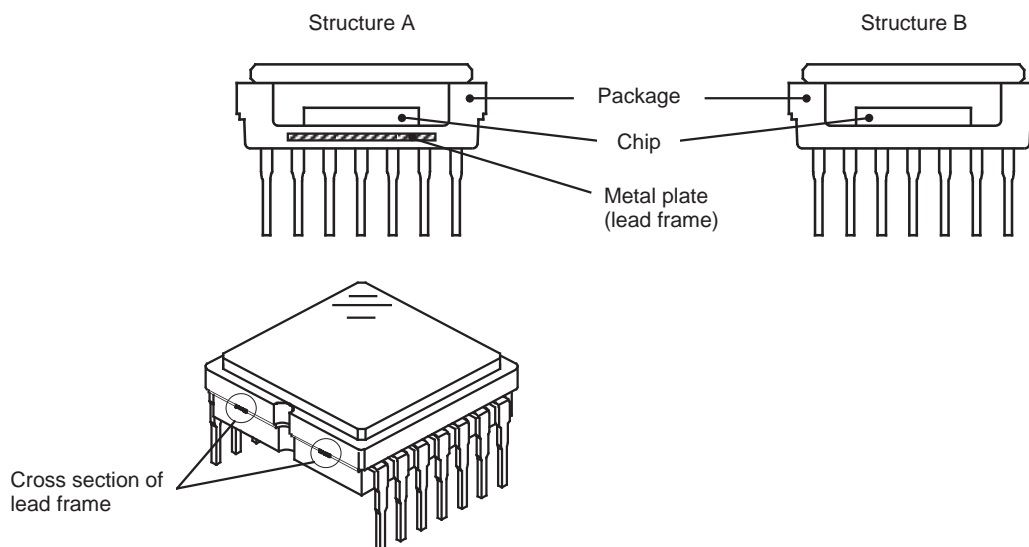


b) If a load is applied to the entire surface by a hard component, bending stress may be generated and the package may fracture, etc., depending on the flatness of the bottom of the package. Therefore, for installation, use either an elastic load, such as a spring plate, or an adhesive.

- c) The adhesive may cause the marking on the rear surface to disappear, especially in case the regulated voltage value is indicated on the rear surface. Therefore, the adhesive should not be applied to this area, and indicated values should be transferred to the other locations as a precaution.
- d) The notch of the package is used for directional index, and that can not be used for reference of fixing. In addition, the cover glass and seal resin may overlap with the notch of the package.
- e) If the lead bend repeatedly and the metal, etc., clash or rub against the package, the dust may be generated by the fragments of resin.
- f) Acrylate anaerobic adhesives are generally used to attach CCD image sensors. In addition, cyanoacrylate instantaneous adhesives are sometimes used jointly with acrylate anaerobic adhesives. (reference)

5) Others

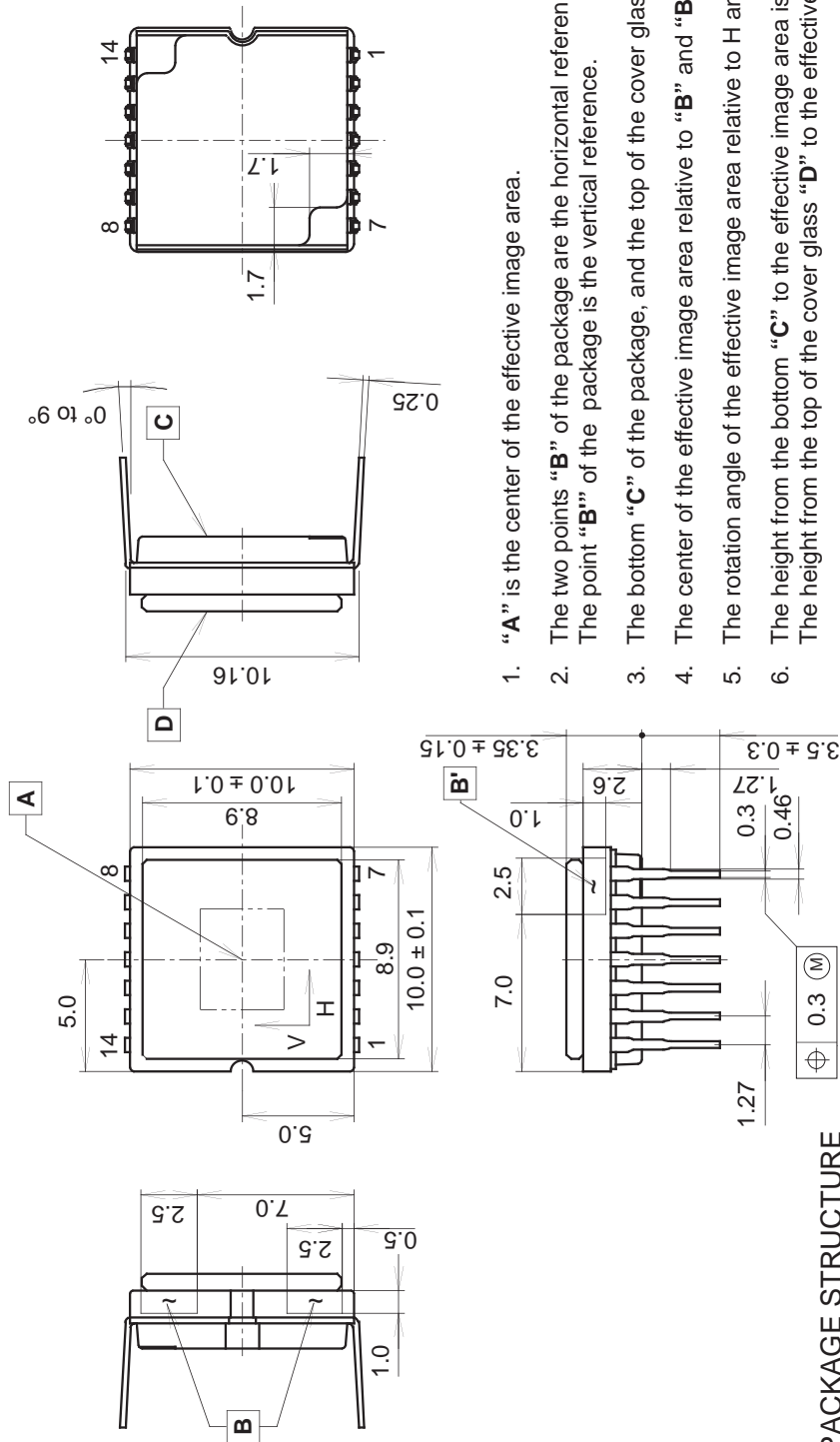
- a) Do not expose to strong light (sun rays) for long periods. For continuous using under cruel condition exceeding the normal using condition, consult our company.
- b) Exposure to high temperature or humidity will affect the characteristics. Accordingly avoid storage or usage in such conditions.
- c) The brown stain may be seen on the bottom or side of the package. But this does not affect the CCD characteristics.
- d) This package has 2 kinds of internal structure. However, their package outline, optical size, and strength are the same.



The cross section of lead frame can be seen on the side of the package for structure A.

Package Outline Unit: mm

14 pin DIP (400mil)



1. "A" is the center of the effective image area.
2. The two points "B" of the package are the horizontal reference.
The point "B'" of the package is the vertical reference.
3. The bottom "C" of the package, and the top of the cover glass "D" are the height reference.
4. The center of the effective image area relative to "B" and "B'" is (H, V) = (5.0, 5.0) ± 0.15mm.
5. The rotation angle of the effective image area relative to H and V is ± 1°.
6. The height from the bottom "C" to the effective image area is 1.41 ± 0.10mm.
The height from the top of the cover glass "D" to the effective image area is 1.94 ± 0.15mm.
7. The tilt of the effective image area relative to the bottom "C" is less than 40µm.
The tilt of the effective image area relative to the top "D" of the cover glass is less than 40µm.
8. The thickness of the cover glass is 0.75mm, and the refractive index is 1.5.
9. The notch of the package is used only for directional index, that must not be used for reference of fixing.

PACKAGE STRUCTURE

| | |
|------------------|--------------|
| PACKAGE MATERIAL | Plastic |
| LEAD TREATMENT | GOLD PLATING |
| LEAD MATERIAL | 42 ALLOY |
| PACKAGE WEIGHT | 0.6g |