

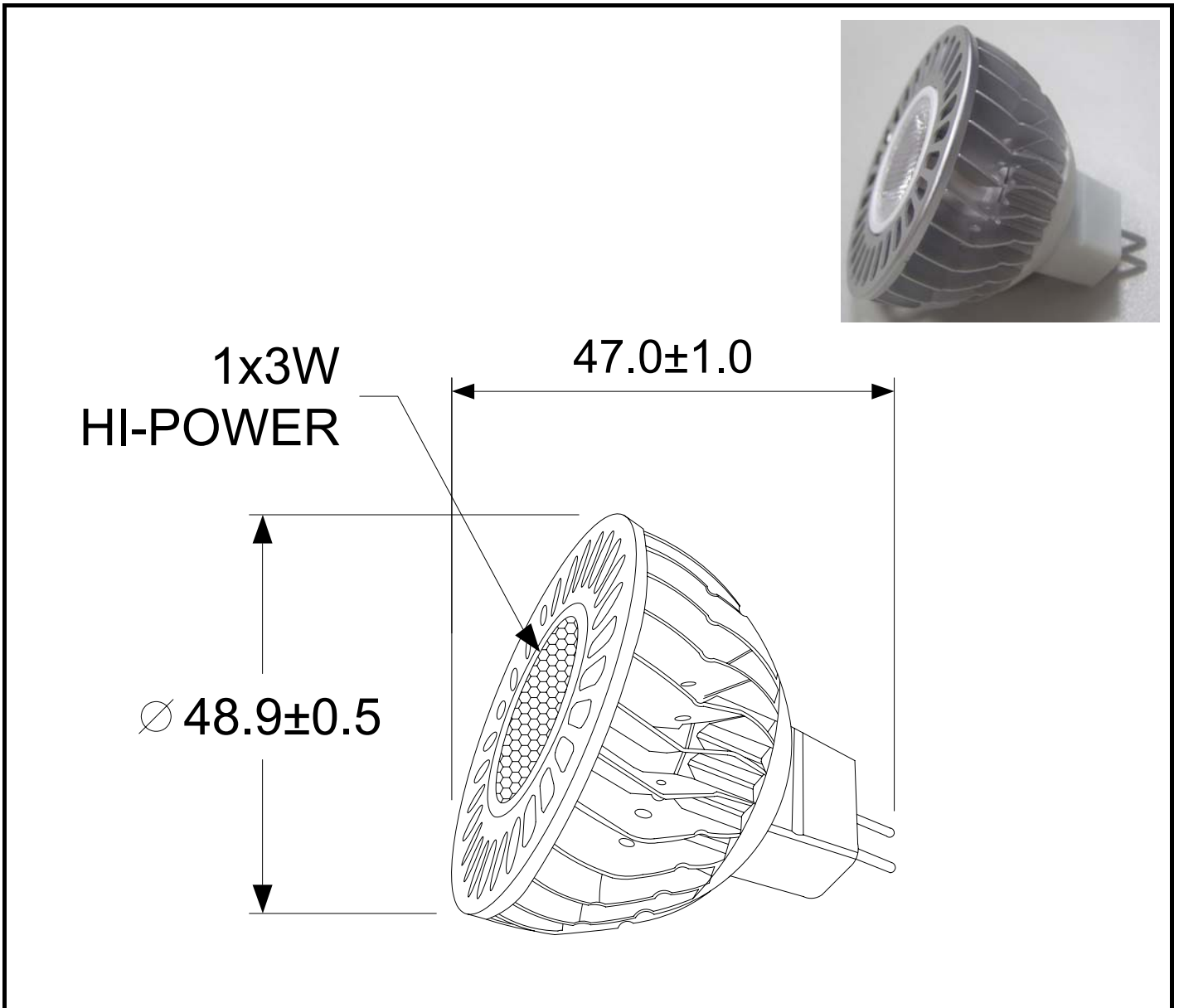
Part No. **AB-153W6A-12V0-M00**

Diff No.

Ø48.9x47.0mm

LED BULB

Type : BULB

■ Product Photo:**■ Features:**

- LED power : 3 W.
- Dimension : Ø48.9 × 47.0mm.
- Emitted color : White.
- Chip material : InGaN.
- High luminance, Lower power consumption.
- Base model MR16.
- Optional plastic light cover : Water clear dot.
- Long life LED span to 50,000 hours.

Part No. **AB-153W6A-12V0-M00**

Diff No.

Ø48.9x47.0mm

LED BULB

Type : BULB

■ **Specification:**

Parameter	Symbol	Rating	Unit
Input Voltage	V_{IN}	AC/DC 12	V
Forward Current	I_F	230	mA
Emitting degree	$2\theta_{1/2}$	30	Deg.
Luminous Flux	Flux	250	Lm
Color Temperature	CCT	6000	K
Power Dissipation	P_D	3	W
Operating Temperature Range	T_{opr}	-10 ~ 70	°C
Storage Temperature Range	T_{stg}	-40 ~ 105	°C
Weight	---	29.0	g