



ITM-1602DSTL

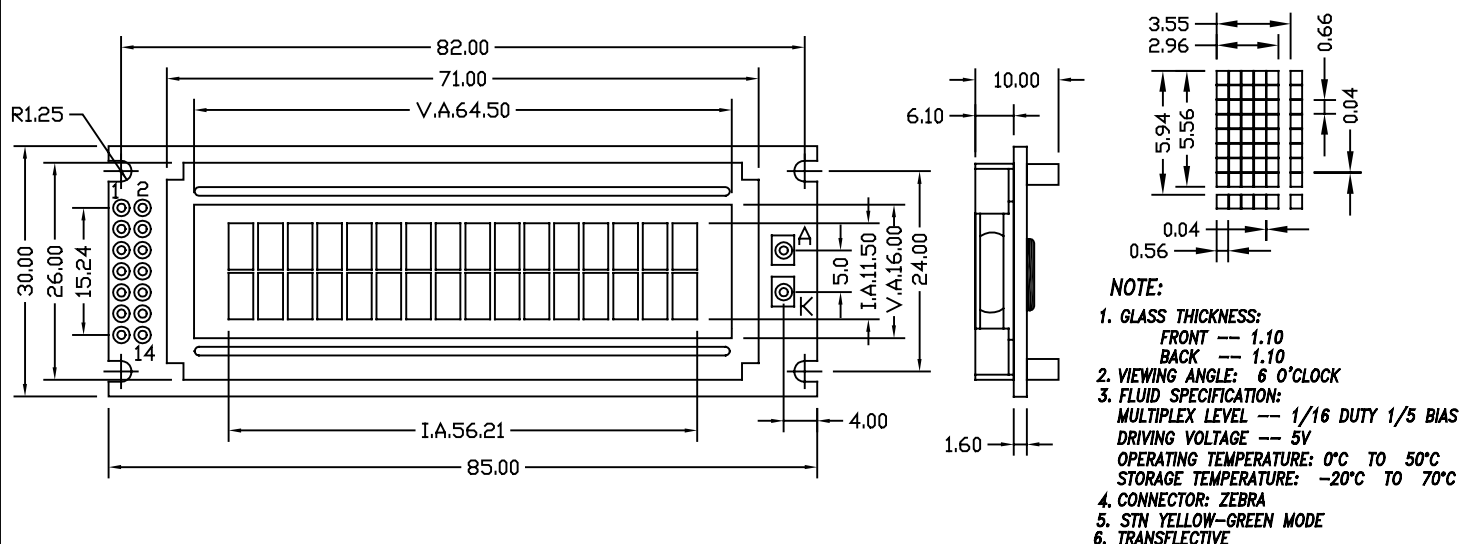
INTECH LCD (SHEN ZHEN) CO.,LTD

VER A0 FILE NO IT-III-ED-004

REV.NO 01 SHEET OF

DATE 24.FEB.2000

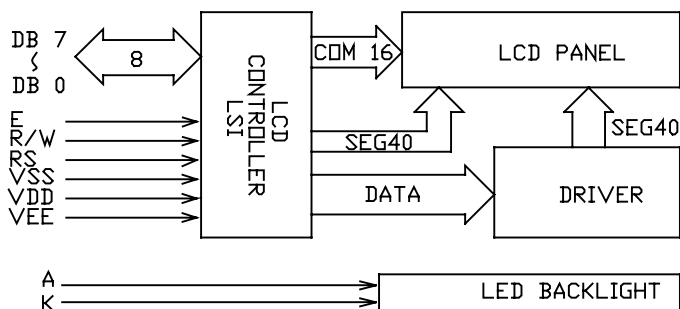
① EXTERNAL DIMENSION



② MECHANICAL DATA

ITEM	SPECIFICATION	UNIT
Module Size (W X H X T)	85.0 X 30.0 X 10.0	mm
Viewing Area (W X H)	64.5 X 16.0	mm
Internal Area (W X H)	56.21 X 11.50	mm
Dot Pitch (W X H)	0.60 X 0.70	mm
Dot Size (W X H)	0.56 X 0.66	mm
Character Pitch (WXH)	3.55 X 5.94	mm
Character Size (W X H)	2.96 X 5.56	mm
Number of Character	16 Character X 2 Line	Char

④ BLOCK DIAGRAM



③ PIN CONFIGURATION

ITEM	SYMBOL	LEVEL	DESCRIPTION
1	DB7	H/L	Data Bus
2	DB6	H/L	
3	DB5	H/L	
4	DB4	H/L	
5	DB3	H/L	
6	DB2	H/L	
7	DB1	H/L	
8	DB0	H/L	
9	E	H/L	Read/Write Enable
10	R/W	H/L	Read/Write Select
11	RS	H/L	Register Select
12	VEE	L	Voltage For LCD PANEL Drive
13	VSS	L	Power GND
14	VDD	H	Power Positive

⑤ ABSOLUTE MAXIMUM RATINGS(25°C)

PARAMETER	SYMBOL	MIN.	MAX.	UNIT
Supply Voltage Logic	V _{DD}	-0.3	+7.0	V
Supply Voltage Driver	V _{LCD}	V _{DD} -15.0	V _{DD} +0.3	V
Input Voltage	V _{IN}	-0.3	V _{DD} +0.3	V