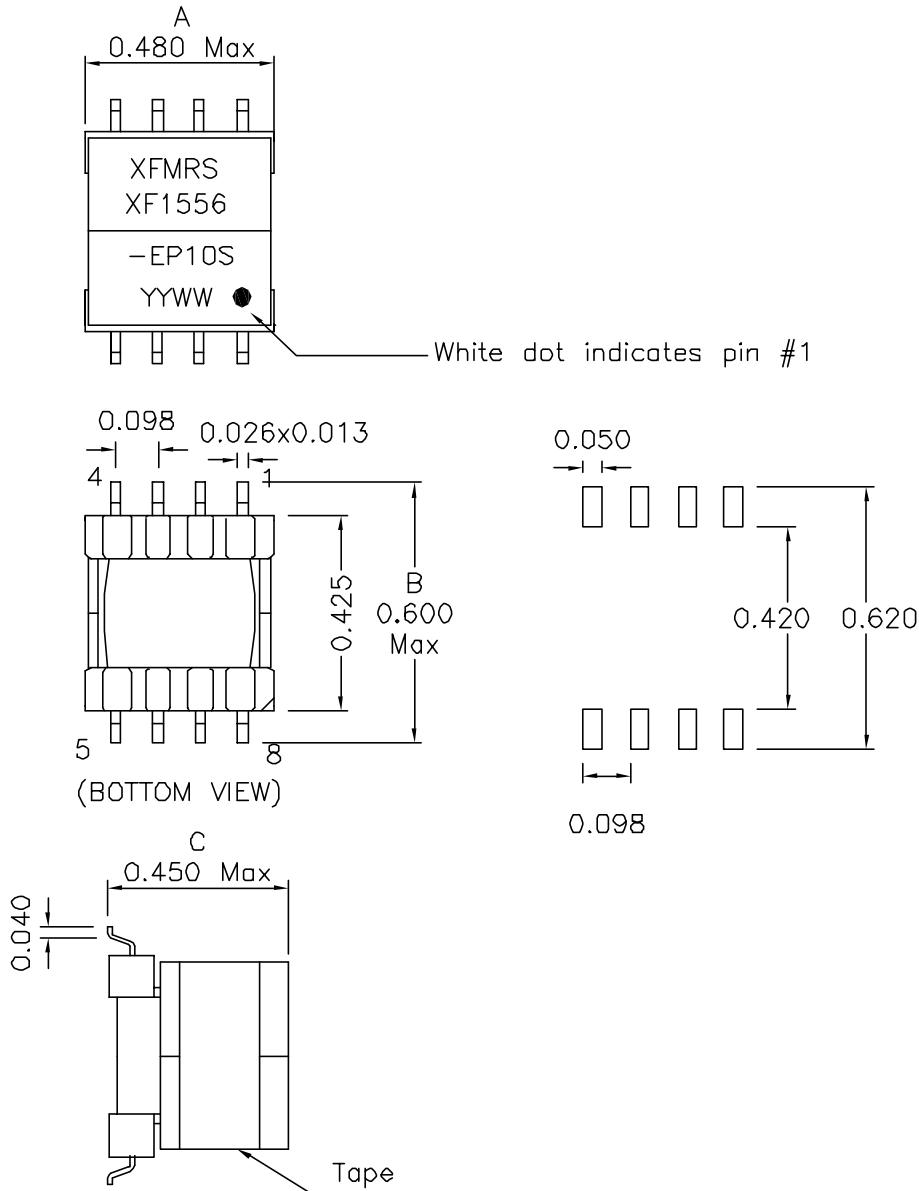
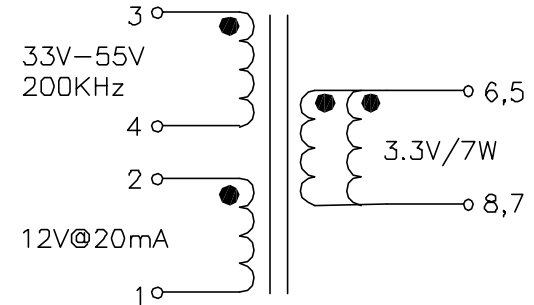


## 1. Mechanical Dimensions:



## 2. Schematic:



## 3. Electrical Specifications: @25°C

OCL: Pins 3-4 155uH±10% @10KHz 0.1V

LL: Pins 3-4 5uH Max @100KHz 0.1V,  
Short Pins 5-8

Q: Pins 3-4 14 Min @10KHz 0.1V

DCR: Pins 3-4 0.530 Ohms Max

DCR: Pins 2-1 0.900 Ohms Max

DCR: Pins 6,5-8,7 0.031 Ohms Max

TURNS RATIO: Pins (3-4):(2-1):(6,5-8,7)=  
1.000:0.682:0.182±5%

HIPOT: 1500Vac, PRI to SEC

### Notes:

- Solderability: Leads shall meet MIL-STD-202, Method 208D for solderability.
- Flammability: UL94V-0
- ASTM oxygen index: > 28%
- Insulation System: Class F 155°C. UL file E151556
- Operating Temperature Range: All listed parameters are to be within tolerance from -40°C to +85°C
- Storage Temperature Range: -55°C to +125°C
- Aqueous wash compatible
- SMD Lead Coplanarity: ±0.004"(0.102mm)
- Moisture Sensitivity: Level 3
- Electrical and mechanical specifications 100% tested
- RoHS Compliant Component

DOC REV: A/3

**PROPRIETARY** Document is the property of XFMR5 Group & is not allowed to be duplicated without authorization.

|  |                        |          |           |
|--|------------------------|----------|-----------|
| <b>XFMR5 Inc</b><br>www.XFMR5.com  | Title: POE TRANSFORMER |          |           |
| UNLESS OTHERWISE SPECIFIED<br>TOLERANCES:<br>.xxx ±0.010<br>Dimensions in INCH | P/N: XF1556-EP10S      | REV. A   |           |
|  | DWN.                   | 李小锋      | Jun-24-05 |
| SCALE 2.5:1 SHT 1 OF 1   | CHK.                   | 廖玉坤      | Jun-24-05 |
|  | APP.                   | Isaiah M | Jun-24-05 |