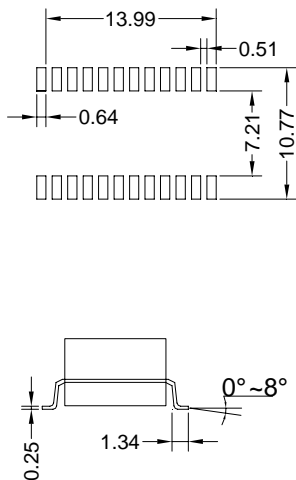
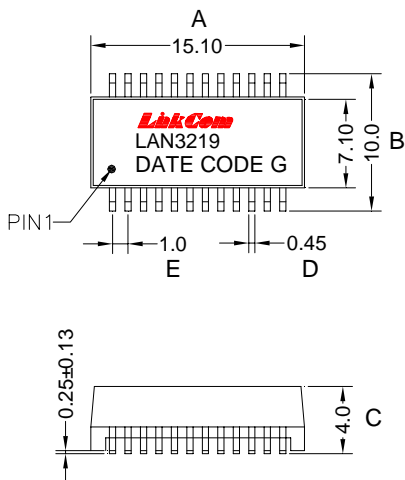


10/100/1000BASE-Tx Magnetics Module

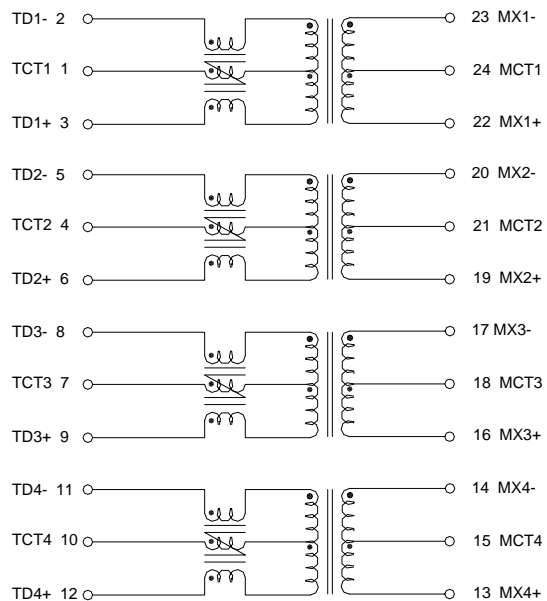
- Meets IEEE 802.3 standard
- RoHS Compliant
- Single port configuration
- Design for 100base-Tx transmission over UTP-5 cable
- Operating Temperature: 0 ~70

Electrical Specification @25					
OCL:	350uH Min. @100KHz/0.1V with 8mA DC Bias				
Hi-POT :	1500Vrms.				
Turn Ratio:	1CT:1CT±3%				
D.C.R:	2.0ohm Max.				
Insertion Loss:	1-100MHz -1.15dB Max.				
Return Loss:	30MHz	40MHz	50MHz	60MHz	80MHz
	-16dB Min.	-14dB Min.	-13.5dB Min.	-13dB Min.	-12dB Min.
D.C.M.R :	30MHz		60MHz		100MHz
	-40dB Min.		-30dB Min.		-25dB Min.
Cross Talk :	0.3-60MHz			60-100MHz	
	-45dB Min.			-35dB Min.	

Dimensions



Schematic



Units: mm
Unless otherwise specified, all tolerances are ±0.25