

CERAMIC CHIP SMD

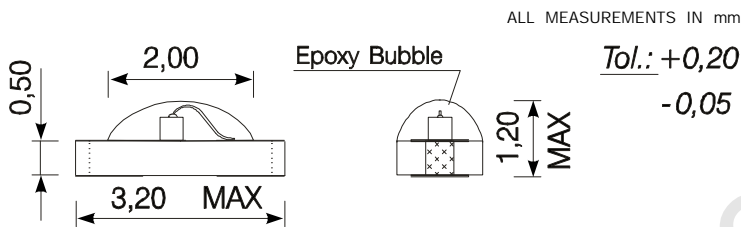
SMD - 180° ANGLE
HIGH POWER OUTPUT

CR 10 A/CR 12 A

amber

MADE IN GERMANY

2/94

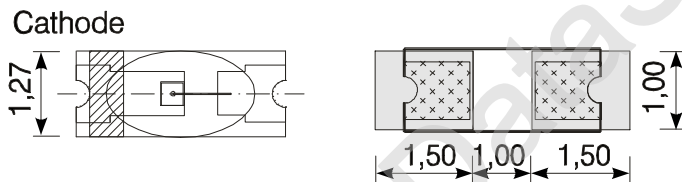


Features

- SolidStateCeramicChip
- SurfaceMountingDevice
- High power and thermal absorbtion
- Superior light uniformity over 180°
- End-to-end and side-to-side stackable down to a pitch of 1,3mm
- Solderpads confirm to Mil-Std883B

Description

The solderpads 2x1mm² provide an excellent heat sink. For multi-colour displays just choose 2 or more CERLEDs and mount them side by side or even antiparallel. Ideal for back-light applications. Small true chip-LED to build custom configurations. Available on special order in 8mmblister tape or solid strips of up to 12 pcs with a true pitch of 1,27 mm. The CR 10 A has a clear amber coloured epoxy lens. The CR 12 A has a diffused amber coloured epoxy lens.



MAXIMUM RATINGS AT 25° C

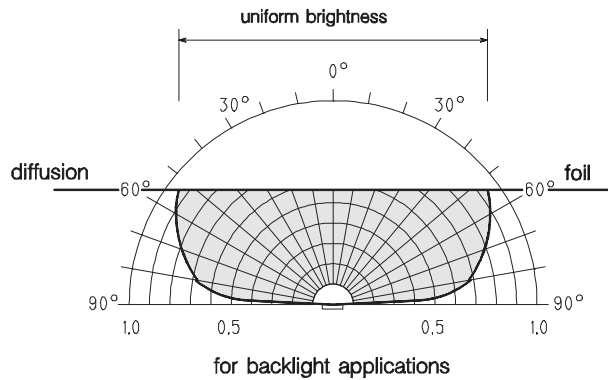
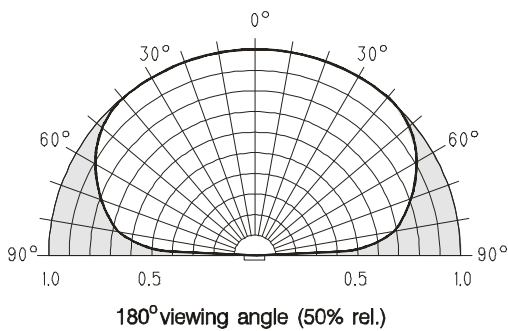
Power dissipation	P_{tot}	130mW
Derating linear		2,4mW/°C
Peak forward current	$I_{FSM}(10\mu s)$	800mA
Continuous forward current	I_F	75mA
Junction temperature	T_j	120°C
Storage temperature	T_{st}	-25 to 120°C
Operating temperature	T_{op}	-25 to 80°C
Soldering temperature	$T_{sold}(10sec)$	250°C

OPTICAL AND ELECTRICAL CHARACTERISTICS

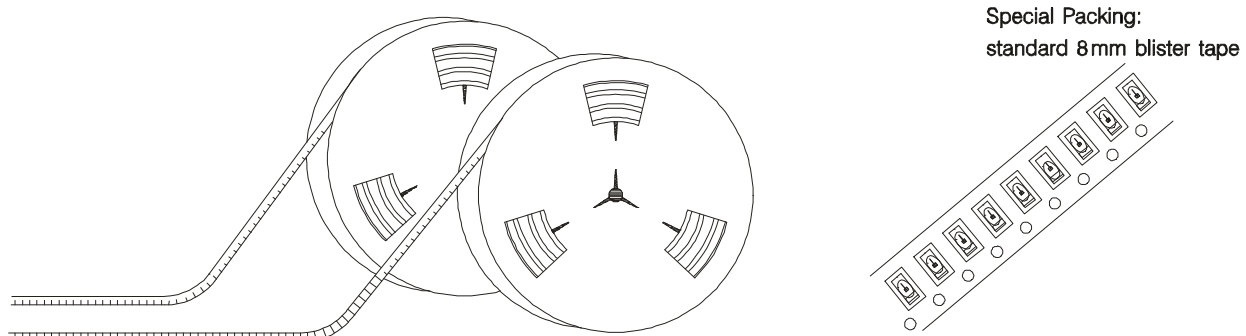
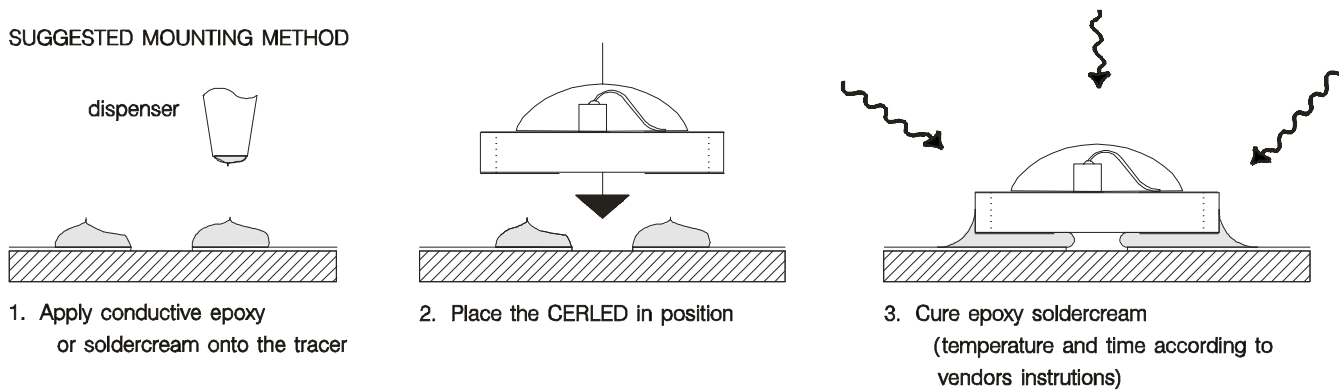
$I_F = 20mA$, ambient temperature = 25° C

	min.	typ.	max.	
Luminous intensity	1,8	5,3		mcd
Peak emission wave length		615		nm
Spectral half band width		40		nm
Forward voltage		2,2	2,4	V
Reverse leakage			100	µA
Reverse voltage	5	100		V
Light emission angle		180°		Degree

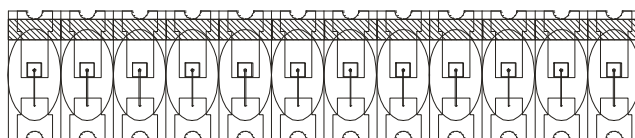
SPECIALITY: spezial for application in night-light conditions



SUGGESTED MOUNTING METHOD



ARRAYS



code to order strips:
CR10 XX -__10
No of LEDs

Available in strips up to 12 CERLEDs with a max. pitch tolerance in spacing and linearity of $\pm 0,01$ mm between chip centers.