

PLEASE CHECK WWW.MOLEX.COM FOR LATEST PART INFORMATION

Part Number: [0678007061](#)
Status: **Active**
Overview: [serial_ata_products](#)
Description: 1.27mm (.050") Pitch Serial ATA High Speed Header, Vertical, Through Hole, with Locking Latch, 7 Circuits, Gold (Au) Flash Plating, for 2.40mm (.094") PCB, Natural, Footprint B, with PCB Locator Tabs, Lead-free

Documents:

[3D Model](#) [Product Specification PS-67491-001 \(PDF\)](#)
[Drawing \(PDF\)](#) [RoHS Certificate of Compliance \(PDF\)](#)

Agency Certification

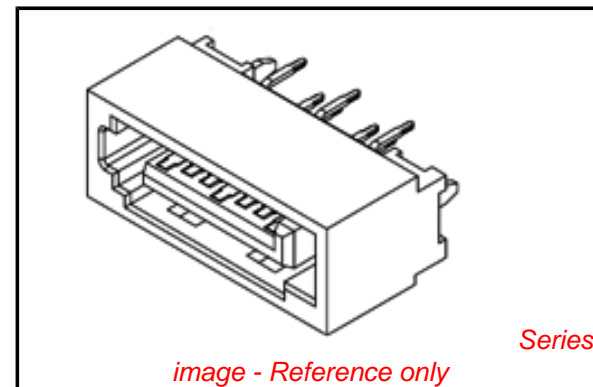
CSA LR 19980
 UL E29179

General

Product Family PCB Headers
 Series [67800](#)
 Application Board-to-Board, Wire-to-Board
 Comments Staggered Solder Pin|Footprint B
 Overview [serial_ata_products](#)
 Product Name Serial ATA

Physical

Breakaway No
 Circuits (Loaded) 7
 Circuits (maximum) 7
 Color - Resin Natural
 Durability (mating cycles max) 50
 First Mate / Last Break Yes
 Flammability 94V-0
 Glow-Wire Compliant No
 Guide to Mating Part No
 Keying to Mating Part Yes
 Lock to Mating Part Yes
 Material - Metal Brass
 Material - Plating Mating Gold
 Material - Plating Termination Tin
 Number of Rows 1
 Orientation Vertical
 PC Tail Length (in) 0.128 In
 PC Tail Length (mm) 3.25 mm
 PCB Locator Yes
 PCB Retention Yes
 PCB Thickness Recommended (in) 0.094 In
 PCB Thickness Recommended (mm) 2.40 mm
 Packaging Type Tray
 Pitch - Mating Interface (in) 0.050 In
 Pitch - Mating Interface (mm) 1.27 mm
 Pitch - Term. Interface (in) 0.050 In
 Pitch - Term. Interface (mm) 1.27 mm
 Polarized to Mating Part Yes
 Shrouded Fully
 Stackable No
 Surface Mount Compatible (SMC) No
 Temperature Range - Operating -35°C to +85°C



EU RoHS

**ELV and RoHS
 Compliant**
**REACH SVHC
 Not Reviewed**
**Halogen-Free
 Status
 Not Reviewed**

China RoHS



**Need more information on product
 environmental compliance?**

Email productcompliance@molex.com
 For a multiple part number RoHS Certificate of Compliance, [click here](#)

Please visit the [Contact Us](#) section for any non-product compliance questions.

Search Parts in this Series
[67800Series](#)

Termination Interface: Style

Through Hole

Electrical

Current - Maximum per Contact

1.5A

Voltage - Maximum

15V DC

Material Info

Reference - Drawing Numbers

Packaging Specification

PK-67800-001

Product Specification

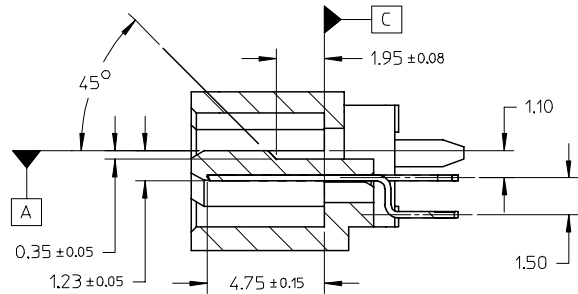
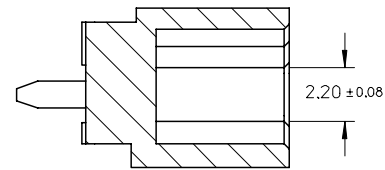
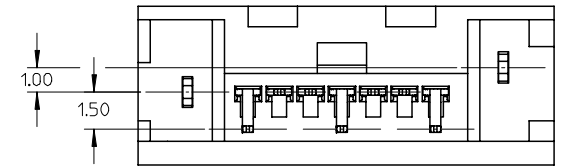
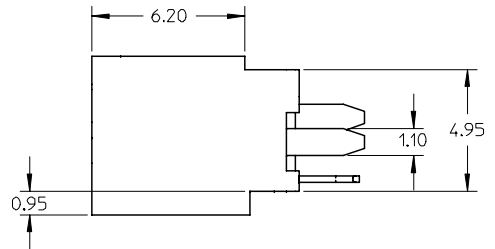
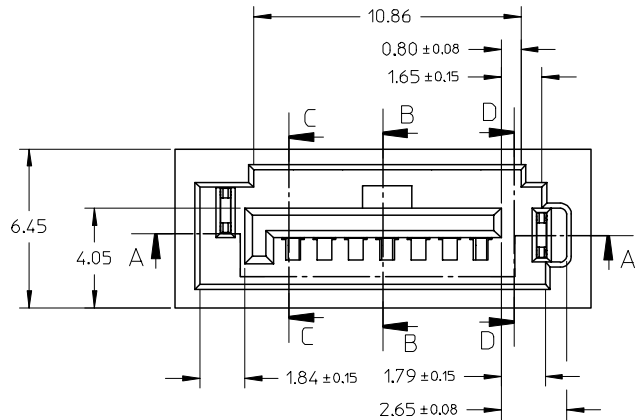
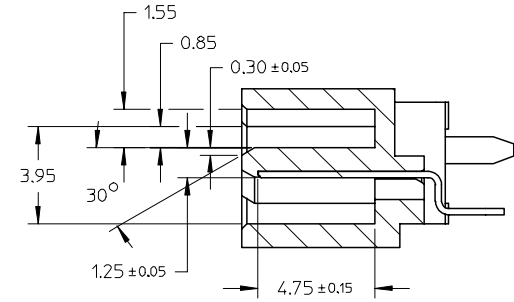
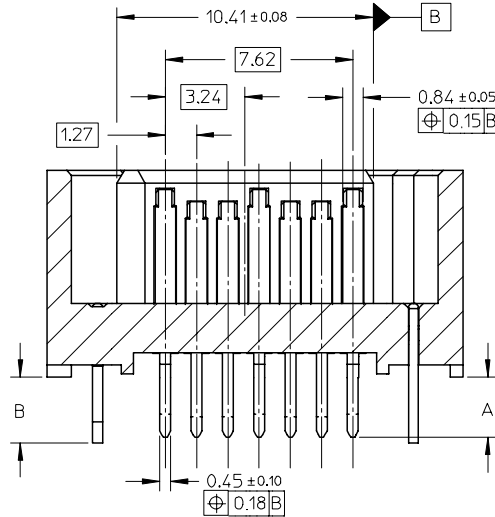
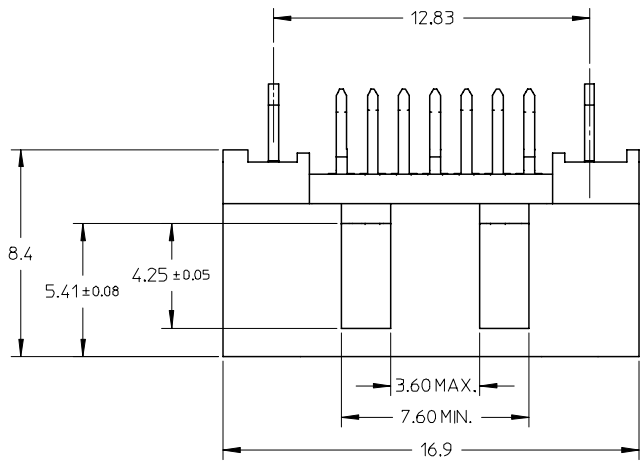
PS-67491-001

Sales Drawing

SD-67800-007

This document was generated on 05/26/2010

PLEASE CHECK WWW.MOLEX.COM FOR LATEST PART INFORMATION



SECTION B-B

SECTION D-D

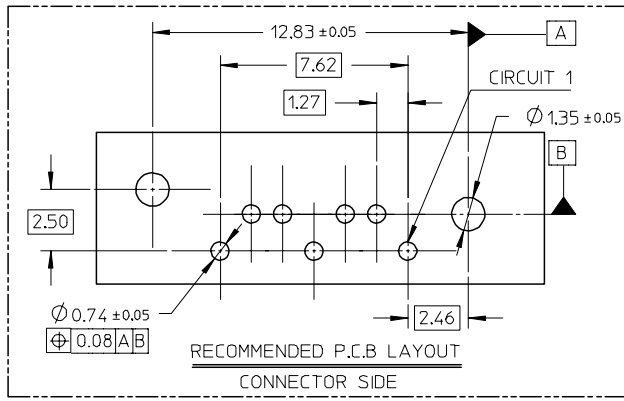
OBSOLETE PART EC NO: SH2006-0566 DRWN: BCHENZ6 2006/05/29 CHKD: GRATE MA 2006/05/29 APPR: JNCHEN 2006/05/30	QUALITY SYMBOLS $\nabla = 0$ $\triangle = 0$	GENERAL TOLERANCES (UNLESS SPECIFIED) <table border="1"> <thead> <tr> <th></th> <th>mm</th> <th>INCH</th> </tr> </thead> <tbody> <tr> <td>4 PLACES</td> <td>± ---</td> <td>± ---</td> </tr> <tr> <td>3 PLACES</td> <td>± ---</td> <td>± ---</td> </tr> <tr> <td>2 PLACES</td> <td>± 0.15</td> <td>± ---</td> </tr> <tr> <td>1 PLACE</td> <td>± 0.25</td> <td>± ---</td> </tr> </tbody> </table>		mm	INCH	4 PLACES	± ---	± ---	3 PLACES	± ---	± ---	2 PLACES	± 0.15	± ---	1 PLACE	± 0.25	± ---	DIMENSION STYLE MM ONLY	SCALE 5:1	DESIGN UNITS METRIC	THIRD ANGLE PROJECTION
		mm	INCH																		
	4 PLACES	± ---	± ---																		
	3 PLACES	± ---	± ---																		
2 PLACES	± 0.15	± ---																			
1 PLACE	± 0.25	± ---																			
DESCRIPTION GRATE MA	DRAWN BY GRATE MA	DATE 2004/02/02	TITLE HIGH SPEED CONNECTOR 1.27MM PITCH VERTICAL DIP SOLDER TAIL	MOLEX INCORPORATED																	
MATERIAL NO. SEE SHEET 2	APPROVED BY SAM	DATE 2004/02/02	DOCUMENT NO. SD-67800-007	SHEET NO. 1 OF 2																	
DRAFT WHERE APPLICABLE MUST REMAIN WITHIN DIMENSIONS																					

F

E

F

E



NOTES:

1. MATERIAL:
 - HOUSING/COLOR: SEE CHART, GLASS FILLED, UL94V-0
 - TERMINAL/PEG: BRASS
2. TERMINAL PLATING:
 - CONTACT AREA: (a) GOLD FLASH
 - (b) GOLD, THICKNESS=0.76 MICRON MINIMUM
 - (c) GOLD, THICKNESS=0.38 MICRON MINIMUM
3. PEG PLATING: TIN PLATED 1.27 MICRON MINIMUM OVER NICKEL PLATED 1.27 MICRON MINIMUM
4. PACKAGING: TRAY
5. PRODUCT SPECIFICATION REFER TO PS-67491-001
6. RECOMMENDED SOLDERING PROCESS: THERMAL PLASTIC FOR WAVE SOLDEING PROCESS
HIGH TEMPERATURE THERMAL PLASTIC FOR IR SOLDERING PROCESS



D

D

678007065	SEE NOTE2(c)							
678007062	SEE NOTE2(b)	3.25	3.45	2.40+/-0.05				
678007061	SEE NOTE2(a)							
678007055	SEE NOTE2(c)							
678007052	SEE NOTE2(b)	2.85	3.05	2.00+/-0.05	THERMAL PLASTIC	NATURE COLOR		
678007051	SEE NOTE2(a)							
678007045	SEE NOTE2(c)							
678007042	SEE NOTE2(b)	2.45	2.65	1.60+/-0.05				
678007041	SEE NOTE2(a)							
678007085	SEE NOTE2(c)							
678007082	SEE NOTE2(b)	3.25	3.45	2.40+/-0.05				
678007081	SEE NOTE2(a)							
678007075	SEE NOTE2(c)				THERMAL PLASTIC	PROCESS BLUE C ΔE<3	PURE TIN	
678007072	SEE NOTE2(b)	2.85	3.05	2.00+/-0.05				
678007071	SEE NOTE2(a)							
678007035	SEE NOTE2(c)							
678007032	SEE NOTE2(b)	2.45	2.65	1.60+/-0.05				
678007031	SEE NOTE2(a)							
678007025	SEE NOTE2(c)							
678007022	SEE NOTE2(b)	3.25	3.45	2.40+/-0.05				
678007021	SEE NOTE2(a)							
678007015	SEE NOTE2(c)							
678007012	SEE NOTE2(b)	2.85	3.05	2.00+/-0.05	THERMAL PLASTIC	BLACK		
678007011	SEE NOTE2(a)							
678007005	SEE NOTE2(c)							
678007002	SEE NOTE2(b)	2.45	2.65	1.60+/-0.05				
678007001	SEE NOTE2(a)							
MATERIAL NUMBER	PLATING TYPE	DIM A	DIM B	P.C.B THICKNESS	PLASTIC TYPE	PLASTIC COLOR	REMARK	

678007125	SEE NOTE2(c)							
678007122	SEE NOTE2(b)	3.25	3.45	2.40+/-0.05				
678007121	SEE NOTE2(a)							
678007115	SEE NOTE2(c)				THERMAL PLASTIC	HIGH TEMPERATURE BLACK	PURE TIN	
678007112	SEE NOTE2(b)	2.85	3.05	2.00+/-0.05				
678007111	SEE NOTE2(a)							
678007105	SEE NOTE2(c)							
678007102	SEE NOTE2(b)	2.45	2.65	1.60+/-0.05				
678007101	SEE NOTE2(a)							
MATERIAL NUMBER	PLATING TYPE	DIM A	DIM B	P.C.B THICKNESS	PLASTIC TYPE	PLASTIC COLOR	REMARK	

OBSOLESCENCE PART
 EC NO: SH2006-0566
 DRWN: BCHENZ6 2006/05/29
 CHKD: GRATE MA 2006/05/29
 APPR: JNCHEN 2006/05/30

QUALITY SYMBOLS
 ▽=0
 ▽=0

GENERAL TOLERANCES (UNLESS SPECIFIED)
 DIMENSION STYLE MM ONLY
 SCALE 5:1
 DESIGN UNITS METRIC
 THIRD ANGLE PROJECTION

DRAWN BY DATE
 GRATE MA 2004/02/02
 CHECKED BY DATE
 YA JUN 2004/02/02
 APPROVED BY DATE
 SAM 2004/02/02

TITLE
 HIGH SPEED CONNECTOR
 1.27MM PITCH VERTICAL
 DIP SOLDER TAIL
 MOLEX INCORPORATED
 MATERIAL NO. SEE CHART
 DOCUMENT NO. SD-67800-007
 SHEET NO. 2 OF 2

DRAFT WHERE APPLICABLE
 MUST REMAIN WITHIN DIMENSIONS

SIZE A3
 THIS DRAWING CONTAINS INFORMATION THAT IS PROPRIETARY TO MOLEX INCORPORATED AND SHOULD NOT BE USED WITHOUT WRITTEN PERMISSION