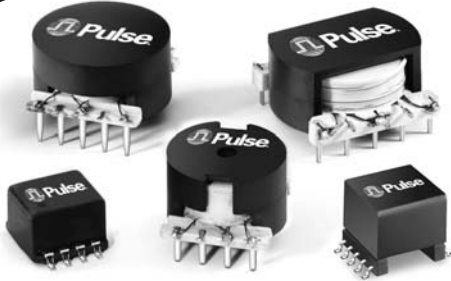


INDUCTORS AND COMMON MODE CHOKES

For Use in ADSL POTS Low Pass Filters



- Ⓛ Excellent longitudinal balance
- Ⓛ Inductors also available in surface mount packages
- Ⓛ Customized inductance values available
- Ⓛ Inductance is stable within $\pm 10\%$ with DC current from 0 to 100mA

Electrical Specifications @ 25°C — Operating Temperature -40°C to 85°C

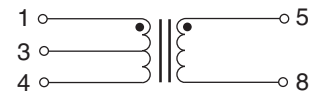
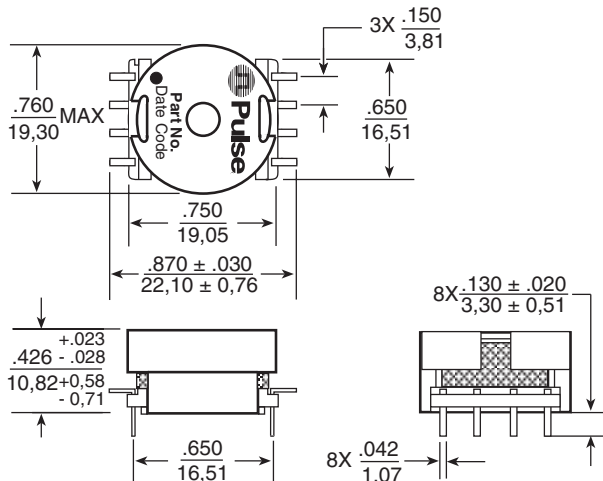
RoHS-5 Compliant Part No.	RoHS-6 Compliant Part No.	Inductance (each winding) (mH)	DC Resistance (each winding) (Ω MAX)	Isolation Voltage (between windings) (Vrms)	Function	Mounting
B2005	B2005NL	9.0 $\pm 30\%$ ¹	0.60	1500	Common Mode Choke	THT
B2013 ³	B2013NL ³	9.0 $\pm 30\%$ ¹	1.00	1500	Common Mode Choke	SMT
B2023	—	6.0 $\pm 5\%$ ²	4.00	1500	Coupled Inductor for POTS Low Pass Filter	THT
B2024	—	4.0 $\pm 5\%$ ²	3.00	1500	Coupled Inductor for POTS Low Pass Filter	THT
B2025	—	3.0 $\pm 5\%$ ²	2.50	1500	Coupled Inductor for POTS Low Pass Filter	THT
B2026	—	10.0 $\pm 5\%$ ²	4.50	1500	Coupled Inductor for POTS Low Pass Filter	THT
B2086 ³	B2086NL ³	4.0 $\pm 10\%$	3.60	1250	Coupled Inductor for POTS Low Pass Filter	SMT
B2113	—	2.25 $\pm 10\%$	2.25	500	Coupled Inductor for POTS Low Pass Filter	THT
B2114	—	1.425 $\pm 10\%$	2.25	500	Coupled Inductor for POTS Low Pass Filter	THT
B2116	—	1.65 $\pm 10\%$	2.25	500	Coupled Inductor for POTS Low Pass Filter	THT
B2117	—	1.35 $\pm 10\%$	2.25	500	Coupled Inductor for POTS Low Pass Filter	THT
B2118	—	0.8 $\pm 10\%$	2.00	500	Coupled Inductor for POTS Low Pass Filter	THT
B8098 ³	B8098NL ³	4.0 $\pm 10\%$	3.60	1250	Coupled Inductor for POTS Low Pass Filter	SMT

1. 100kHz, 20mVrms. 2. 1.0kHz, 1.0mVrms, 0 mA to 100 mA (each winding). 3. For Tape & Reel packaging, add the suffix "T" to this part number (B2013T or B2013NLT)
NOTE: The B2005 and B2013 are common mode chokes that reduce common mode voltages in the low frequency range that may be caused by telephone ringing signals or by interference from radio transmitters in the ADSL frequency range. The chokes are also designed to accommodate DC currents up to 100mA.

Mechanical

Schematic

B2024/B2025/B2113/B2114/B2116/B2117



Weight 9.5 grams
 Tray 30/tray
 Dimensions: $\frac{\text{Inches}}{\text{mm}}$
 Unless otherwise specified,
 all tolerances are $\pm \frac{.010}{0,25}$

INDUCTORS AND COMMON MODE CHOKES

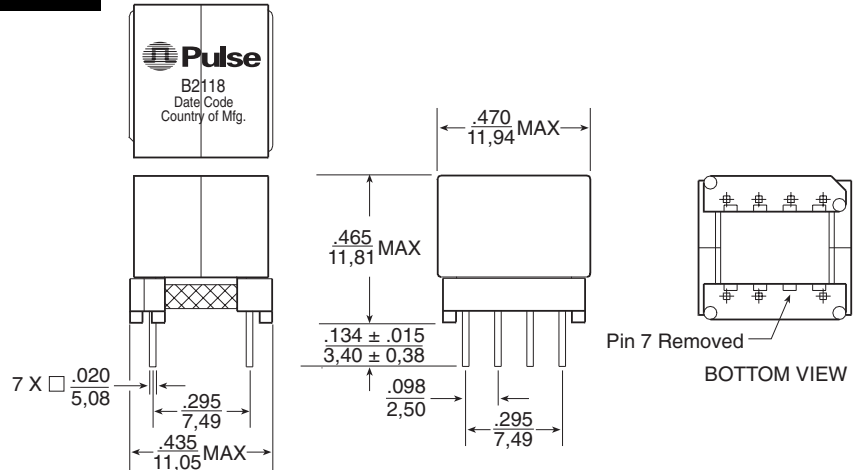
For Use in ADSL POTS Low Pass Filters



Mechanicals

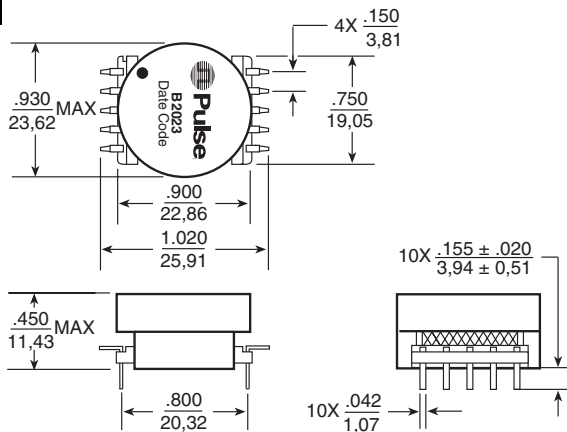
Schematics

B2118



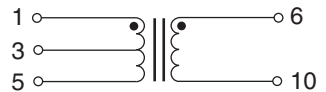
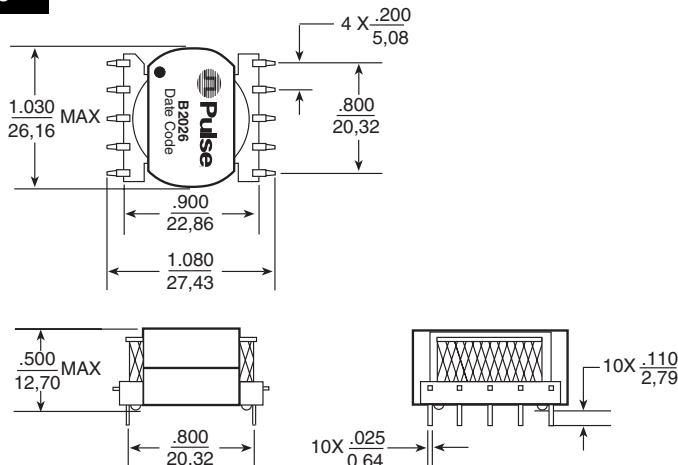
Weight3.6 grams
Tray75/tray
Dimensions: Inches
mm
Unless otherwise specified,
all tolerances are ± .010
0,25

B2023



Weight15.0 grams
Tray45/tray
Dimensions: Inches
mm
Unless otherwise specified,
all tolerances are ± .010
0,25

B2026



Weight17.5 grams
Tray25/tray
Dimensions: Inches
mm
Unless otherwise specified,
all tolerances are ± .010
0,25

INDUCTORS AND COMMON MODE CHOKES

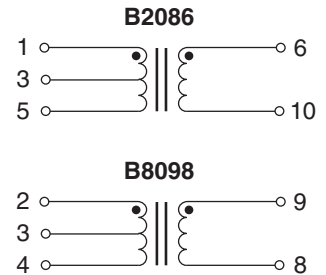
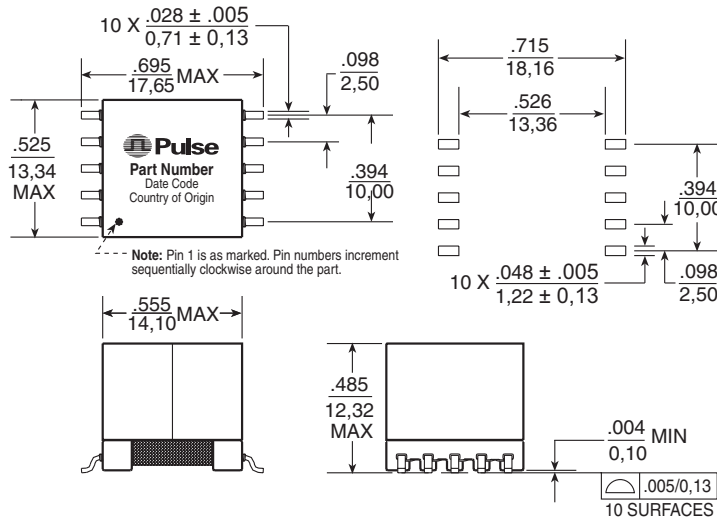
For Use in ADSL POTS Low Pass Filters



Mechanicals

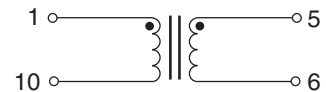
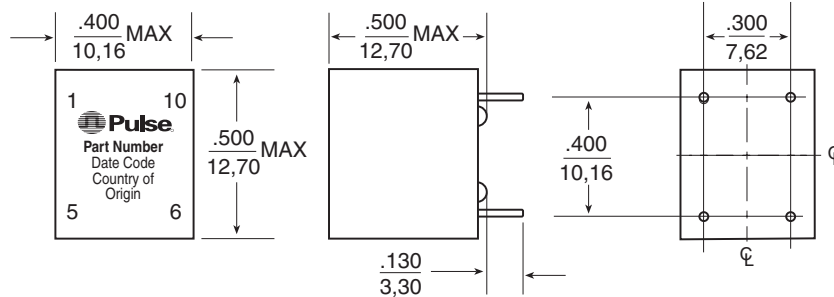
Schematics

B2086 / B2086NL / B8098 / B8098NL



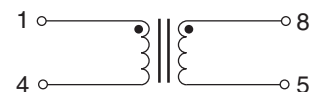
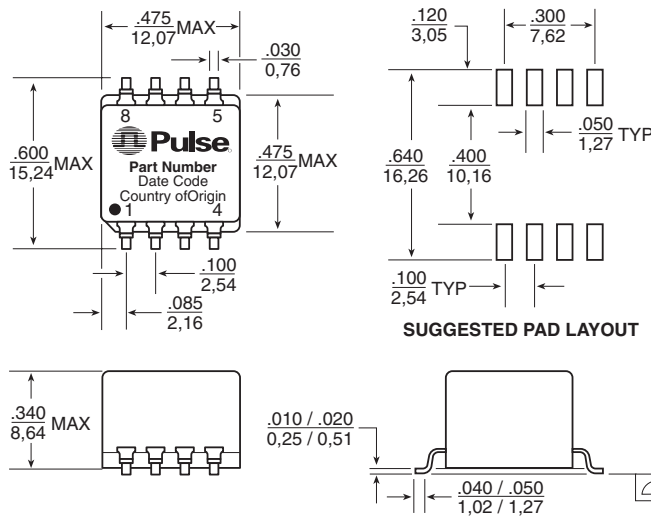
Weight 6.2 grams
Tape & Reel 150/reel
Tray60/tray
Dimensions: Inches
 mm
 Unless otherwise specified,
 all tolerances are ± .010
 0,25

B2005 / B2005NL



Weight 3.7 grams
Tube40/tube
Dimensions: Inches
 mm
 Unless otherwise specified,
 all tolerances are ± .010
 0,25

B2013 / B2013NL



Weight 2.5 grams
Tape & Reel250/reel
Tube40/tube
Dimensions: Inches
 mm
 Unless otherwise specified,
 all tolerances are ± .010
 0,25

INDUCTORS AND COMMON MODE CHOKES

For Use in ADSL POTS Low Pass Filters



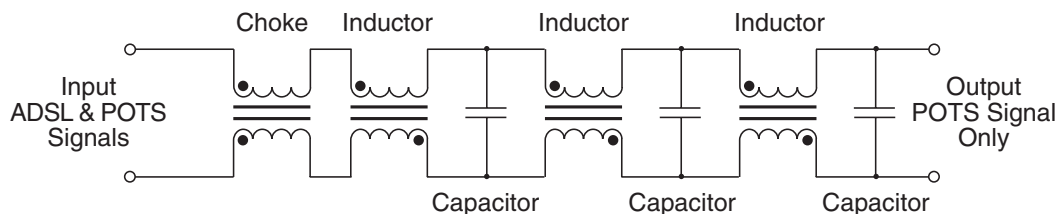
Performance Description

The series of coupled inductors shown on this data sheet are current and temperature, high self-resonant frequency, low ideal for use in Asymmetrical Digital Subscriber Line (ADSL) coupling capacitance, and excellent balance. applications where a low pass filter is required to separate the common mode chokes were developed to reduce common voice frequencies from the data frequencies that are carried on an mode voltages in the low frequency range that is used for voice ADSL line. In spite of their small footprint and low profile, these transmission. The chokes are also designed to accommodate DC coupled inductors provide excellent electrical currents up to 100 mA. performance. They have stable inductance with varying DC

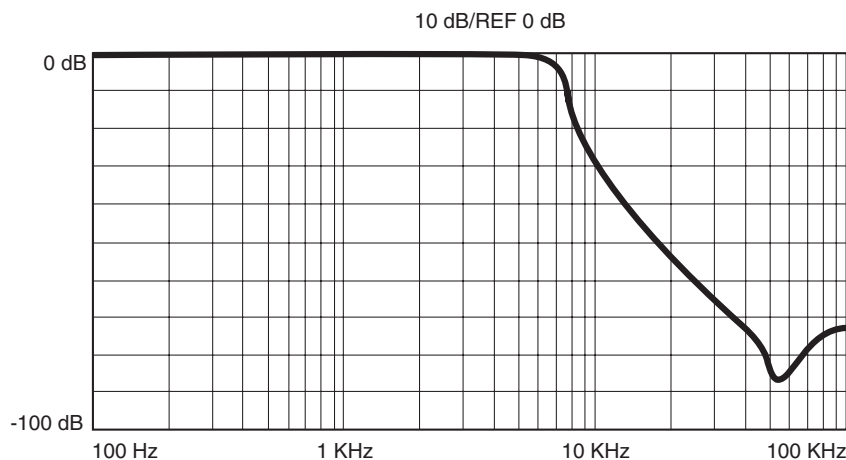
Application Circuit

The following schematic depicts a typical LC filter that incorporates the use of a common mode choke in addition to the LC network. As shown in the frequency response graph below, at low frequencies, the amplitude of the output signal is roughly equal to the amplitude of the input signal. At higher

frequencies the amplitude of the output decreases. Thus, the network passes low frequency voice signals with only a small degree of attenuation, while it suppresses high frequency signals and acts as a low pass filter.



Frequency Response



For More Information:

Pulse Worldwide Headquarters	Pulse Northern Europe	Pulse Southern Europe	Pulse China Headquarters	Pulse North China	Pulse South Asia	Pulse North Asia
12220 World Trade Drive San Diego, CA 92128 U.S.A. www.pulseeng.com TEL: 858 674 8100 FAX: 858 674 8262	3 Huxley Road Surrey Research Park Guildford, Surrey GU2 5RE United Kingdom TEL: 44 1483 401700 FAX: 44 1483 401701	Zone Industrielle F-39270 Orgelet France TEL: 33 3 84 35 04 04 FAX: 33 3 84 25 46 41	No. 1 Industrial District Changan, Dongguan China TEL: 86 769 85538070 FAX: 86 769 85538870	Room 1503 XinYin Building No. 888 YiShan Road Shanghai 200233 China TEL: 86 21 54643211/2 FAX: 86 21 54643210	150 Kampong Ampat #07-01/02 KA Centre Singapore 368324 TEL: 65 6287 8998 FAX: 65 6280 0080	No. 26 Kao Ching Road Yang Mei Chen Taoyuan Hsien Taiwan, R. O. C. TEL: 886 3 4641811 FAX: 886 3 4641911

Performance warranty of products offered on this data sheet is limited to the parameters specified. Data is subject to change without notice. Other brand and product names mentioned herein may be trademarks or registered trademarks of their respective owners.
© Copyright, 2006. Pulse Engineering, Inc. All rights reserved.