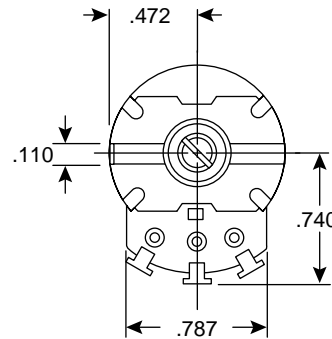
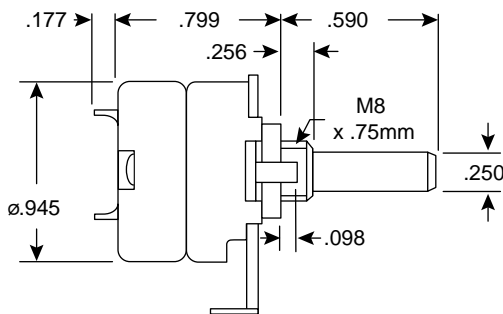


**Dimensions (In.)**  
(except where noted)



**Specifications:**

- Rotation angle:  $300^{\circ} \pm 5^{\circ}$
- Rotation torque: 50~350gcm
- Power rating: 0.25W
- Voltage rating: 250V
- Switch circuit: S.P.S.T.
- Switch rating: 125VAC, 1A
- Rotational life: 15,000 cycles

Mouser Stock No.	Value ( $\Omega$ )
31XP301	1K
31XP305	5K
31XP401	10K
31XP405	50K
31XP501	100K
31XP505	500K
31XP601	1Meg