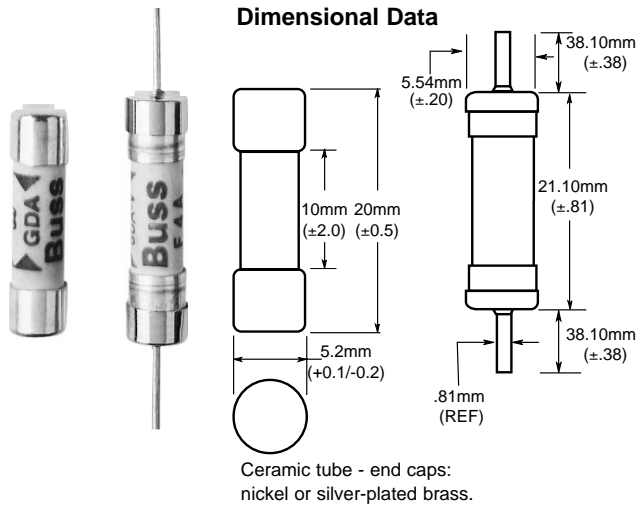


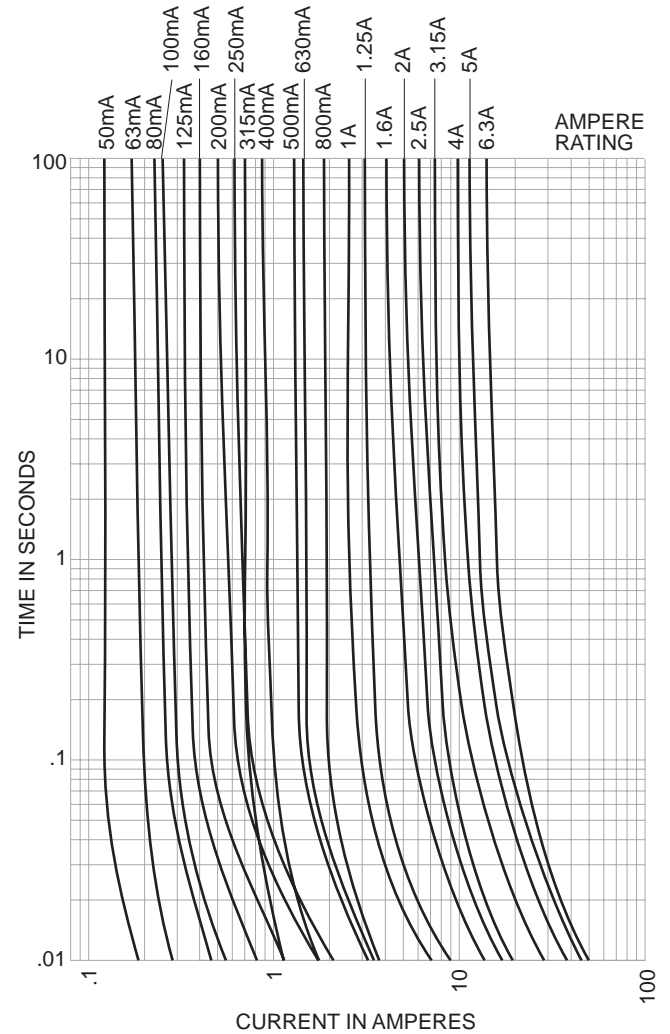
# 5 x 20mm Ferrule Fuses

## Fast Acting, High Breaking Capacity

GDA  
GDA-V



Time-Current Characteristic Curves—Average Melt



CATALOG SYMBOL: GDA  
 FAST ACTING  
 HIGH BREAKING CAPACITY  
 250 VOLTS AC OR LESS  
 UL RECOGNIZED:  
 (GUIDE #JDYX2, FILE #E75865)

**Limits for Pre-arcing Time**

| In           | 1.5 In  |         | 2.1 In |        | 2.75 In |         | 4 In   |     | 10 In |
|--------------|---------|---------|--------|--------|---------|---------|--------|-----|-------|
|              | MIN     | MAX     | MIN    | MAX    | MIN     | MAX     | MIN    | MAX | MAX   |
| 50mA - 3.15A | 60 min. | 30 min. | 10 ms. | 2 sec. | 3 ms.   | 300 ms. | 20 ms. |     |       |
| 4A - 10A     | 60 min. | 30 min. | 10 ms. | 3 sec. | 3 ms.   | 300 ms. | 20 ms. |     |       |

1.1 In: Δt ≤ 70°C, 125mA - 3A.

1.0 In: Δt ≤ 70°C, 4A.

**Packaging & Ordering Information:**

|                       |  |  |  |                      |
|-----------------------|--|--|--|----------------------|
| <b>Product Symbol</b> |  | <b>Lead</b>  |  | <b>Ampere Rating</b> |
| GDA<br>S501†          |  | <b>Package Code</b><br>Blank (None)<br>V Axial Leads<br>GDA only .032" x 1.5"<br>Copper Tinned |  |                      |

**Markings:** MFG mark, Rated Current, Rated Voltage, Characteristic Symbol, Breaking Capacity Symbol, Approvals where Applicable.

† S501 is a European designation. In North America use GDA respectively when referencing product, except 8 and 10A.

CE CE logo denotes compliance with European Union Low Voltage Directive (50-1000 VAC, 75-1500 VDC). Refer to BIF document #8002 or contact Bussmann Application Engineering at 314-527-1270 for more information.

# 5 x 20mm Ferrule Fuses

## Fast Acting, High Breaking Capacity

# GDA

## GDA-V

### Electrical Characteristics

| Current Rating (In) | Rated Voltage (V) | Breaking Capacity                                     | Voltage Drop (mV) max. | Power Dissipation (W) max. | Pre-arcing Value (I <sup>2</sup> t) (A <sup>2</sup> s) typ. | BSI | VDE | SEMKO | IMQ | UR |   |
|---------------------|-------------------|---|------------------------|----------------------------|---|-----|-----|-------|-----|----|---|
| 50mA                | 250               | 1500A<br>250V, 50Hz<br>cos $\phi$ $\approx$ 0.7 - 0.8 | 9000                   | 1.1                        | 0.0017  |     |     | •     |     | •  |   |
| 63mA                |                   |   | 3300                   | 0.36                       | 0.0005  |     |     |       |     |    |   |
| 80mA                |                   |   | 2600                   | 0.44                       | 0.0011  |     |     |       |     |    |   |
| 100mA               |                   |   | 2300                   | 0.52                       | 0.0018  |     |     |       |     |    |   |
| 125mA               |                   |   | 1900                   | 0.6                        | 0.0037  |     |     |       |     |    |   |
| 160mA               |                   |   | 1600                   | 0.64                       | 0.008   |     |     |       |     |    |   |
| 200mA               |                   |   | 1350                   | 0.75                       | 0.020   |     |     |       | •   |    |   |
| 250mA               |                   |   | 1300                   | 0.82                       | 0.027   |     |     |       |     |    |   |
| 315mA               |                   |   | 1400                   | 1.1                        | 0.010   |     |     |       |     |    |   |
| 400mA               |                   |   | 1200                   | 1.2                        | 0.018   |     |     |       |     | •  | • |
| 500mA               |                   |   | 1050                   | 1.3                        | 0.038   |     |     |       |     | •  | • |
| 630mA               |                   |   | 1200                   | 1.5                        | 0.064   |     |     |       |     | •  | • |
| 800mA               |                   |   | 490                    | 1.3                        | 0.097   |     |     |       |     | •  | • |
| 1A                  |                   |   | 230                    | 0.83                       | 0.480   |     |     |       |     | •  | • |
| 1.25A               |                   |   | 200                    | 0.83                       | 0.9   |     |     |       |     | •  | • |
| 1.6A                |                   |   | 180                    | 0.83                       | 1.9   |     |     |       |     | •  | • |
| 2A                  |                   |   | 205                    | 1.5                        | 2.0   |     |     |       |     | •  | • |
| 2.5A                |                   |   | 190                    | 1.6                        | 3.9   |     |     |       |     | •  | • |
| 3.15A               |                   |   | 160                    | 1.7                        | 8.1   |     |     |       |     | •  | • |
| 4A                  |                   |   | 160                    | 1.9                        | 14  |     |     |       | •   | •  | • |
| 5A                  | 155               | 2.5   | 25                     |                            |   |     |     | •     | •   |    |   |
| 6.3A                | 150               | 3.0   | 48                     |                            |   |     | •   | •     | •   |    |   |
| 8A* **              | 140               |   | 100                    |                            |   |     |     |       |     |    |   |
| 10A* **             | 140               |   | 160                    |                            |   |     |     |       |     |    |   |

\*IEC Standard 127, Sheet I does not include ratings above 6.3A.

\*\*Product is available only as S501 series.

The only controlled copy of this BIF document is the electronic read-only version located on the Bussmann Network Drive. All other copies of this BIF document are by definition uncontrolled. This bulletin is intended to clearly present comprehensive product data and provide technical information that will help the end user with design applications. Bussmann reserves the right, without notice, to change design or construction of any products and to discontinue or limit distribution of any products. Bussmann also reserves the right to change or update, without notice, any technical information contained in this bulletin. Once a product has been selected, it should be tested by the user in all possible applications.