

Fast Logic

Digital Delay Units

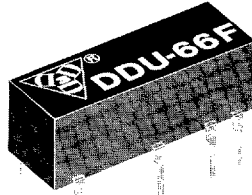
SERIES: DDU-66F

**TTL Interfaced, 5 Outputs
14 pins DIP & Surface Mount**



Features:

- Automatic insertable.
- Through-hole or surface mount leads.
- Low Cost.

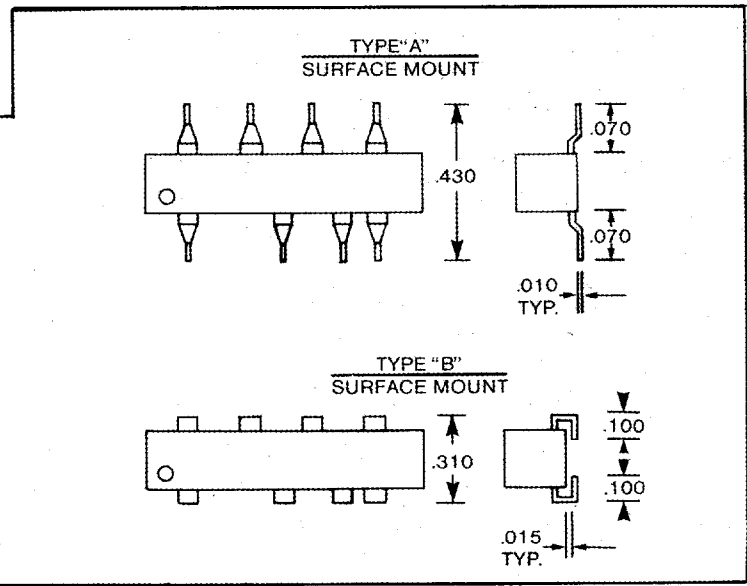
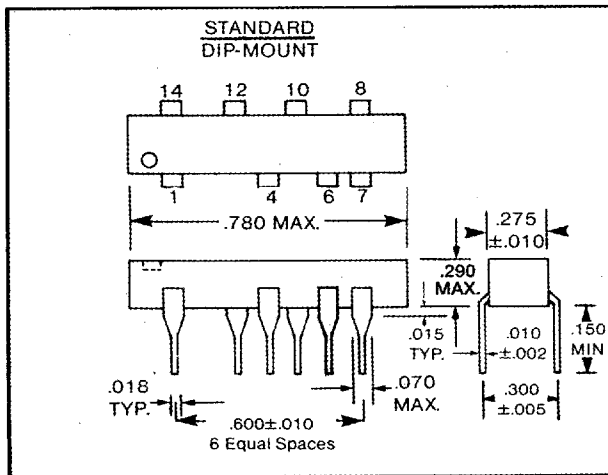
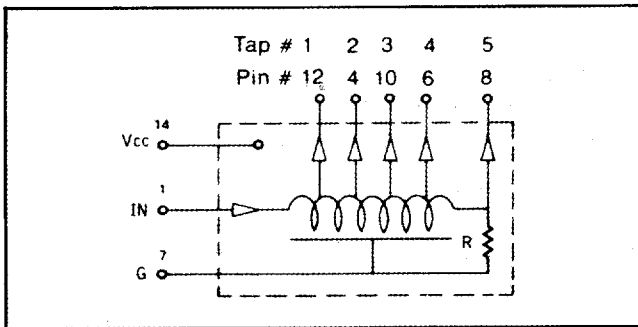


Specifications:

- Outputs: 5, equally spaced.
- Delay tolerance: see table.
- Rise-time: 2 ns typically.
- Minimum pulse width: 40% of total delay.
- Temperature range: 0° C to + 70° C.
- Temperature coefficient: 100 PPM/°C.
- Supply voltage: 4.75 to 5.25 Vdc.
- Leads: Alloy 42, tin plated.
- Supply current:
I_{ccL}: 32 ma.
I_{ccH}: 7 ma.
- DC parameters: See TTL-Fast Schottky Logic Table on Page 6.

DDU-66F (Standard)	DDU-66F (Type "A")	DDU-66F (Type "B")	Total Delay (ns)	Tap Delay (ns)
*DDU-66F-4	*DDU-66F-4A	*DDU-66F-4B	4 ± 1	1 ± 0.5
*DDU-66F-6	*DDU-66F-6A	*DDU-66F-6B	6 ± 1	1.5 ± 0.5
*DDU-66F-8	*DDU-66F-8A	*DDU-66F-8B	8 ± 2	2 ± 1
*DDU-66F-10	*DDU-66F-10A	*DDU-66F-10B	10 ± 2	2.5 ± 1
*DDU-66F-12	*DDU-66F-12A	*DDU-66F-12B	12 ± 2	3 ± 1
*DDU-66F-16	*DDU-66F-16A	*DDU-66F-16B	16 ± 2	4 ± 1.5
*DDU-66F-20	*DDU-66F-20A	*DDU-66F-20B	20 ± 3	5 ± 2
DDU-66F-25	DDU-66F-25A	DDU-66F-25B	25 ± 3	5 ± 2
DDU-66F-30	DDU-66F-30A	DDU-66F-30B	30 ± 3	6 ± 2
DDU-66F-35	DDU-66F-35A	DDU-66F-35B	35 ± 3	7 ± 2
DDU-66F-40	DDU-66F-40A	DDU-66F-40B	40 ± 3	8 ± 2
DDU-66F-45	DDU-66F-45A	DDU-66F-45B	45 ± 3	9 ± 3
DDU-66F-50	DDU-66F-50A	DDU-66F-50B	50 ± 3	10 ± 3
DDU-66F-60	DDU-66F-60A	DDU-66F-60B	60 ± 3	12 ± 3
DDU-66F-75	DDU-66F-75A	DDU-66F-75B	75 ± 4	15 ± 3
DDU-66F-100	DDU-66F-100A	DDU-66F-100B	100 ± 5	20 ± 3
DDU-66F-125	DDU-66F-125A	DDU-66F-125B	125 ± 6.5	25 ± 3
DDU-66F-150	DDU-66F-150A	DDU-66F-150B	150 ± 7.5	30 ± 3
DDU-66F-175	DDU-66F-175A	DDU-66F-175B	175 ± 8	35 ± 4
DDU-66F-200	DDU-66F-200A	DDU-66F-200B	200 ± 10	40 ± 4
DDU-66F-250	DDU-66F-250A	DDU-66F-250B	250 ± 12.5	50 ± 5

*Time delay measured with respect to 1st tap. 3.5 ns = 1 ns inherent delay.



3 Mt. Prospect Avenue, Clifton, New Jersey 07013 ■ (201) 773-2299 ■ FAX (201) 773-9672

■ 2644382 0001022 T63 ■ 23