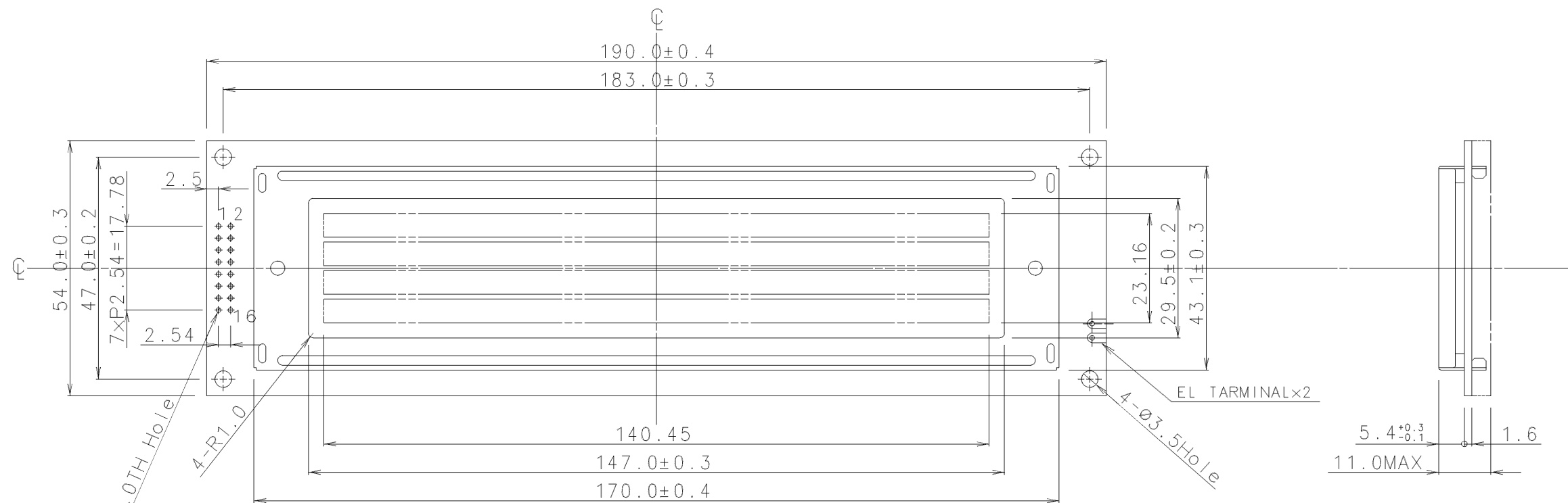
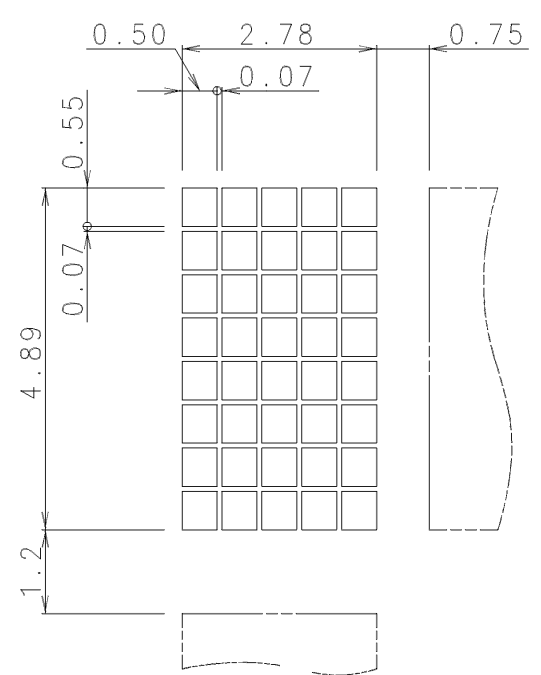
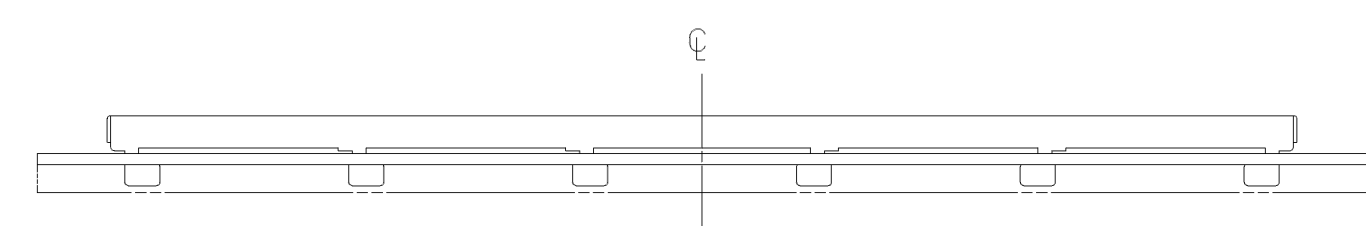




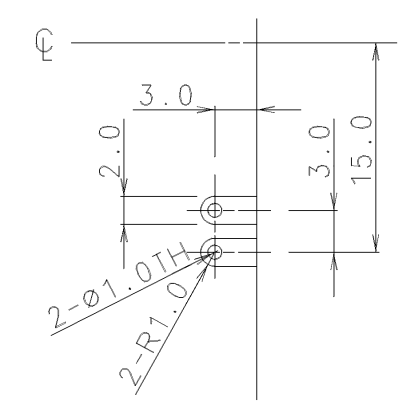
ISSUE	REVISIONS	DRAWN	APPROVED	DATE
△				



16-Ø1.0TH Hole



DOT DETAIL: SCALE 10/1



EL TERMINAL (2/1)  
Note 1: EL Type Only

Reflective  
or  
EL Back Light Type

No.	SIGNAL NAME	FUNCTION
1	D7	DATA BUS:
2	D6	DATA BUS:
3	D5	DATA BUS:
4	D4	DATA BUS:
5	D3	DATA BUS:
6	D2	DATA BUS:
7	D1	DATA BUS:
8	D0	DATA BUS:
9	E1	ENABLE CLOCK 1
10	R/W	H:READ L:WRITE
11	RS	REGISTER SELECT
12	VEE	LCD DRIVING VOLTAGE
13	Vss	0V(GND)
14	Vcc	5V
15	E2	ENABLE CLOCK 2
16	N.C.	NON CONECTION
17	EL	EL Power Supply Note 1
18	EL	EL Power Supply Note 1

TOLERANCE			THIRD ANGLE PROJECTION	DATE JUN.20'85	OPTREX CORPORATION
MEASURE	A	B			
L≤16	±0.1	±0.3	±1	UNIT mm	DIMENSIONAL OUTLINE
16<L≤63	±0.2	±0.5	±1.5	SCALE 1:1	CODE DMC 40457Series
63<L≤250	±0.3	±0.8	±2	CHECKED T.Ohyama	DWG NO UE-30657
250<L≤500	±0.5	±1.2	±3	DRAWN S.Kobayashi	
500<L	±0.8	±2	±4		
ANGLE	±1°	±5°	±10°		