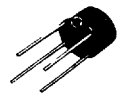



single phase moulded bridges 0,8 Amp to 1,5 Amp
 ponts monophasés moulés 0,8 Amp à 1,5 Amp

Types	VRRM (V)	VRMS recom- mended max (V)	I _d on re- sistive load <i>sur charge résistive</i> (A)	Max Fwd Voltage (a) Ta = 25 °C		I _{dsm} / I _{fsm} (A)	I _R per diode @ V _R		Case
				V _F	I _o		25 °C	125 °C	
				(V)	(A)		(µA)	(mA)	


« FB SERIE » 0,8 AMP

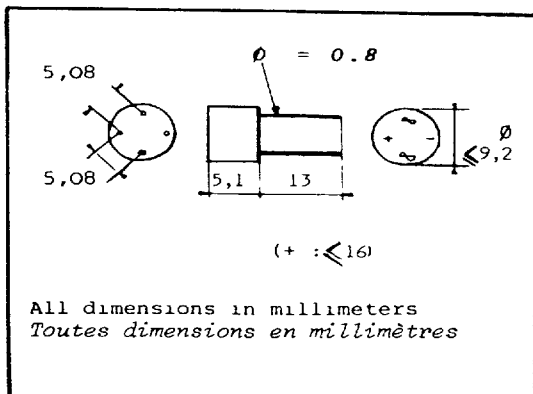
FBD 08 FBH 08	400 800	150 380	0,8 0,8	10 10	0,8 0,8	25 25	10 10	1 1	 CB-198 R
------------------	------------	------------	------------	----------	------------	----------	----------	--------	---

« FB SERIE » 1 AMP

FBD 10 FBH 10	400 800	150 380	1 1	10 10	10 10	45 45	10 10	1 1	 CB-198 R
------------------	------------	------------	--------	----------	----------	----------	----------	--------	--

« FB SERIE » 1,5 AMP

FBD 15 FBH 15	400 800	150 380	1,5 1,5	10 10	15 15	50 50	10 10	1 1	 CB-198 R
------------------	------------	------------	------------	----------	----------	----------	----------	--------	---



FACON SEMICONDUCTEURS/SEMICONDUCTORS

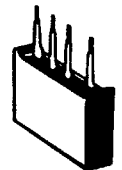
single phase moulded bridges 3 to 6 Amp
 ponts monophasés moulés 3 à 6 Amp

Types	VRRM (V)	VRMS recom- mended max (V)	I _d on re- sistive load <i>sur charge résistive</i> (A)	I _d on ca- pacitive load <i>sur charge capacitive</i> (A)	Max Fwd Voltage (a) T _a = 25 °C		I _{dsm} / I _{fsm} (A)	I _R per diode @ V _R		R min. ()	C max. (uF)	Case
					V _F (V)	I _O (A)		25 °C (uA)	125 °C (mA)			

3 A / T_{amb} = 70 °C

T_{amb} *
45 °C

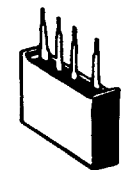
T_{amb} *
45 °C

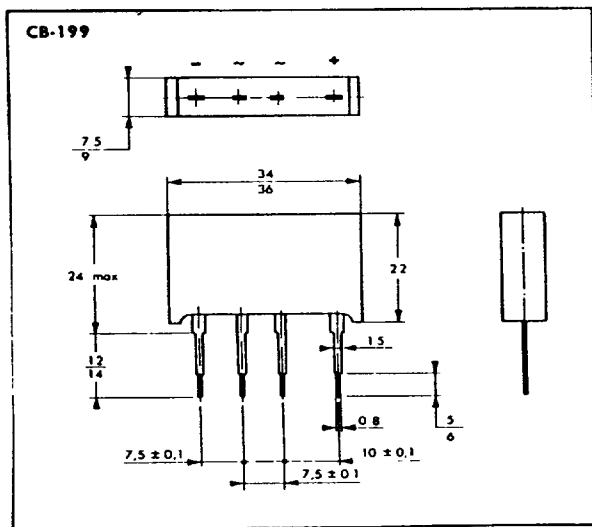
BY 204 115 / B 20 C 3 200/2 200	50	25	4	3.3	1.2	2.0	150	10	1	0.25	20000	 CB-199
BA 204 115 / B 40 C 3 200/2 200	100	50	4	3.3	1.2	2.0	150	10	1	0.5	10000	
BB 204 115 / B 80 C 3 200/2 200	200	80	4	3.3	1.2	2.0	150	10	1	0.8	7000	
BD 204 115 / B 125 C 3 200/2 200	400	150	4	3.3	1.2	2.0	150	10	1	1.5	5000	
BF 204 115 / B 250 C 3 200/2 200	600	250	4	3.3	1.2	2.0	150	10	1	2.5	2000	
BH 204 115 / B 380 C 3 200/2 200	800 900	380	4	3.3	1.2	2.0	150	10	1	3.5	1000	

6 A / T_{amb} = 25 °C

T_{amb} *
25/45 °C

T_{amb} *
25/45 °C

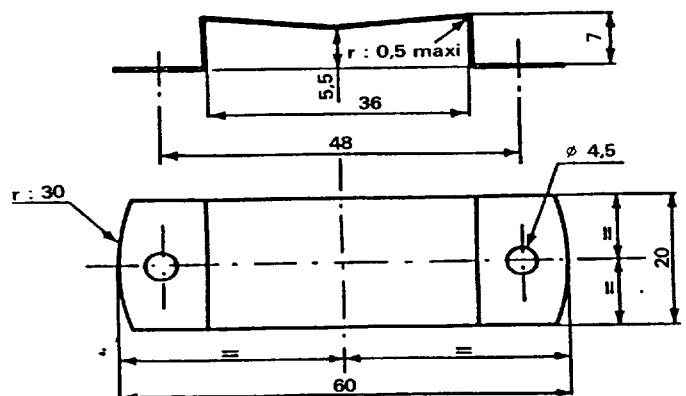
BY 38 115 / B 20 C 5 000/3 300	50	25	6/5	5/4	1.1	3	250	10	1	0.25	20000 20000	 CB-199
BA 38 115 / B 40 C 5 000/3 300	100	50	6/5	5/4	1.1	3	250	10	1	0.5	10000	
BB 38 115 / B 80 C 5 000/3 300	200	80	6/5	5/4	1.1	3	250	10	1	0.8	7000	
BD 38 115 / B 125 C 5 000/3 300	400	150	6/5	5/4	1.1	3	250	10	1	1.5	5000	
BF 38 115 / B 250 C 5 000/3 300	600	250	6/5	5/4	1.1	3	250	10	1	2.5	2000	
BH 38 115 / B 380 C 5 000/3 300	800 900	380	6/5	5/4	1.1	3	250	10	1	3.5	1000	



Dimensions in millimeters

Bride de fixation sur châssis réf 12367

échelle 1
cotes en mm



FACON SEMICONDUCTEURS/SEMICONDUCTORS

moulded single phase bridges 10 A to 35 A
ponts monophasés moulés 10 A à 35 A

Types	VRRM (V)	VRMS recommended max (V)	I _d on re- sistive load <i>sur charge résistive</i> (A)	Max Fwd Voltage (a) T _a = 25 °C		I _{dsm} / I _{fsm} (A)	I _R per diode @ V _R		Use <i>Function</i>	Case
				V _F (V)	I _o (A)		25 °C (µA)	125 °C (mA)		

10 A T_{case} = 80 °C

BY 36 933	50	25	10	1.2	5	200	100	1		
BA 36 933	100	50	10	1.2	5	200	100	1		
BB 36 933	200	80	10	1.2	5	200	100	1		
BD 36 933	400	150	10	1.2	5	200	100	1		
BF 36 933	600	250	10	1.2	5	200	100	1		
BH 36 933	800	380	10	1.2	5	200	100	1		
BJ 36 933	1000	410	10	1.2	5	200	100	1		
BL 36 933	1200	440	10	1.2	5	200	100	1		

15 A T_{case} = 75 °C

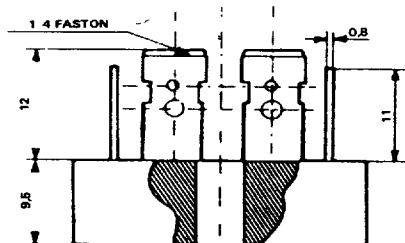
BY 38 933	50	25	15	1.1	7.5	240	100	1		
BA 38 933	100	50	15	1.1	7.5	240	100	1		
BB 38 933	200	80	15	1.1	7.5	240	100	1		
BD 38 933	400	150	15	1.1	7.5	240	100	1		
BF 38 933	600	250	15	1.1	7.5	240	100	1		
BH 38 933	800	380	15	1.1	7.5	240	100	1		
BJ 38 933	1000	410	15	1.1	7.5	240	100	1		
BL 38 933	1200	440	15	1.1	7.5	240	100	1		

25 A T_{case} = 60 °C

BY 37 933	50	25	25	1.05	12.5	300	100	1		
BA 37 933	100	50	25	1.05	12.5	300	100	1		
BB 37 933	200	80	25	1.05	12.5	300	100	1		
BD 37 933	400	150	25	1.05	12.5	300	100	1		
BF 37 933	600	250	25	1.05	12.5	300	100	1		
BH 37 933	800	380	25	1.05	12.5	300	100	1		
BJ 37 933	1000	410	25	1.05	12.5	300	100	1		
BL 37 933	1200	440	25	1.05	12.5	300	100	1		

35 A T_{case} = 55 °C

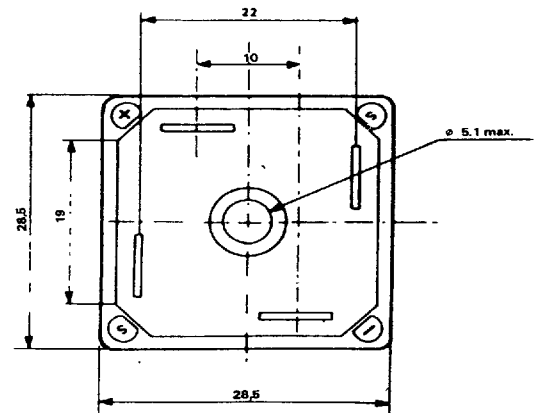
BY 39 933	50	25	35	1.05	17.5	400	100	1		
BA 39 933	100	50	35	1.05	17.5	400	100	1		
BB 39 933	200	80	35	1.05	17.5	400	100	1		
BD 39 933	400	150	35	1.05	17.5	400	100	1		
BF 39 933	600	250	35	1.05	17.5	400	100	1		
BH 39 933	800	380	35	1.05	17.5	400	100	1		
BJ 39 933	1000	410	35	1.05	17.5	400	100	1		
BL 39 933	1200	440	35	1.05	17.5	400	100	1		



Recommended stud torque
Couple de serrage recommandé : 4 m. N

Marking : type number
Marquage : n° du type

Weight : 20 g
Masse



FACON SEMICONDUCTEURS/SEMICONDUCTORS

single phase moulded bridges 10 A to 50 Amp
ponts monophasés moulés 10 A à 50 Amp

Types	VRRM (V)	VRMS recom- mended max (V)	I _d on re- sistive load <i>sur charge résistive</i> (A)	Max Fwd Voltage (a) T _a = 25 °C		I _{dsm} / I _{fsm} (A)	I _R per diode @ V _R		Use <i>Fonction</i>	Case
				V _F (V)	I _o (A)		25 °C (µA)	125 °C (mA)		

10 A T_{case} = 80 °C

BY 36 931	50	25	10	12	5	200	100	1			
BA 36 931	100	50	10	12	5	200	100	1			
BB 36 931	200	80	10	12	5	200	100	1			
BD 36 931	400	150	10	12	5	200	100	1			
BF 36 931	600	250	10	12	5	200	100	1			
BH 36 931	800	380	10	12	5	200	100	1			
BJ 36 931	1000	410	10	12	5	200	100	1			
BL 36 931	1200	440	10	12	5	200	100	1			
CB-200											

15 A T_{case} = 80 °C

BY 38 931	50	25	15	11	7.5	240	100	1			
BA 38 931	100	50	15	11	7.5	240	100	1			
BB 38 931	200	80	15	11	7.5	240	100	1			
BD 38 931	400	150	15	11	7.5	240	100	1			
BF 38 931	600	250	15	11	7.5	240	100	1			
BH 38 931	800	380	15	11	7.5	240	100	1			
BJ 38 931	1000	410	15	11	7.5	240	100	1			
BL 38 931	1200	440	15	11	7.5	240	100	1			
CB-200											

25 A T_{case} = 60 °C

BY 37 931 E	50	25	25	105	12.5	300	100	1			
BA 37 931 E	100	50	25	105	12.5	300	100	1			
BB 37 931 E	200	80	25	105	12.5	300	100	1			
BD 37 931 E	400	150	25	105	12.5	300	100	1			
BF 37 931 E	600	250	25	105	12.5	300	100	1			
BH 37 931 E	800	380	25	105	12.5	300	100	1			
BJ 37 931 E	1000	410	25	105	12.5	300	100	1			
BL 37 931 E	1200	440	25	105	12.5	300	100	1			
CB-200											

35 A T_{case} = 55 °C

BY 39 931	50	25	35	1	17.5	400	100	1			
BA 39 931	100	50	35	1	17.5	400	100	1			
BB 39 931	200	80	35	1	17.5	400	100	1			
BD 39 931	400	150	35	1	17.5	400	100	1			
BF 39 931	600	250	35	1	17.5	400	100	1			
BH 39 931	800	380	35	1	17.5	400	100	1			
BJ 39 931	1000	410	35	1	17.5	400	100	1			
BL 39 931	1200	440	35	1	17.5	400	100	1			
CB-200											

40 A T_{case} = 60 °C

BY 41 931	50	25	40	1	20	400	100	1			
BA 41 931	100	50	40	1	20	400	100	1			
BB 41 931	200	80	40	1	20	400	100	1			
BD 41 931	400	150	40	1	20	400	100	1			
BF 41 931	600	250	40	1	20	400	100	1			
BH 41 931	800	380	40	1	20	400	100	1			
BJ 41 931	1000	410	40	1	20	400	100	1			
BL 41 931	1200	440	40	1	20	400	100	1			
CB-200											

50 A T_{case} = 60 °C

BY 40 931	50	25	50	11	25	500	100	1			
BA 40 931	100	50	50	11	25	500	100	1			
BB 40 931	200	80	50	11	25	500	100	1			
BD 40 931	400	150	50	11	25	500	100	1			
BF 40 931	600	250	50	11	25	500	100	1			
BH 40 931	800	380	50	11	25	500	100	1			
BJ 40 931	1000	410	50	11	25	500	100	1			
BL 40 931	1200	440	50	11	25	500	100	1			
CB-200											

moulded three phase bridges 25 A to 50 A
 ponts triphasés moulés 25 A à 50 A

Types	VRRM (V)	VRMS recom- mended max (V)	Id on re- sistive load <i>sur charge résistive</i> (A)	Max Fwd Voltage (a) Ta = 25 °C		Idsm/ Ifsm (A)	IR per diode @ VR		Use Fonction	Case
				VF	Io		25 °C	125 °C		
				(V)	(A)		(µA)	(mA)		

25 A Tcase = 60 °C

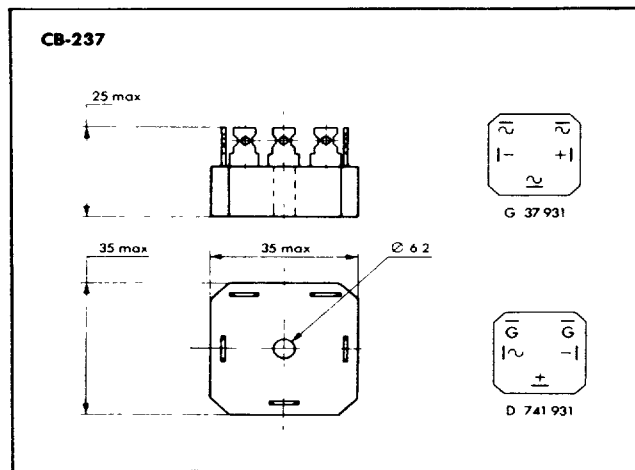
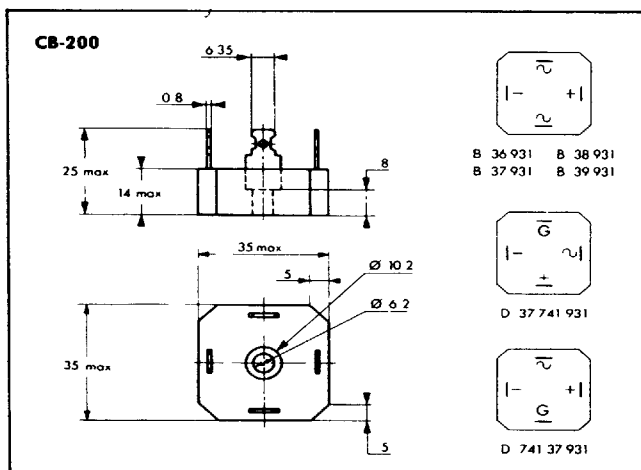
GY 37 931	50	25	25	1	8	400	100	1		
GA 37 931	100	50	25	1	8	400	100	1		
GB 37 931	200	80	25	1	8	400	100	1		
GD 37 931	400	150	25	1	8	400	100	1		
GF 37 931	600	250	25	1	8	400	100	1		
GH 37 931	800	380	25	1	8	400	100	1		
GJ 37 931	1000	410	25	1	8	400	100	1		
GL 37 931	1200	440	25	1	8	400	100	1		

35 A Tcase = 55 °C

GY 39 931	50	25	35	1	12	400	100	1		
GA 39 931	100	50	35	1	12	400	100	1		
GB 39 931	200	80	35	1	12	400	100	1		
GD 39 931	400	150	35	1	12	400	100	1		
GF 39 931	600	250	35	1	12	400	100	1		
GH 39 931	800	380	35	1	12	400	100	1		
GJ 39 931	1000	410	35	1	12	400	100	1		
GL 39 931	1200	440	35	1	12	400	100	1		

50 A Tcase = 60 °C

GY 40 931	50	25	50	1	17	400	100	1		
GA 40 931	100	50	50	1	17	400	100	1		
GB 40 931	200	80	50	1	17	400	100	1		
GD 40 931	400	150	50	1	17	400	100	1		
GF 40 931	600	250	50	1	17	400	100	1		
GH 40 931	800	380	50	1	17	400	100	1		
GJ 40 931	1000	410	50	1	17	400	100	1		
GL 40 931	1200	440	50	1	17	400	100	1		



Dimensions in millimeters